

AT MICROFICHE
REFERENCE
LIBRARY

A project of Volunteers in Asia

Better Farming Series No. 20, Upland Rice

Published by:

Food and Agriculture Organization of the
United Nations
Via delle Terme di Caracalla
00100 Rome
Italy

Paper copies are \$ 1.50.

Available from:

UNIPUB
P.O. Box 433
Murray Hill Station
New York, NY 10157 USA

Reproduced by permission of the Food and
Agriculture Organization of the United Nations.

Reproduction of this microfiche document in any
form is subject to the same restrictions as those
of the original document.

upland rice



FOOD AND AGRICULTURE ORGANIZATION OF THE UNITED NATIONS

BETTER FARMING SERIES

Twenty-six titles have been published in this series, designed as handbooks for a two-year intermediate level agricultural education and training course. They may be purchased as a set or as individual documents.

FIRST YEAR

1. The plant: the living plant; the root
2. The plant: the stem; the buds; the leaves
3. The plant: the flower
4. The soil: how the soil is made up
5. The soil: how to conserve the soil
6. The soil: how to improve the soil
7. Crop farming
8. Animal husbandry: feeding and care of animals
9. Animal husbandry: animal diseases; how animals reproduce

SECOND YEAR

10. The farm business survey
11. Cattle breeding
12. Sheep and goat breeding
13. Keeping chickens
14. Farming with animal power
15. Cereals
16. Roots and tubers
17. Groundnuts
18. Bananas
19. Market gardening
20. Upland rice
21. Wet paddy or swamp rice
22. Cocoa
23. Coffee
24. The oil palm
25. The rubber tree
26. The modern farm business

upland rice

**Published by arrangement with the
Institut africain pour le développement économique et social
B.P. 8008, Abidjan, Côte d'Ivoire**

FOOD AND AGRICULTURE ORGANIZATION OF THE UNITED NATIONS

Rome 1977

First printing 1970
Second printing 1972
Third printing 1977

P-69
ISBN 92-5-100621-0

**© French edition, Institut africain pour
le développement économique et social (INADES) 1967**

© English edition, FAO 1970

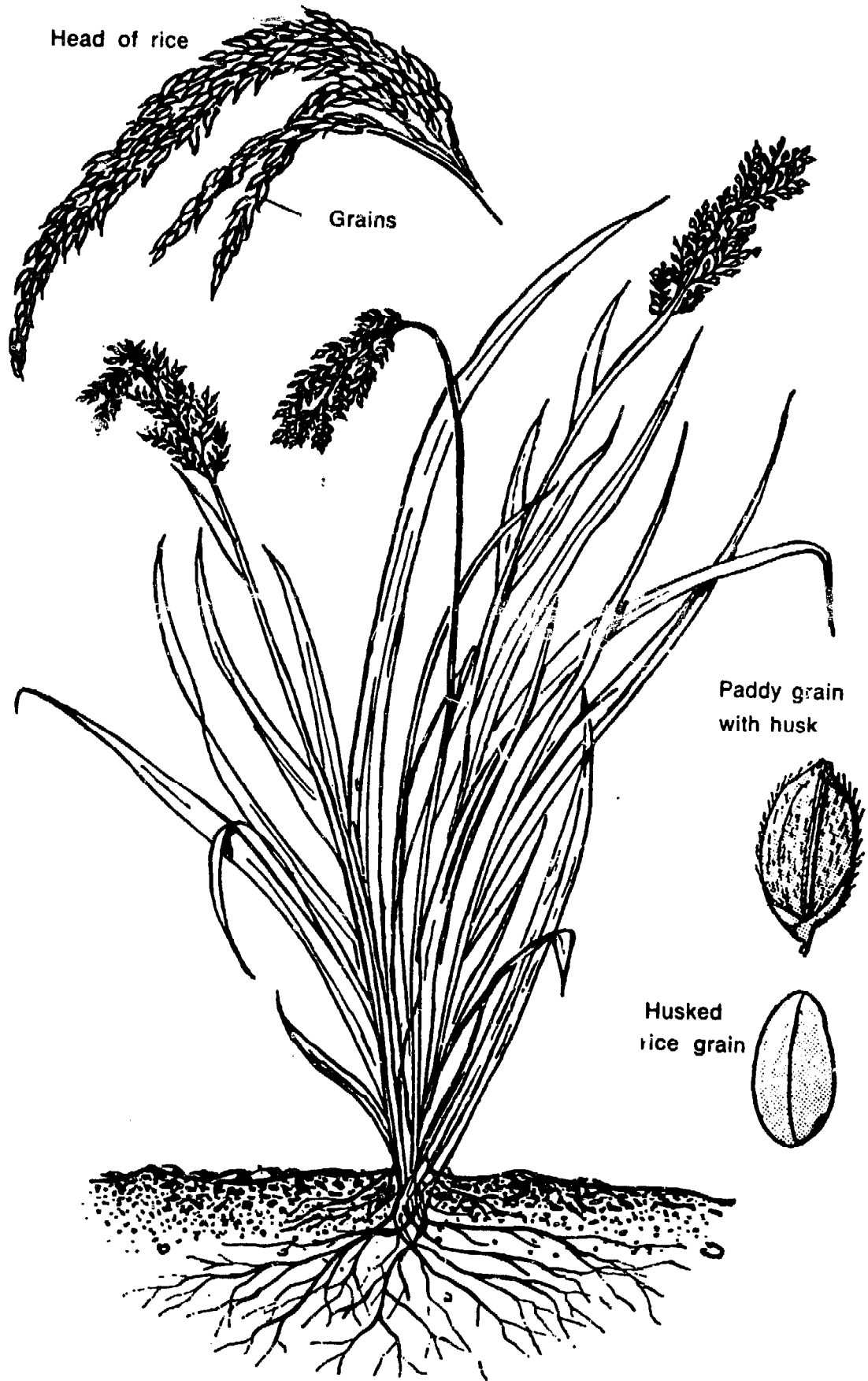
PREFACE

This manual is a translation and adaptation of "Le riz pluvial," published by the Agri-Service-Afrique of the Institut africain pour le développement économique et social (INADES), and forms part of a series of 26 booklets. Grateful acknowledgement is made to the publishers for making available this text, which it is hoped will find widespread use at the intermediate level of agricultural education and training in English-speaking countries.

It should be noted that the original texts were prepared for an African environment and this is naturally reflected in the English version. However, it is expected that many of the manuals of the series — a list of which will be found on the inside front cover — will also be of value for training in many other parts of the world. Adaptations can be made to the text where necessary owing to different climatic and ecological conditions.

Applications for permission to issue this manual in other languages are welcomed. Such applications should be addressed to: Director, Publications Division, Food and Agriculture Organization of the United Nations, Via delle Terme di Caracalla, 00100 Rome, Italy.

The author of this English version is Mr. A.J. Henderson, former Chief of the FAO Editorial Branch.

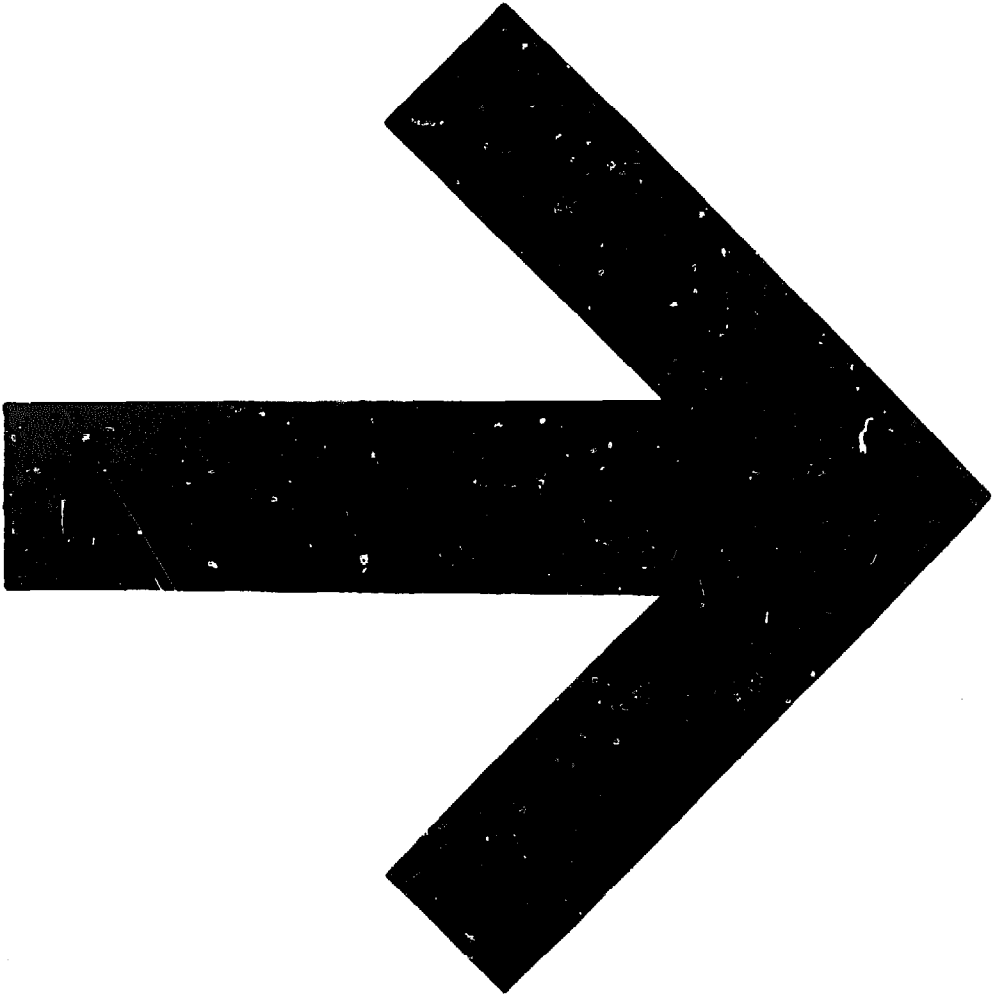


Head of rice

Grains

Paddy grain
with husk

Husked
rice grain



OUTLINE OF COURSE

● People need more rice to eat	3
Traditional cultivation of upland rice	4
Disadvantages of traditional cultivation	4
● How to improve upland rice cultivation	6
● Using new implements	7
Preparing the soil	8
Sowing	12
Cultivating	18
● Using fertilizers	20
Why apply manure or chemical fertilizers?	21
What fertilizers to use	23
Organic manure and chemical fertilizers	23
● Harvesting	25
● Suggested question paper	30

PEOPLE NEED MORE RICE TO EAT

- 1. In many parts of the world people eat a lot of rice.**
But nowadays more people eat more rice than in the past.

Rice is a very good food.

In order to live, digest, work, resist the cold and the heat, people need foods that give them strength. These are called energy foods.

Rice is an excellent energy food.

Rice keeps well.

Rice does not rot if it is protected from damp.

Rice can be kept a very long time if it is protected from rats and insects.

- 2. But some regions do not produce enough rice.**
Nearly all the countries of Africa have to buy rice abroad.

The countries of Africa spend on rice imports a lot of money that could be used in other ways.

If Africa produced more rice, it could sell rice to other countries with a large rice-eating population. In this way Africa could earn more money.

- 3. Farmers must therefore produce more rice.**

There are many regions of Africa, for example, where rice can be grown: along the banks of streams and rivers, around dams, at the bottom of valleys.

But in order to increase rice production, it is necessary to adopt modern methods of rice cultivation.

In this booklet, we shall speak only about upland rice cultivation. In Booklet 21, we speak about wet paddy rice cultivation.

The two methods of cultivation are quite different.

TRADITIONAL CULTIVATION OF UPLAND RICE

- 4. Farmers work only with the hoe.**
They do not prepare the soil properly.

Farmers apply neither manure nor fertilizers: the rice takes all the mineral salts out of the soil and the soil soon loses its fertility.

After 2 or 3 years of rice crops, the soil must be left fallow, to rest.

This means that new fields have to be cleared. With the traditional method of growing rice, farmers have little work to do, but they produce and sell little rice.

Yields are low.

DISADVANTAGES OF TRADITIONAL CULTIVATION

- 5. Traditional methods use simple tools only.**
When farmers have burned the brush and cleared the field, they cannot prepare the soil properly, because they use only a hoe.
They can only scratch the earth and mix the ashes into the soil.
Like this, farmers cannot get a good harvest.

Brush fires ruin the soil.

Fire destroys the organic matter. It is true that the ashes enrich the soil, but the burned vegetation produces no humus and does not improve the soil structure.

Fire leaves the soil bare: erosion is more severe.

The soil is not loosened.

Water and air do not penetrate into the soil. Roots cannot go deep enough into the soil to take up water and mineral salts.

The plants are not well nourished.

They do not produce many large grains of rice.

The harvest is not plentiful.

6. No fertilizers are applied.

When a piece of land bears a crop for the first time, the plants take up all the mineral salts for their nourishment.

The soil soon becomes very poor.

After two or three years, the field must be left fallow. It takes a long time until the soil is again fertile.

Farmers have to leave the old fields fallow and to look for new fields: this is called shifting cultivation.

7. It is time to stop shifting cultivation.

With shifting cultivation, a great deal of land is unused and yields no crop.

With shifting cultivation, farmers have to do a lot of work in clearing new fields every year. They often lose much time when crops should be sown.

The population is increasing.

Bigger harvests are needed to feed it.

There is a very modern method of growing rice. But farmers cannot adopt this modern method at once: they have not enough tools and not enough money.

HOW TO IMPROVE UPLAND RICE CULTIVATION

8. Farmers can use new implements.

With animals and a plough the soil can be prepared better and more quickly. It is also possible to cultivate larger fields.

On a well-prepared soil the seed can be sown in rows. This makes it easier to remove weeds.

By preparing the soil, sowing in rows and weeding, yields can be greatly increased, even doubled.

9. They can apply manure and fertilizers.

Once farmers have used new tools they get a bigger harvest and more money. With the money they earn, the farmers can buy fertilizers.

If the plants are given manure or fertilizer, they will be well nourished. The harvest will be bigger, and the soil keeps its fertility. The same fields can grow crops for a longer time.

Once the farmers use new tools and also apply manure and fertilizers, they are growing upland rice by very modern methods.

10. They can protect the rice against pests.

It is difficult to keep off the rats and the birds. You can have a watchman near the field. Noise can frighten the birds away. Rice fields must be watched especially at the time when the grain begins to ripen.

There are also certain insects that damage rice, for example, rice borers, which lay their eggs on the leaves. When they grow, they eat through the stem. When the stems go white, apply BHC (benzene hexachloride) and Aldrin, a product which can kill these insects. Ask your extension service for this product.

USING NEW IMPLEMENTS

11. A plough, a harrow and a hoe drawn by animals help you work better and more quickly.

You can cultivate larger fields.

This will give you a more plentiful harvest.

Every year, you will earn a little more money. That way, you can pay for new implements and keep on making new progress.

As these implements are drawn by animals, you use the strength of the animals.

In studying animal husbandry, we have already seen how to use animals.

If you wish to use animal power, read Booklets 8, 9, 11 and 14 of this series.

Now we shall study how to plough, sow and cultivate. **With good ploughing, good sowing, and several cultivations, you will get much more plentiful harvests.**

12. With a plough and a harrow the soil is better prepared.

The plough loosens the soil and tills it more deeply. The roots of the rice develop better, the rice gets more nourishment.

The soil is prepared more quickly.

You will be able to sow at the right time. It is very important to sow at the right time.

You will also be able to sow larger fields.

If you sow larger fields at the right time, your rice production will be much larger.

13. A hoe helps to remove weeds more quickly.

Whenever weeds have grown, you can remove them more quickly.

Then the weeds do not take water and mineral salts out of the soil.

The rice can use all the nourishment from the soil.

But in order to cultivate with a hoe, you must sow in rows.

The use of plough and hoe greatly increases the yield.

PREPARING THE SOIL

Most often, rice is sown on a field that has already been cultivated — perhaps after a crop of yams, or groundnuts, or cotton.

The work of clearing the field has already been done before growing yams, or groundnuts or cotton.

14. Tillage.

Before sowing, you must prepare the soil; that is, you must till it.

If you till 15 to 20 centimetres deep, this will stir the earth very well. Do this work with the plough or the hoe.

Tilling loosens the soil; it gets air and water well into the soil.

Tilling enables you to mix the herbage with the soil. When the herbage rots, it makes humus.

On flat land, if a soil has been well loosened by tilling, the water penetrates well and stays for a long time. Therefore, till at the beginning of the rainy season, so that the soil holds the water. This first tilling is very important; do it just as soon as you can move the soil.

Slopes should not be tilled where there is a danger of rain carrying the soil away.

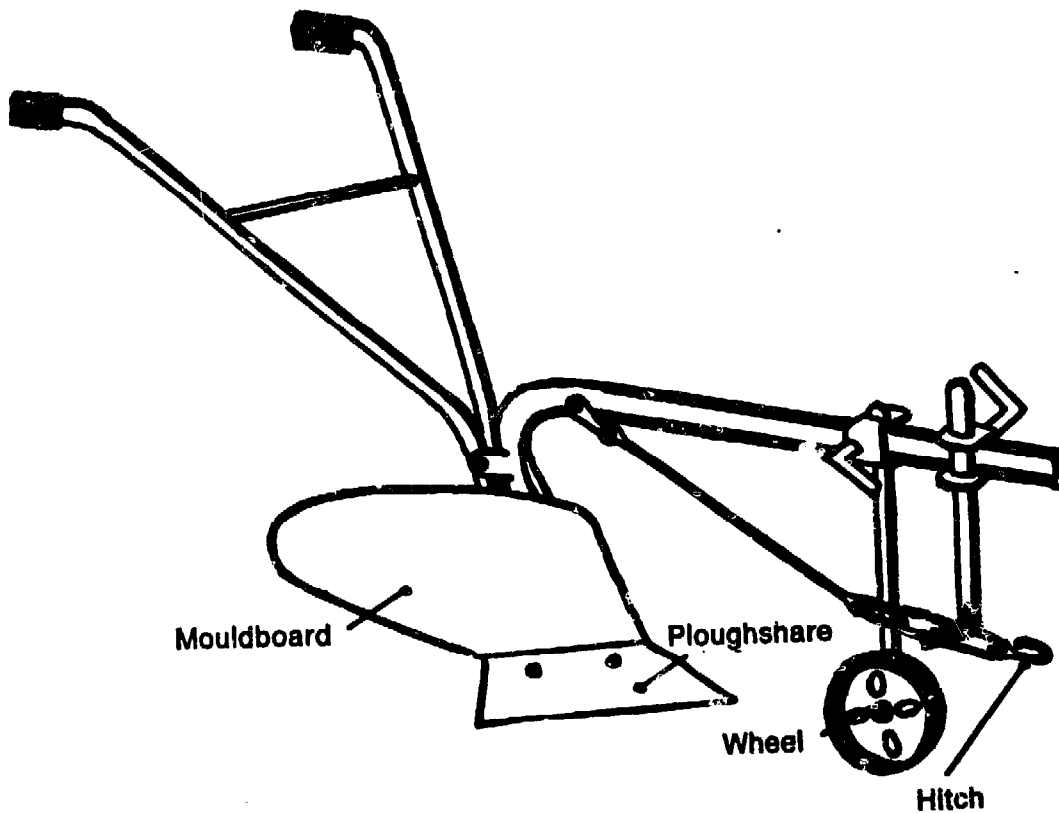
Tilling, or turning the soil over, can be done with the hoe, the spade or the digging fork. But this is slow and tiring work.

Nowadays, people use a plough drawn by donkeys or oxen. This way the work is done better and more quickly.

15. The plough.

Most often, people use a simple plough. The plough consists of a **ploughshare**, a **mouldboard** and **two handles**.

Handles for holding the plough



The plough

16. How to plough.

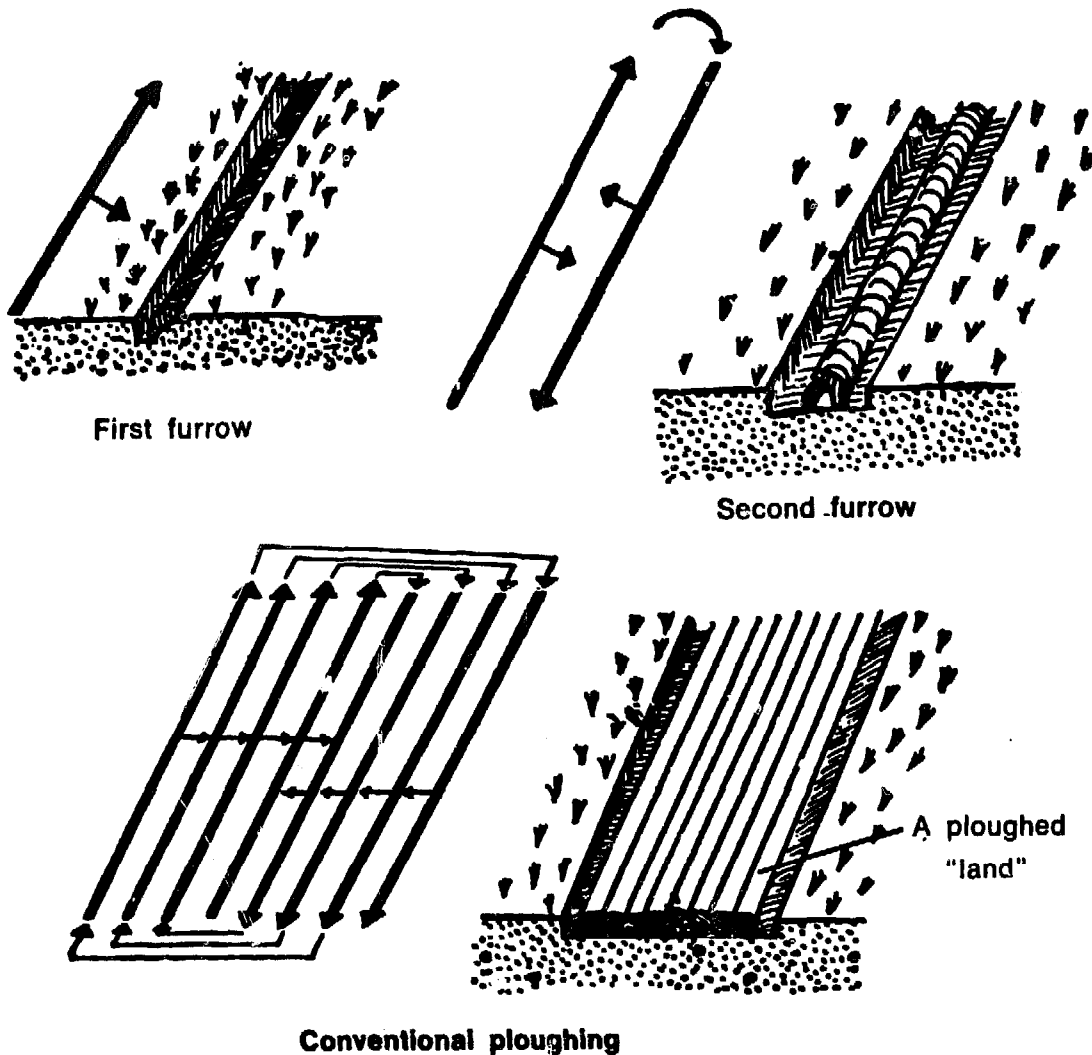
Make a first furrow with the plough across the whole length of the field.

At the end of the field, turn. Make a second furrow alongside the first.

The second strip of ploughed field joins the first.

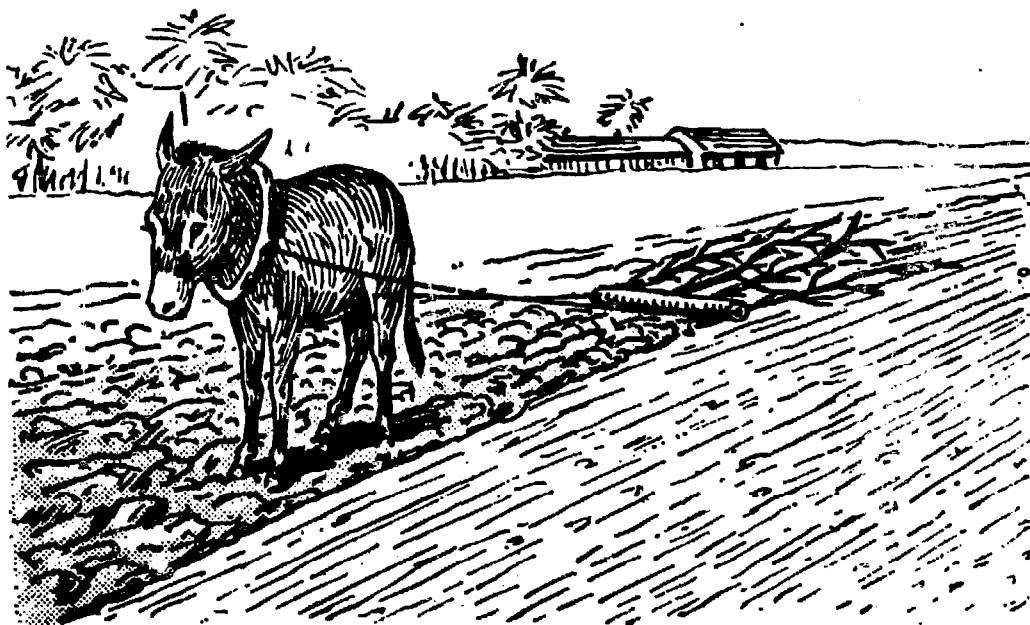
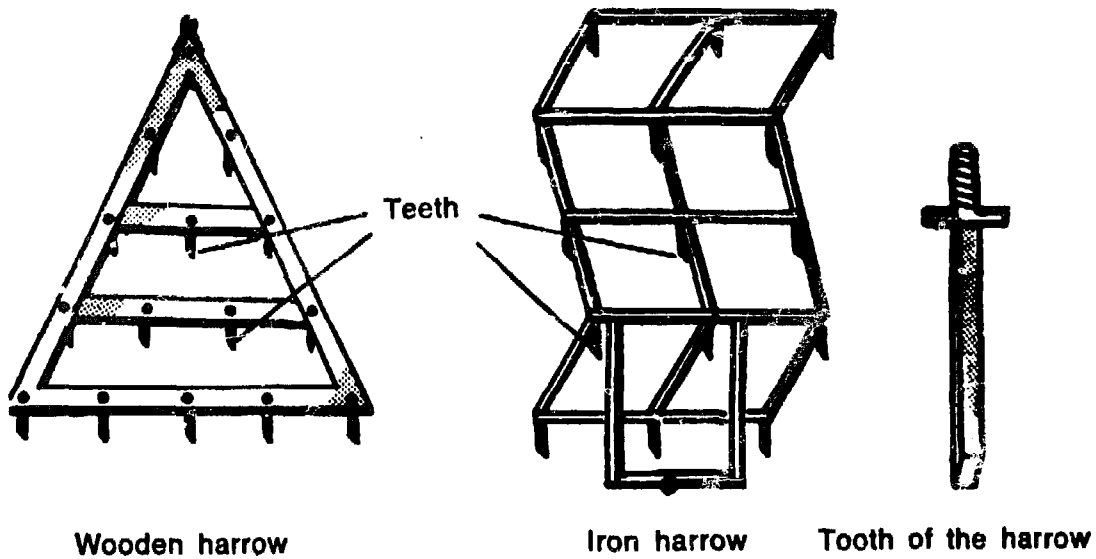
After that, keep turning around the double strip of ploughed field.

This is called conventional ploughing — the field is divided into ploughed lands separated by a furrow.



17. Now the field is well ploughed. But ploughing often does not leave the soil flat. There are **clods of earth**.

These clods of earth are broken up with a harrow. If you do not have a harrow, you can let an animal draw big branches of trees over the field. The branches crush the clods.



SOWING

18. Choosing the seeds.

If you have already grown a rice crop, choose the best seeds from your own harvest. Remove broken rice grains, misshapen grains, and grains attacked by insects.

It is best to use selected seeds.

If you have worked hard to prepare your field very well, you will get a better harvest if your seeds are well chosen.

The extension services and research centres have selected rice varieties best suited to the climate of each region, disease-resisting varieties which provide high yields.

Once you have chosen good seeds, use the finest seeds of your own harvest for sowing in the following years.

19. Disinfecting the seeds.

The disinfectant is available from the extension services. Mix the seeds and the disinfectant very well, so that the disinfectant covers all the seeds.

For example, you might mix 200 grammes of a disinfectant such as Cérégan with 100 kilogrammes of rice seed.

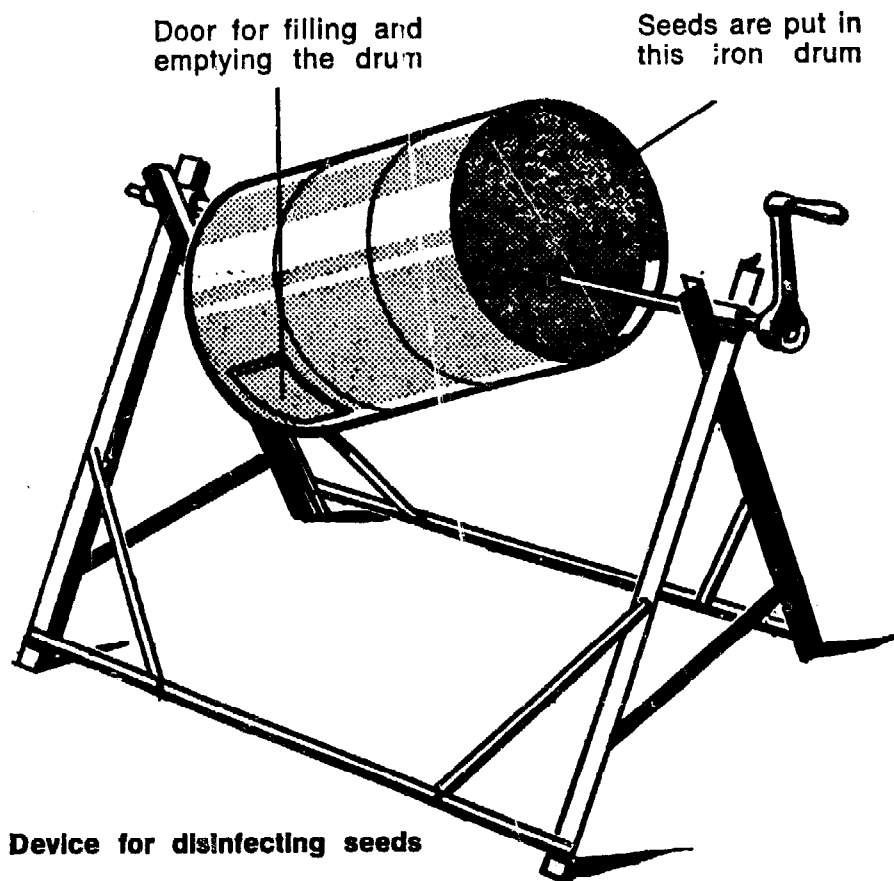
20. Disinfectant is poisonous

Be very careful in using it:

- Wash your hands well after touching the disinfectant.
- Never give disinfected seeds to animals.
- Never leave the disinfectant where children can get at it.

Disinfected seeds are not eaten by insects.
Disinfected seeds do not rot easily.
All the seeds will grow, there will be very few plants missing.

Disinfection makes for good density, and so the yield is better.



21. Sowing in rows.

Farmers have the habit of broadcasting their seed.

If the seed is broadcast, it is very difficult later to remove the weeds.

If the seed is sown in rows, it is easier to remove weeds.

The animal that draws the hoe can walk between the rows.

On flat soil, you can trace your rows with a marker.

Leave 40 centimetres between rows. The spikes of the marker make a little furrow.

In this furrow, put your rice seeds.

Leave 1 to 2 centimetres between seeds.

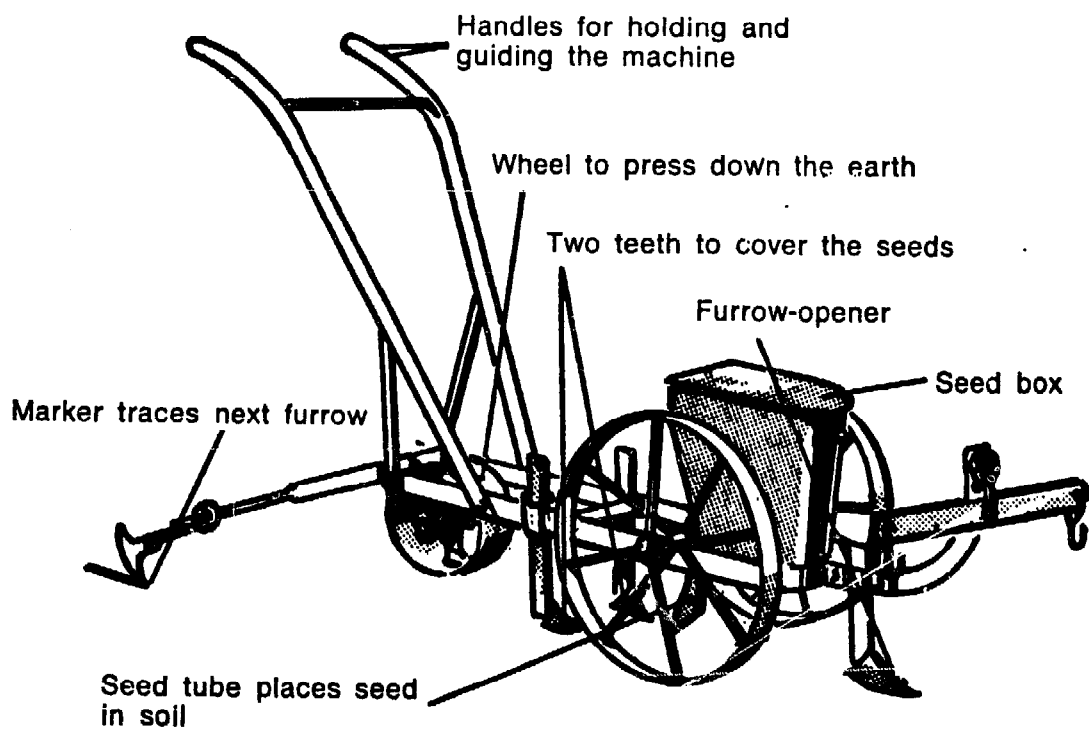
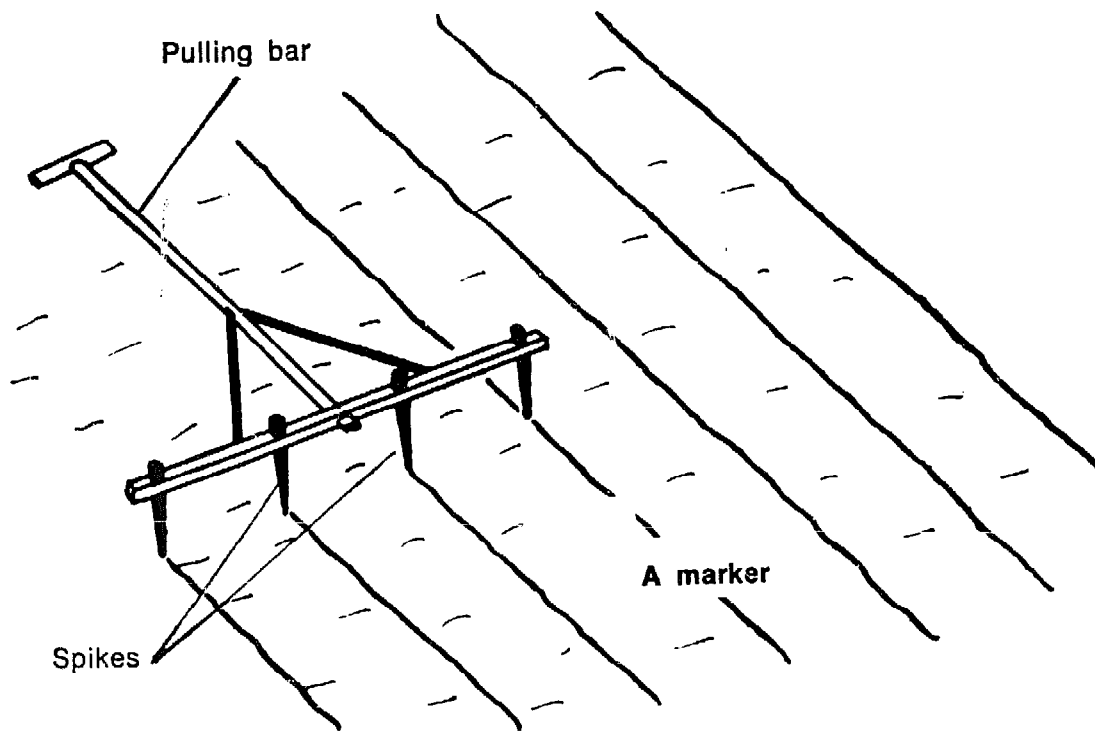
Cover the seeds with a little earth.

You will need between 30 and 50 kilogrammes of seed for 1 hectare.

22. On flat soil you can use a seed-planting machine, called a seed drill.

In several countries people are beginning to use these seed drills, which are drawn by a donkey or by oxen. The seed drill makes a furrow and places the seeds in the soil at the same distance from each other and all at the same depth.

With some seed drills the fertilizer can be applied at the same time.



Seed drill

- 23. If the field is on a slope, make the seed rows along the contour lines and leave barrier strips between the different levels of soil.**

This helps to reduce erosion.

Fast-flowing water carries away some soil.

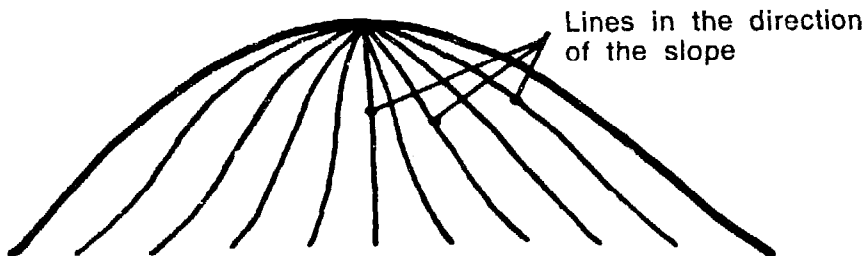
It is dirty water mixed with soil.

When you slow up the water, the soil in the water drops to the ground.

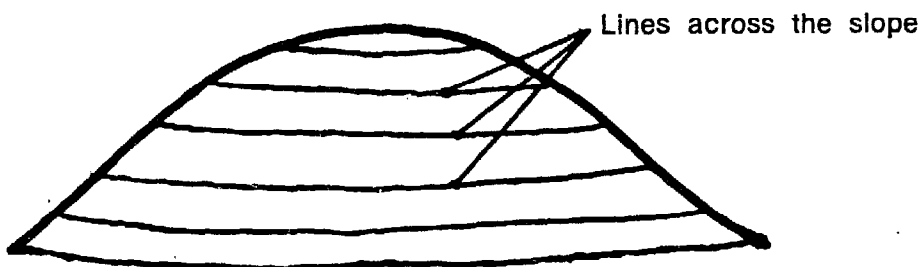
The water becomes cleaner and the soil is not lost.

What is a contour line?

Look at these two drawings.



These lines follow the direction of the slope. Water flows very fast and carries away the soil.



These lines cut across the slope along the contour lines. Water and soil are held back.

A contour line is a line across the slope running always at the same height.

24. What is a barrier strip?

A barrier strip is an uncultivated strip of land.

Grass grows on this strip and holds back the water so that the soil drops to the ground.

The barrier strips must also follow the contour lines.

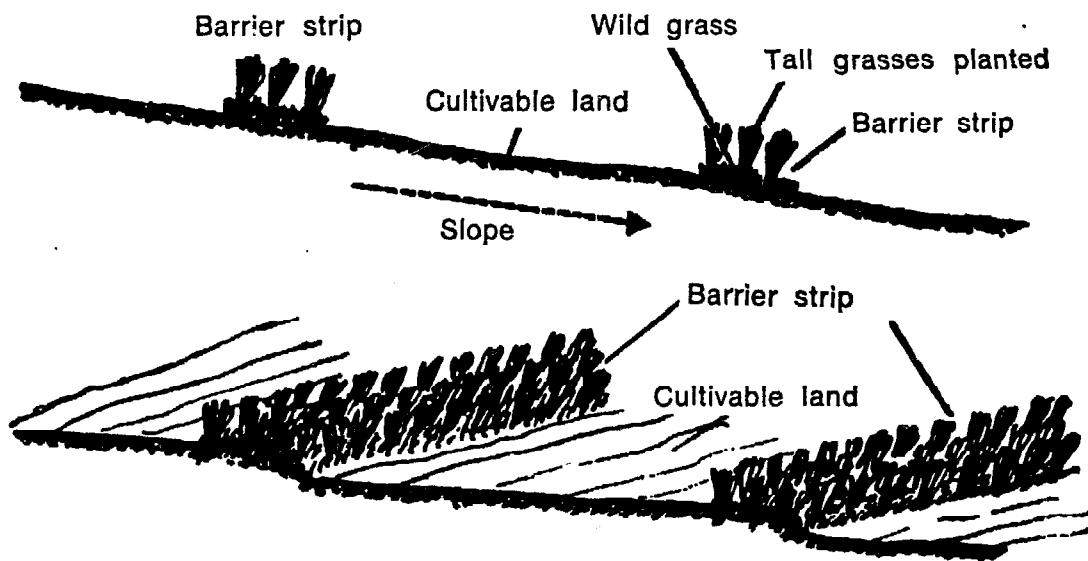
A barrier strip should be about 2 metres wide.

To hold back the water better, you can plant tall grasses.

If the slope is very gentle, you can leave 30 to 40 metres between barrier strips.

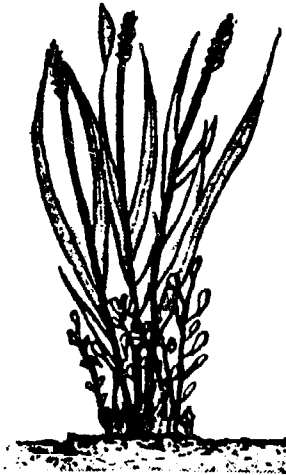
If the slope is steeper, leave only 10 to 20 metres between barrier strips.

Slope



CULTIVATING

Cultivate 15 to 20 days after sowing, and again whenever fresh weeds have grown.



Weeds prevent tillering: there are few panicles of rice



Good weeding encourages tillering: there are many panicles of rice

25. Why cultivations are needed.

Cultivating means removing weeds by hoeing.

Weeds prevent the rice from growing well:

- they take water out of the soil
- they take mineral salts out of the soil.

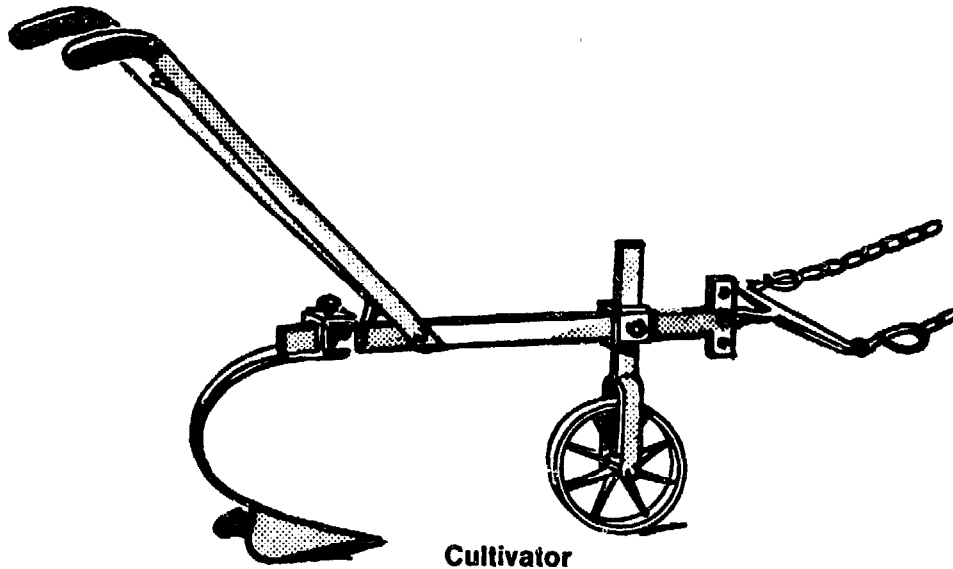
When you cultivate well the buds at the bottom of the main stem can develop and make new stems. This is called tillering.

For every grain you sow, you will get several stems and every stem makes a head or panicle of rice.

26. How to cultivate.

You can cultivate either with a hand hoe or with an animal-drawn cultivator.

With an animal-drawn cultivator, the work is done more quickly and you can cultivate more often.



Side tines have been removed

Whenever you see that weeds have grown, you must remove them.

Pull out the weeds that have grown between the rows. If any weeds grow in the rows, pull them out by hand. Remove the side teeth of the cultivator so that you can pass with it between the rows.

Rice sown on a well-prepared field, at the right time and in rows, and protected by frequent cultivations, will give a good harvest.

USING FERTILIZERS

27. You are now ready for further progress.

If you use new tools and also apply fertilizers, you will be growing upland rice by very modern methods. You have seen how you can make good use of animal-drawn tools.

You can get a good harvest if you:

- till your field well
- sow well
- weed well
- cultivate a larger field.

You will find that you earn more money.

With the money earned from your crop, you can buy fertilizers.

We shall now study how to use fertilizers so that you can earn a lot more money.

If you use fertilizers, you keep the soil fertile or even make it more fertile.

Once you do that, you change from shifting cultivation to continuous cultivation.

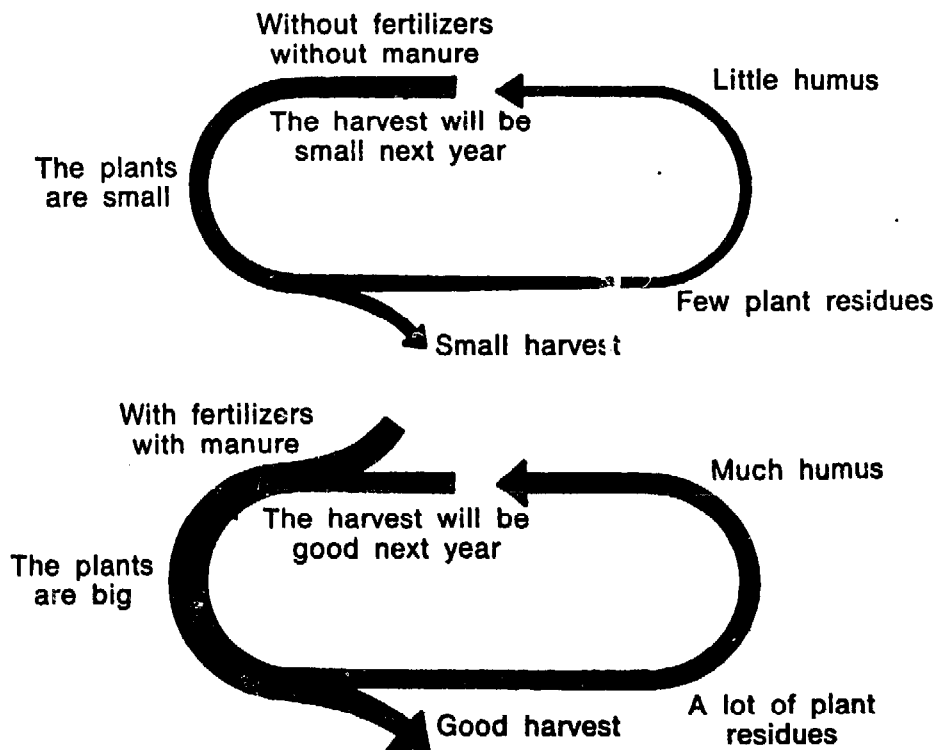
WHY APPLY MANURE OR CHEMICAL FERTILIZERS?

28. To get a good harvest.

If you apply manure or chemical fertilizers to your rice field, the rice will tiller vigorously (see paragraph 25) and bear many grains:
The yield will be good.

29. To keep the soil rich.

Chemical fertilizers give back to the soil the mineral salts which the plants take out.
Manure gives the soil organic matter. It makes humus and improves the soil structure.



30. Chemical fertilizers and manure cost a lot of money.

They will not pay

- **If you grow your crop on too steep a slope**
the mineral salts of the manure and fertilizers are washed away by water together with the soil.
- **If you do not till the soil well**
because in badly prepared soil the roots cannot develop well.
- **If you do not sow selected varieties**
because unimproved varieties use the manure and fertilizers less well.
- **If you do not sow your seeds in rows and at the right time**
because plants sown too late will not yield so well.
- **If you do not cultivate about 3 weeks after sowing and whenever new weeds grow**
because with fertilizers, the weeds grow better. If you do not remove them often, they may take a large part of the nourishment from the rice.
- **If you do not rotate your crops correctly**

After a rice crop, the soil will still have some of the mineral salts added by the manure and the chemical fertilizers.

You must make the right choice of the crop you will grow on the same field after the rice. If possible, choose one that will use the mineral salts still in the soil.

The money earned from a good crop will easily pay for the fertilizers you need.

WHAT FERTILIZERS TO USE

31. Fertilizers are different.

- **according to the crop rotation:**
Plants do not all take the same quantity of each mineral salt out of the soil. Before sowing rice, you must therefore give back to the soil the mineral salts taken out by the preceding crop. **These mineral salts are contained in chemical fertilizers.**
- **according to regions:**
The soils of different regions are often different; they do not contain the same quantity of each mineral salt.
For example, a soil very poor in nitrogen must be given a lot of nitrogen.
You can see that a soil is poor in nitrogen if the young leaves turn yellow.

ORGANIC MANURE AND CHEMICAL FERTILIZERS

32. Organic manures are animal manure and green manure.

Organic manures improve the structure of the soil. Plants grow better in a soil of good structure, and the chemical fertilizers are used better.

Organic manuring should therefore be done at the beginning of the rotation, that is, before growing the first crop on a field.

For example

If in the first year after clearing the field you grow a crop of yams and the second year you grow rice, you must apply organic manure in the first year before you plant your yams.

33. Chemical fertilizers.

You know that the main chemical fertilizers are:

- **Nitrogen (N)**
- **Phosphorus (P)**
- **Potassium (K)**

Rice needs above all nitrogen.

The nitrogen fertilizer most often suitable for the soils of Africa is **ammonium sulfate**.

But rice also needs phosphorus and potassium. If the rice cannot take out of the soil enough phosphorus and potassium, the stems are not strong and so they bend down to the earth so that the grains cannot form and ripen well.

Ask advice from the extension services in your area. They will tell you how much fertilizer to apply to your rice field.

It is best to apply nitrogen, that is, ammonium sulfate, in three separate applications:

For example

If you have to give your field 100 kilogrammes of ammonium sulfate, apply:

- 40 kg before sowing,
- 30 kg after the first cultivation,
- 30 kg when you see the panicles are forming.

Be careful not to let ammonium sulfate get onto the leaves; the fertilizer may burn them.

Phosphoric acid and potassium are applied **before** sowing.

HARVESTING

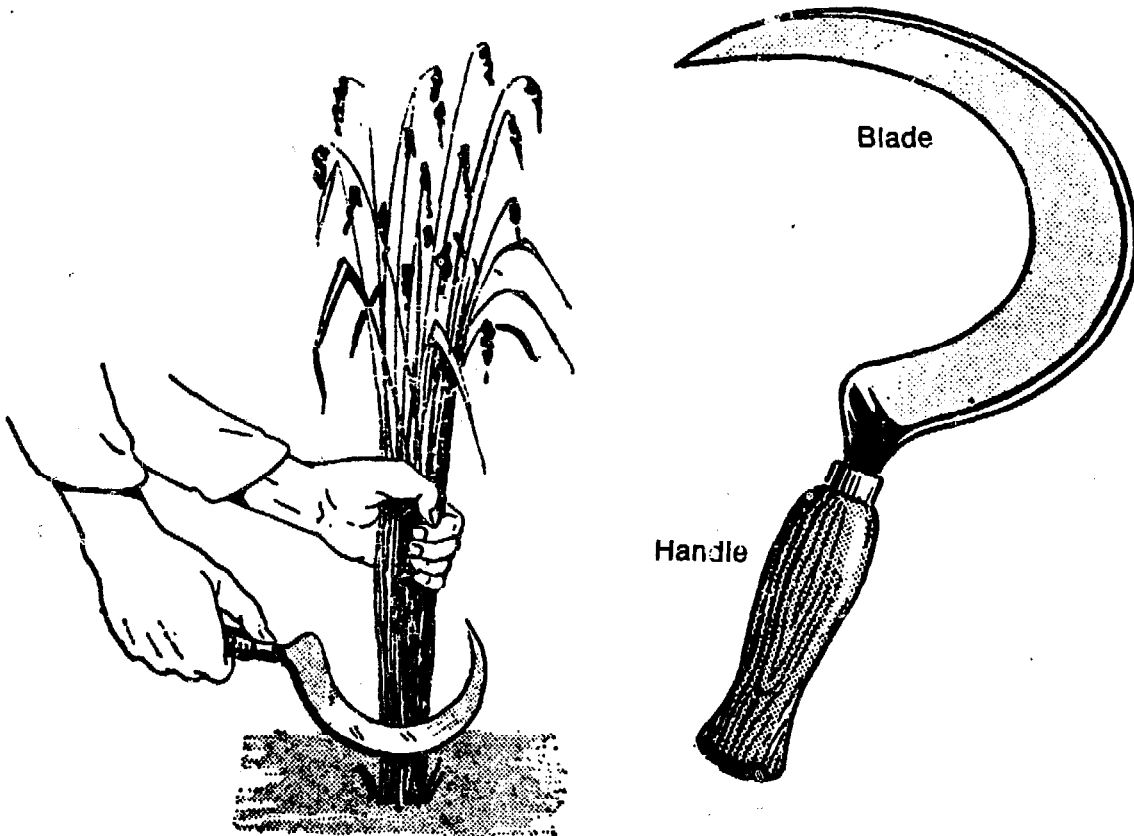
You will get a better price for your rice crop

- **If you cut your rice only when it is ripe**
- **If the rice is well dried and threshed**
- **If it has been well stored.**

34. Cutting.

Cut the rice when it is ripe.

Wait until the heads are almost entirely yellow.
You can cut the rice more quickly with a sickle.



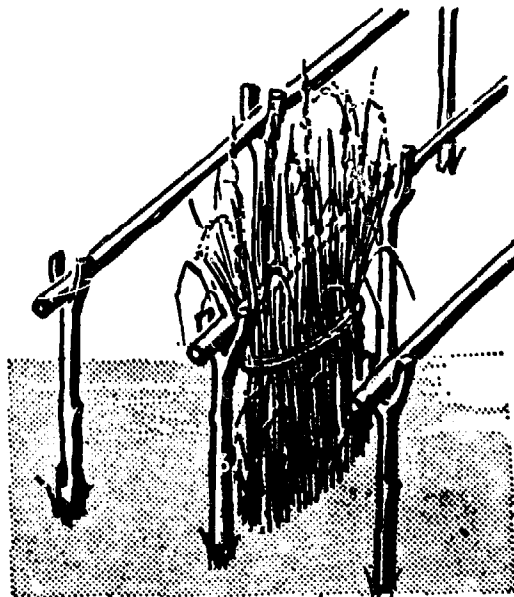
35. Drying.

When you have cut the rice, make sheaves by binding a lot of stems together. There are two ways of drying sheaves well.

Either: Stack the sheaves so that they lean against each other, standing upright with heads upward, and place one sheaf over the top of the heads, so as to protect the grains from the rain;

Or: Lean the sheaves against a stick supported by two poles.

Either way the rice can dry well.
Leave the rice to dry for three or four days before threshing.



Sheaves leaning against a stick supported by 2 poles

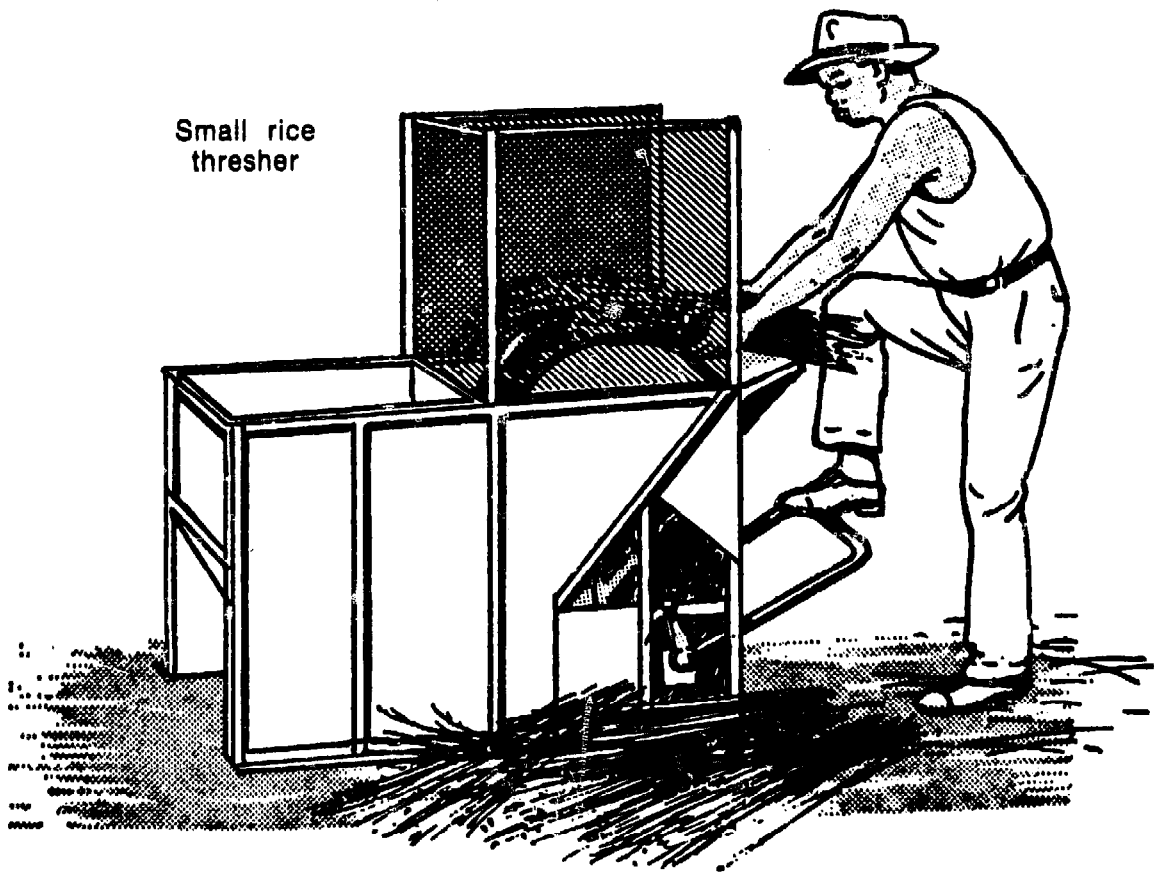
36. Threshing.

There are three ways of threshing well.

Either: Put the rice on a hard piece of ground, very clean and without dust, or covered with mats, and beat the heads with a stick;

Or: Beat the rice against a large stone or a tree trunk;

Or: Use a small thresher. You can join with a few other farmers and buy a small thresher together. In this way the work can be done better and more quickly.



37. Winnowing.

It is important that the rice grains should be very clean, and not mixed up with earth and little stones. When you have threshed your rice, winnow it to make it quite clean.

For winnowing, use a sieve or else pour the rice from one flat bowl into another.



38. Storing.

Rice can be stored either in sacks or in a barn.

The sacks and the barn must be protected

- against damp, which makes the grains rot
- against rats and insects, which eat or spoil the grains.

The barn floor must not touch the ground.
This will keep the rice dry.

The barns must be disinfected.

Ask the local extension service what disinfectants to use and how to apply them: some disinfectants are poisonous.

Rice can be eaten by the family. Rice can also be sold, either on the market or to companies which re-sell it afterwards.

Rice is a crop which can pay well.

SUGGESTED QUESTION PAPER

FILL IN THE MISSING WORDS

You should no longer use the...method of growing rice.

It is best to use... seeds.

An uncultivated strip of land is called a....

... and ... are organic manures.

Rice needs above all....

The rice is cut when....

To thresh rice you can use....

ANSWER THE FOLLOWING QUESTIONS

Why must rice production be increased?

Is much rice grown where you live?

Say why it is better to till the soil with a plough.

How can you break up the clods on the field after ploughing?

How can you control erosion when growing upland rice?

How should a farmer choose his seeds?

Why should shifting cultivation be stopped?

What is a quick and good way of removing weeds?

Why must you apply manure and fertilizers?

How is rice cut where you live? What tool is used?

How is rice threshed where you live?

What is a good way of storing rice?

Is the use of fertilizers always profitable?

What must be done to make the use of fertilizers profitable?

FAO SALES AGENTS AND BOOKSELLERS

Antilles, Netherlands	St. Augustinus Boekhandel, Abraham de Veerstraat 12, Willemstad, Curaçao.
Argentina	Editorial Hemisferio Sur S.R.L., Librería Agropecuaria, Pasteur 743, Buenos Aires.
Australia	Hunter Publications, 58A Gipps Street, Collingwood, Vic. 3066; The Assistant Director, Sales and Distribution, Australian Government Publishing Service, P.O. Box 84, Canberra, A.C.T. 2600, and Australian Government Publications and Inquiry Centres in Canberra, Melbourne, Sydney, Perth, Adelaide and Hobart.
Austria	Gröbld & Co., Buchhandlung und Verlag, Graben 31, 1011 Vienna.
Bangladesh	Agricultural Development Agencies in Bangladesh, P.O. Box 5045, Dacca 5.
Barbados	Cloister Bookstore Ltd., Hincks Street, Bridgetown.
Belgium	Service des publications de la FAO, M.J. De Lannoy, 202 avenue du Roi, 1060 Brussels. CCP 000-0808993-13.
Bolivia	Los Amigos del Libro, Perú 3712, Casilla 450, Cochabamba; Mercado 1315, La Paz; René Moreno 26, Santa Cruz; Junín esq. 6 de Octubre, Oruro.
Brazil	Livraria Mestre Jou, Rua Guaipá 518, São Paulo 10; Rua Senador Dantas 19-S205/206, Rio de Janeiro; PRODIL, Promoção e Dist. de Livros Ltda., Av. Venâncio Aires 196, Caixa Postal 4005, Porto Alegre, RS; Livraria Dom Bosco, Rua 14 de Julho 2818, Caixa Postal 962, Campo Grande, MT; A NOSSA LIVRARIA, CLS 103, Bloco C, Lojas 2/6, Brasília, D.F.; FIMAC, Distribuidora de Livros e Revistas Técnicas Ltda., Praça São Sebastião, Rua 10 de Julho 613, Caixa Postal 199, Manaus, Amazonas; Distribuidora Luso Mercantil, Rua 13 de Maio 524, Caixa Postal 1124, Belém, Pará; G. Lisboa Livros Ltda., Rua Princesa Isabel 129, Recife, PE; Livraria Cometa Distribuidora Ltda., Rua da Independência 46, Salvador, Bahia.
Brunei	MPH Distributors Sdn. Bhd., 71/77 Stamford Road, Singapore 6 (Singapore).
Canada	Renouf Publishing Co. Ltd., 2182 Catherine St. West, Montreal, Que. H3H 1M7.
Chile	Editorial y Librería Universitaria, Casilla 10220, Santiago. Librerías en: Alameda 1050, Santiago; Calle La Torre 2215, Antofagasta; Calle Matta 471, La Serena; Calle Esmeralda 1132, Valparaíso; Calle Constitución 550, Chillán; Galería del Foro, Ciudad Universitaria, Concepción; Calle General Lagos 1107, Valdivia; Calle Bulnes 301, Temuco; Calle Cochrane 545, Osorno.
China	China National Publications Import Corporation, P.O. Box 88, Peking.
Colombia	Litexsa Colombiana Ltda., Calle 55, No 16-44, Apartado Aéreo 51340, Bogotá.
Costa Rica	Librería, Imprenta y Litografía Lehmann S.A., Apartado 10011, San José.
Cuba	Empresa de Comercio Exterior de Publicaciones, Obispo 461, Havana.
Cyprus	MAM, P.O. Box 1722, Nicosia.
Denmark	Ejnar Munksgaard, Nørregade 6, Copenhagen 5.
Dominican Rep.	Fundación Dominicana de Desarrollo, Casa de las Gárgolas, Mercedes 4, Santo Domingo.
Ecuador	Su Librería Cia. Ltda., García Moreno 1172, Apartado 2556, Quito; Calle Chimborazo 416, Guayaquil.
El Salvador	Librería Cultural Salvadoreña S.A., Avenida Morazán 113, Apartado Postal 2296, San Salvador.
Finland	Akateeminen Kirjakauppa, 1 Keuhkatu, Helsinki.
France	Editions A. Pedone, 13 rue Soufflot, 75005 Paris.
Germany, F.R.	Alexander Horn Internationale Buchhandlung, Spiegelgasse 9, Postfach 3340, Wiesbaden.
Ghana	Fides Enterprises, P.O. Box 1628, Accra; Ghana Publishing Corporation, P.O. Box 3632, Accra.
Greece	"Eleftheroudakis", 4 Nikis Street, Athens.
Guatemala	Distribuciones Culturales y Técnicas «Artemis», Quinta Avenida 12-11, Zona 1, Guatemala City.
Guyana	Guyana National Trading Corporation Ltd., 45-47 Water Street, Georgetown.
Haiti	Max Bouchereau, Librairie «A la Caravelle», B.P. 1118, Port-au-Prince.
Honduras	Editorial Nuevo Continente S. de R.L., Avenida Cervantes 1230-A, Apartado Postal 380, Tegucigalpa, D.C.
Hong Kong	Swindon Book Co., 13-15 Lock Road, Kowloon.
Iceland	Snaebjörn Jónsson and Co. h.f., Hafnarstraeti 9, P.O. Box 1131, Reykjavik.
India	Oxford Book and Stationery Co., Scindia House, New Delhi; 17 Park Street, Calcutta.
Indonesia	P.T. Gunung Agung, 6 Kwitang, Djakarta.
Iran	Iran Book Co. Ltd., 127 Nadershah Avenue, P.O. Box 14-1532, Tehran; Economist Tehran, 99 Sevom Esfand Avenue, Tehran (sub-agent).
Iraq	National House for Publishing, Distributing and Advertising, Rashid Street, Baghdad.
Ireland	The Controller, Stationery Office, Dublin.
Israel	Emanuel Brown, P.O. Box 4101, 35 Allenby Road and Nachlat Benyamin Street, Tel Aviv; 9 Shlomzion Hamalka Street, Jerusalem.
Italy	Distribution and Sales Section, Food and Agriculture Organization of the United Nations, Via delle Terme di Caracalla, 00100 Rome; Libreria Scientifica Dott. L. De Biasio "Aeiou", Via Meravigli 16, 20123 Milan; Libreria Commissionaria Sansoni "Licosa", Via Lamarmora 45, C.P. 552, 50121 Florence.

FAO SALES AGENTS AND BOOKSELLERS

Jamaica	Teacher Book Centre Ltd., 95 Church Street, Kingston.
Japan	Maruzen Company Ltd., P.O. Box 5050, Tokyo Central 100-31.
Kenya	Text Book Centre Ltd., P.O. Box 47540, Nairobi.
Korea, Rep. of	The Eul-Yoo Publishing Co. Ltd., 5 2-Ka, Chong-ro, Seoul.
Kuwait	Saeed & Samir Bookstore Co. Ltd., P.O. Box 5445, Kuwait.
Lebanon	Dar Al-Maaref Liban S.A.L., place Riad El-Solh, B.P. 2320, Beirut.
Luxembourg	Service des publications de la FAO, M.J. De Lannoy, 202 avenue du Roi, 1060 Brussels (Belgium).
Malaysia	MPH Distributors Sdn. Bhd., 9A Jalan 14/20, Section 14, Petaling, Jaya.
Mauritius	Nalanda Company Limited, 30 Bourbon Street, Port Louis.
Mexico	Dilitsa S.A., Puebla 182-D, Apartado 24-448, Mexico City 7, D.F.
Morocco	Librairie « Aux Belles Images », 281 avenue Mohammed V, Rabat.
Netherlands	N.V. Martinus Nijhoff, Lange Voorhout 9, The Hague.
New Zealand	Government Printing Office: Government Bookshops at Rutland Street, P.O. Box 5344, Auckland; Mulgrave Street, Private Bag, Wellington; 130 Oxford Terrace, P.O. Box 1721, Christchurch; Princes Street, P.O. Box 1104, Dunedin; Alma Street, P.O. Box 857, Hamilton.
Nicaragua	Incusa-Culturama, Camino de Oriente, Apartado C105, Managua.
Nigeria	University Bookshop (Nigeria) Ltd., University of Ibadan, Ibadan.
Norway	Johan Grundt Tanum Bokhandel, Karl Johansgt. GT 41-43, Oslo 1.
Pakistan	Mirza Book Agency, 65 The Mall, Lahore 3.
Panama	Distribuidora Lewis S.A., Edificio Dorasol, Calle 25 y Avenida Balboa, Apartado 1634, Panama 1.
Peru	Librería Distribuidora Santa Rosa, Jirón Apurímac 375, Casilla 4937, Lima.
Philippines	The Modern Book Company, 928 Rizal Avenue, Manila.
Poland	Ars Polona-Ruch, Krakowskie Przedmiescie 7, Warsaw.
Portugal	Livraria Bertrand, S.A.R.L., Apartado 37, Amadora; Livraria Portugal, Dias y Andrade Ltda., Apartado 2681, Rua do Carmo 70-74, Lisbon-2; Edições ITAU, Avda. República 46A c/v-E, Lisbon-1.
Romania	Hlexim, Calea Grivitei N° 64-66, B.P. 2001, Bucarest.
Saudi Arabia	University Bookshop, Airport Road, P.O. Box 394, Riyadh.
Senegal	Librairie Africa, 58 Av. Georges Pompidou, B.P. 1240, Dakar.
Singapore	MPH Distributors Sdn. Bhd., 71/77 Stamford Road, Singapore 6.
Somalia	" Samater's ", P.O. Box 936, Mogadishu.
Spain	Mundi Prensa Libros S.A., Castelló 37, Madrid 1; Librería Agrícola, Fernando VI 2, Madrid 4.
Sri Lanka	M.D. Gunasena and Co. Ltd., 217 Norris Road, Colombo 11.
Switzerland	Librairie Payot S.A., Lausanne et Genève; Buchhandlung und Antiquariat, Heinemann & Co., Kirchgasse 17, 8001 Zurich.
Surinam	VACO nv in Surinam, P.O. Box 1841, Domineestraat 26/32, Paramaribo.
Sweden	C.E. Fritzes Kungl. Hovbokhandel, Fredsgatan 2, 103 27 Stockholm 16.
Tanzania	Dar es Salaam Bookshop, P.O. Box 9030, Dar es Salaam.
Thailand	Suksapan Panit, Mansion 9, Rajadamnern Avenue, Bangkok.
Togo	Librairie du Bon Pasteur, E.P. 1164, Lomé.
Trinidad and Tobago	The Book Shop, 111 Frederick Street, Port of Spain.
Turkey	Güven Bookstores, Güven Bldg., P.O. Box 145, Müdafaa Cad. 12/5, Kizilay-Ankara; Güven Ari Bookstores, Ankara Cad. No. 45, Cağaloğlu-Istanbul; Güven Bookstore, S.S.K. Konak Tesisleri P-18, Konak-Izmir.
United Kingdom	Her Majesty's Stationery Office, 49 High Holborn, London WC1V 6HB (callers only); P.O. Box 569, London SE1 9NH (trade and London area mail orders); 13a Castle Street, Edinburgh EH2 3AR; 41 The Hayes, Cardiff CF1 1JW; 80 Chichester Street, Belfast BT1 4JY; Brazenose Street, Manchester M60 8AS; 258 Broad Street, Birmingham B1 2HE; Southey House, Wine Street, Bristol BS1 2BQ.
United States of America	UNIPUB, 345 Park Avenue South, New York, N.Y. 10010; mailing address: P.O. Box 433, Murray Hill Station, New York, N.Y. 10016.
Uruguay	Librería Editorial Juan Angel Peri, Alzaibar 1328, Casilla de Correos 1755, Montevideo.
Venezuela	Blume Distribuidora S.A., Av. Rómulo Gallegos esq. 2a. Avenida, Centro Residencial « Los Almendros », Torre 3, Mezzanina, Ofc. 6, Urbanización Montecristo, Caracas.
Yugoslavia	Jugoslovenska Knjiga, Terazije 27/11, Belgrade; Cankarjeva Založba, P.O. Box 201-IV, Ljubljana; Prosveta Terazije 16, P.O. Box 555, 11001 Belgrade.
Zambia	Kingstons (Zambia) Ltd., P.O. Box 139, Ndola.
Other countries	Requests from countries where sales agents have not yet been appointed may be sent to: Distribution and Sales Section, Food and Agriculture Organization of the United Nations, Via delle Terme di Caracalla, 00100 Rome, Italy.