

TM 43-0003-26

SUPERSEDES TM 43-0003-26, 14 APRIL 1986

TECHNICAL MANUAL

**DEMILITARIZATION PROCEDURES
FOR
LONGBOW/HELLFIRE
MODULAR MISSILE SYSTEM**

WARNING -This document contains technical data whose export is restricted by the Arms Export Control Act (title 22, U.S.C. Set 2751 *et seq.*) Or Executive Order 12470. Violators of these export laws are subject to severe criminal penalties.

DISTRIBUTION STATEMENT - Distribution authorized to Department of Defense and DoD contractors only to protect critical technical data on systems or hardware. This determination was made 10 April 1989. Other requests shall be referred to Commander, U.S. Army Aviation and Missile Command, ATTN: SFAE-MSL-HD-S, Redstone Arsenal, AL 35896-5610.

DESTRUCTION NOTICE - Destroy by any method that will prevent disclosure of contents or reconstruction of the document.

**HEADQUARTERS, DEPARTMENT OF THE ARMY
SEPTEMBER 1998**

WARNING SUMMARY

WARNINGS AND CAUTIONS

Warnings and cautions have been placed in the manual immediately prior to the step or procedure to which they apply.



Highlights an essential operating or maintenance procedure, practice, condition, statement, etc., which if not strictly observed could result in injury to personnel or long-term health hazards.



Highlights an essential operating or maintenance procedure, practice, condition, statement, etc., which if not strictly observed could result in damage to or destruction of equipment, or loss of mission effectiveness.

USE OF HAZARD ICONS

Hazard icons have been included in this manual to save space while still conveying a clear message of the hazard to the technician using the manual. Since the icon presents a visual image of the hazard rather than a more abstract message, recognition should be much faster than with a worded warning. In the text of the manual, the caption WARNING will not be used. Such warnings will be identified by an icon. The following lists the hazard icons and their meanings.



CHEMICALS

Drops of liquid on hands shows that the material will cause burns or irritation to human skin or tissue.



EXPLOSION

Rapidly expanding symbol shows that the material may explode if subjected to high temperatures, sources of ignition, or high pressure.



EYE PROTECTION

Person with goggles shows that the material will injure the eyes.



FIRE

Flame shows that a material may ignite and cause burns.



POISON

Skull and crossbones shows that a material is poisonous or is a danger to life.



VAPOR

Human figure in cloud shows that material vapors present a danger to life or health.



CRYOGENIC

Hand in block of ice shows that the material is extremely cold and can injure human skin or tissue.



EAR PROTECTION

Headphones over ears shows that noise level will harm ears.



**FLYING
PARTICLES**

Arrows bouncing off face with face shield shows that particles flying through the air will harm face.



SHARP OBJECT

Pointed object in hand shows that a sharp object presents a danger to limb.

TECHNICAL MANUAL)

No. 43-0003-26)

HEADQUARTERS
DEPARTMENT OF THE ARMY
Washington, D.C., 10 September 1998

**DEMILITARIZATION PROCEDURES
FOR
LONGBOW / HELLFIRE
MODULAR MISSILE SYSTEM**

REPORTING ERRORS AND RECOMMENDING IMPROVEMENTS

You can help improve this manual. If you find any errors or if you know of a way to improve the procedures, please let us know. Mail your letter or DA Form 2028 (Recommended Changes to Publications and Blank Forms) or DA Form 2028-2 located in the back of this manual direct to: Commander, U.S. Army Aviation and Missile Command, ATTN: AMSAM-MMC-LS-LP, Redstone Arsenal, AL 35898-5000. A reply will be furnished to you. You may also send in your comments electronically to our e-mail address: ls-lp@redstone.army.mil or FAX us at, (256) 842-6546/DSN 788-6546.

DISTRIBUTION STATEMENT - Distribution authorized to Department of Defense and DoD contractors only to protect critical technical data on systems or hardware. This determination was made on Nov. 86. Other requests shall be referred to Commander, U.S. Army Aviation and Missile Command, ATTN: SFAE-MSL-HD-S, Redstone Arsenal, AL 35898-5610.

WARNING - This document contains export-controlled technical data whose export is restricted by the Arms Export Control Act (Title 22, U.S.C., Sec. 2751 et seq.) or Executive Order 12470. Violators of these export laws are subject to severe penalties.

DESTRUCTION NOTICE - Destroy by any method that will prevent disclosure of contents or reconstruction of the document.

TABLE OF CONTENTS

Chapter	Page
1 INTRODUCTION	1-1
1.1 SCOPE	1-1
1.2 AUTHORIZATION	1-1
1.3 CERTIFICATION..	1-1
1.4 REPORTING DEMILITARIZATION	1-1
1.5 PURPOSE OF DEMILITARIZATION	1-1
1.6 HAZARD CLASSIFICATION/STORAGE COMPATIBILITY GROUP	1-1
1.7 HOW TO USE THIS MANUAL	1-1

*This manual supersedes TM 43-0003-26, 14 April 1986.

Chapter	Page
2	METHODS OF DEMILITARIZATION 2-1
2.1	GENERAL 2-1
2.2	BURNING. 2-1
2.3	CUTTING 2-1
2.4	DETONATING.. 2-1
2.5	MUTILATING.. 2-2
2.6	SMASHING 2-2
2.7	WELDING 2-2
3	DETAILED INSTRUCTIONS FOR DEMILITARIZATION 3-1
Section I AGM-114A, AGM-114C, and AGM-114F Missile Demilitarization 3-1	
3.1	GUIDED MISSILE 13007352, 13007385, AND 13362255 DETONATION 3-1
3.2	GUIDED MISSILE 13007352, 13007385, AND 13362255 DEMILITARIZATION.. 3-2
3.2.1	Initial Setup 3-2
3.2.2	Demilitarization 3-3
3.3	SEEKER SECTION 13092100, 13092282, AND 13092450 DEMILITARIZATION 3-6
3.3.1	Initial Setup 3-6
3.3.2	Demilitarization.. 3-7
3.4	SEEKER HEAD 13092283, 13092360, AND 13092453 DEMILITARIZATION 3-7
3.4.1	Initial Setup 3-7
3.4.2	Demilitarization 3-7
3.5	SENSOR ASSEMBLY 13092280, 13092480, AND 13092487 DEMILITARIZATION 3-9
3.6	GYRO OPTICS ASSEMBLY 13092304, 13092420, AND 13092507 DEMILITARIZATION..... 3-9
3.7	ELECTRONICS ASSEMBLY 13092310 DEMILITARIZATION 3-10
3.7.1	Initial Setup 3-10
3.7.2	Demilitarization 3-10
3.8	INTERFACE CCA 13092318, VIDEO AMPLIFIER CCA 13092355, SAMPLE AND HOLD CCA 13092218, PULSE LOGIC CCA 13092321, DECODER CCA 13092330 AND 13008385, MODE CONTROL CCA 13092270, AND MOTHERBOARD CCA 13092273 DEMILITARIZATION. 3-11
3.9	MICROCIRCUIT 13042904, 13042905, AND 13042983 DEMILITARIZATION 3-11
3.10	POWER SUPPLY 13092335 DEMILITARIZATION.. 3-11
3.11	FILTER CCA 13092341, CONTROL CCA 13092343, AND CONVERTER CCA 13092347 DEMILITARIZATION.. 3-11
3.12	SPIN TORQUER ASSEMBLY 13092324 DEMILITARIZATION.. 3-11
3.13	PROPULSION SECTION 13007795 AND 13008096 DEMILITARIZATION 3-11
3.13.1	Initial Setup 3-11
3.13.2	Demilitarization 3-11
3.14	WING 13007685 DEMILITARIZATION 3-12
3.15	ROCKET MOTOR 13007870 AND 13227915 DEMILITARIZATION 3-12
3.16	IGNITER ASSEMBLY 13007831 AND 13227917 DEMILITARIZATION 3-12
3.17	ROD/GRAIN ASSEMBLY 13227931 DEMILITARIZATION 3-12
3.18	CONTROL SECTION 13008375, 13227800, AND 13362446 DEMILITARIZATION 3-12
3.18.1	Initial Setup.. 3-12
3.18.2	Demilitarization 3-12
3.19	FIN 13008306-1 AND 13008306-2 DEMILITARIZATION 3-14
3.20	ACTUATOR MODULE ASSEMBLY 13008179, 13227801, AND 13362447 DEMILITARIZATION.. 3-14
3.21	FORWARD WARHEAD SECTION 13362354 DEMILITARIZATION 3-14
3.22	WARHEAD SECTION 13007580, 13007592, AND 13362291 DEMILITARIZATION 3-14
3.22.1	Initial Setup..... 3-14
3.22.2	Demilitarization 3-14

Chapter	Page
3.23 GUIDANCE SECTION GROUP 13008031, 13008093, AND 13362293 DEMILITARIZATION..	3-15
3.23.1 <u>Initial Setup</u>	3-15
3.23.2 <u>Demilitarization</u>	3-15
3.24 AUTOPILOT ELECTRONICS ASSEMBLY 13008030, 13008091, AND 13362292 DEMILITARIZATION	3-17
3.25 INTERCONNECT CCA 13008038 AND 13008078, COMPENSATOR CCA 13008035, 13008087, AND 13362440, LOGIC CCA 13008043, 13008084, AND 13362442, AND ACTUATOR ELECTRONICS CCA 13008010 AND 13008081 DEMILITARIZATION..	3-17
3.26 DISPLACEMENT GYRO 13007947 AND 13010252 DEMILITARIZATION	3-17
3.27 THERMAL BATTERY 13007948 AND 13227650 DEMILITARIZATION	3-17
3.28 PNEUMATIC ACCUMULATOR 13008160 DEMILITARIZATION	3-17
3.29 ACCUMULATOR BURST DISC CUTTER SQUIB 13008112 DEMILITARIZATION	3-17
3.30 WARHEAD ASSEMBLY 13008250, 13008725, 13362294, AND 13362368 DEMILITARIZATION	3-18
3.31 WARHEAD 13008252, 13008676, AND 13362311 DEMILITARIZATION	3-18
3.32 FUZE 13008601 AND 13362356 DEMILITARIZATION..	3-18
3.33 DETONATOR CONTROL ASSEMBLY 13362360 DEMILITARIZATION	3-18
3.34 BILLET ASSEMBLY CASE 13362369 DEMILITARIZATION..	3-18
3.35 FORWARD WARHEAD ADAPTER ASSEMBLY 13362377 DEMILITARIZATION..	3-18
 Section II AGM-114K Missile Demilitarization	 3-19
3.36 GUIDED MISSILE 13415000, 13415050, 13415100, AND 13415213 DETONATION..	3-19
3.37 GUIDED MISSILE 13415000, 13415050, 13415100, AND 13415213 DEMILITARIZATION	3-20
3.37.1 <u>Initial Setup</u>	3-20
3.37.2 <u>Demilitarization</u>	3-21
3.38 FORWARD WARHEAD PRECURSOR 13414794 AND 13470150 DEMILITARIZATION..	3-24
3.39 GUIDANCE SECTION 13414810 DEMILITARIZATION..	3-24
3.39.1 <u>Initial Setup</u>	3-24
3.39.2 <u>Demilitarization</u>	3-24
3.40 SENSOR GROUP 13414820 DEMILITARIZATION..	3-26
3.40.1 <u>Initial Setup</u>	3-26
3.40.2 <u>Demilitarization</u>	3-26
3.41 GYRO OPTICS ASSEMBLY 13414821 DEMILITARIZATION	3-26
3.42 SENSOR ASSEMBLY 13414822 DEMILITARIZATION	3-27
3.43 GUIDANCE ELECTRONICS GROUP 13414830 DEMILITARIZATION..	3-27
3.43.1 <u>Initial Setup</u>	3-27
3.43.2 <u>Demilitarization</u>	3-28
3.44 POWER SUPPLY 13414835 DEMILITARIZATION	3-28
3.45 SPIN TORQUER ASSEMBLY 13414845 DEMILITARIZATION	3-28
3.46 VIDEO AMPLIFIER CCA 13414825, SAMPLE AND HOLD CCA 13414855, CONTROLLER CCA 13417480, AND MOTHERBOARD CCA 13414865 DEMILITARIZATION..	3-30
3.47 WARHEAD SECTION 13414875 DEMILITARIZATION..	3-30
3.47.1 <u>Initial Setup</u>	3-30
3.47.2 <u>Demilitarization</u>	3-30
3.48 CONTROL INTERFACE GROUP 13414890 DEMILITARIZATION..	3-32
3.48.1 <u>Initial Setup</u>	3-32
3.48.2 <u>Demilitarization</u>	3-32
3.49 CONTROL INTERFACE ASSEMBLY CCA 13415116 DEMILITARIZATION	3-32
3.50 THERMAL BATTERY 13415150 DEMILITARIZATION..	3-34
3.51 PNEUMATIC ACCUMULATOR 13415175 DEMILITARIZATION	3-34
3.52 ACCUMULATOR BURST DISC CUTTER SQUIB 13415190 DEMILITARIZATION	3-34
3.53 ELECTRONIC SAFE, ARM, AND FIRE DEVICE 13415200 AND 13417509 DEMILITARIZATION	3-34
3.54 WARHEAD FIRING MODULE 13417365 AND 13417384 DEMILITARIZATION	3-34
3.55 WARHEAD ASSEMBLY 13414880 AND 13470140 DEMILITARIZATION	3-34

Chapter	Page
3.56 PROPULSION SECTION 13007345 DEMILITARIZATION.....	3-34
3.56.1 <u>Initial Setup</u>	3-34
3.56.2 <u>Demilitarization</u>	3-34
3.57 ROCKET MOTOR 13227895 DEMILITARIZATION	3-35
3.58 SAFE-ARM IGNITER 13227897 DEMILITARIZATION.....	3-35
3.59 IGNITER 13227898 DEMILITARIZATION.....	3-35
3.60 CONTROL SECTION 13417650 DEMILITARIZATION	3-35
3.61 ACTUATOR MODULE ASSEMBLY 13417651 DEMILITARIZATION	3-35
 Section III AGM-114L Missile Demilitarization	 3-37
3.62 GUIDED MISSILE 13403000 DETONATION	3-37
3.63 GUIDED MISSILE 13403000 DEMILITARIZATION.....	3-38
3.63.1 <u>Initial Setup</u>	3-38
3.63.2 <u>Demilitarization</u>	3-39
3.64 GUIDANCE SECTION 13402281 DEMILITARIZATION	3-42
3.64.1 <u>Initial Setup</u>	3-42
3.64.2 <u>Demilitarization</u>	3-43
3.65 POWER SUPPLY 13425604 DEMILITARIZATION	3-45
3.66 GPP/MEMORY ECA 13403472, DSP MEMORY ECA 13402338, PP/SI ECA 13402341, TIMING ECA 13403471, IF RECEIVER ECA 13402282, EXCITER ECA 13402345, AND BACKPLANE ASSEMBLY 13402285 DEMILITARIZATION.....	3-45
3.67 INERTIAL MEASUREMENT UNIT 13402807 DEMILITARIZATION	3-45
3.68 SENSOR GROUP ASSEMBLY 13403501 DEMILITARIZATION.....	3-45
3.68.1 <u>Initial Setup</u>	3-45
3.68.2 <u>Demilitarization</u>	3-45
3.69 GIMBAL CONTROL CCA 13403267 DEMILITARIZATION	3-46
3.70 ANTENNA GIMBAL ASSEMBLY 13403502 DEMILITARIZATION	3-46
3.71 ANTENNA 13403460 DEMILITARIZATION	3-46
3.72 GIMBAL RATE SENSOR 13402501 DEMILITARIZATION	3-46
3.73 TRANSCEIVER 13465000 DEMILITARIZATION	3-46
 Section IV M36 Training Missile Demilitarization	 3-47
3.74 GUIDED MISSILE 13007355, 13007377, AND 13362340 DEMILITARIZATION.....	3-47
3.74.1 <u>Initial Setup</u>	3-47
3.74.2 <u>Demilitarization</u>	3-47
 Section V M179 And M180 Environmental Protective Cover Demilitarization.....	 3-49
3.75 AGM-114A/C/F/K ENVIRONMENTAL PROTECTIVE COVER REMOVAL	3-49
3.75.1 <u>Initial Setup</u>	3-49
3.75.2 <u>Removal</u>	3-49
3.76 ENVIRONMENTAL PROTECTIVE COVER 13007667, 13007667-2, 13007669, AND 13007669-2 DEMILITARIZATION	3-49
 Section VI Environmental Protective Cover Demilitarization	 3-51
3.77 AGM-114L ENVIRONMENTAL PROTECTIVE COVER REMOVAL	3-51
3.77.1 <u>Initial Setup</u>	3-51
3.77.2 <u>Removal</u>	3-51
3.78 ENVIRONMENTAL PROTECTIVE COVER 13403280 DEMILITARIZATION	3-51
3.79 SQUIB ASSEMBLY 13403488 DEMILITARIZATION	3-51

Chapter	Page
Section VII M272 and M279 Launcher Demilitarization	3-53
3.80 LAUNCHER 13009444 AND 13009445 DEMILITARIZATION	3-53
3.80.1 <u>Initial Setup</u>	3-53
3.80.2 <u>Demilitarization</u>	3-53
3.81 ECSP 13009716 DEMILITARIZATION	3-56
3.81.1 <u>Initial Setup</u>	3-56
3.81.2 <u>Demilitarization</u>	3-56
3.82 CONTROL ELECTRONICS ASSEMBLY 13009717 DEMILITARIZATION..	3-58
3.82.1 <u>Initial Setup</u>	3-58
3.82.2 <u>Demilitarization</u>	3-58
3.83 POWER SUPPLY CCA 13009704, MULTIPLEXER CCA 13009691, AND MISSILE CONTROL CCA 13009744 DEMILITARIZATION	3-58
3.84 AIRFRAME ASSEMBLY 13010003 AND 13010004 DEMILITARIZATION	3-60
3.84.1 Initial Setup	3-60
3.84.2 Demilitarization..	3-60
3.85 RAIL ASSEMBLY 13010043 DEMILITARIZATION	3-62
3.86 RAIL SUPPORT ASSEMBLY 13010042 DEMILITARIZATION	3-62
3.87 HARDBACK ASSEMBLY 13010041 DEMILITARIZATION	3-63
Section VIII M299 Launcher Demilitarization	3-65
3.88 LAUNCHER 13425104 DEMILITARIZATION	3-65
3.88.1 Initial Setup	3-65
3.88.2 Demilitarization	3-65
3.89 LAUNCHER ELECTRONICS ASSEMBLY 13425108 DEMILITARIZATION..	3-67
3.89.1 Initial Setup	3-67
3.89.2 Demilitarization..	3-67
3.90 POWER SUPPLY CCA 13425193 AND 13425917, MISSILE INTERFACE CCA 13425196, PROCESSOR CCA 13425294 AND 13425910, AND COMMON MODE FILTER CCA 13425263 DEMILITARIZATION.	3-67
3.91 TRANSFORMER/RECTIFIER ASSEMBLY 13425117 DEMILITARIZATION	3-69
3.91.1 Initial Setup	3-69
3.91.2 Demilitarization	3-69
3.92 AIRFRAME ASSEMBLY 13425105 DEMILITARIZATION	3-69
3.92.1 Initial Setup..	3-69
3.92.2 Demilitarization	3-70
3.93 RAIL ASSEMBLY 13402868 AND 13425109 DEMILITARIZATION	3-72
3.94 LOWER RAIL SUPPORT 13402874 AND 13425300 DEMILITARIZATION	3-72
3.95 HARDBACK ASSEMBLY 13402871 AND 13425106 DEMILITARIZATION..	3-73
Section IX Guided Missile Test Set AN/TSM-205 Demilitarization	3-75
3.96 GUIDED MISSILE TEST SET 13481200 DEMILITARIZATION	3-75
3.96.1 Demilitarization	3-75
3.97 DISK DRIVE UNIT 13481193 DEMILITARIZATION	3-77
Section X Guided Missile Test Set AN/AWM-101A Demilitarization	3-79
3.98 GUIDED MISSILE TEST SET 13585142 DEMILITARIZATION	3-79
3.99 ELECTRICAL UNIT 13585144 DEMILITARIZATION	3-79

Chapter	Page
APPENDIX A REFERENCES.....	A -1
A.1 ADMINISTRATIVE PUBLICATIONS	A -1
A.2 BLANK FORMS	A -1
A.3 EQUIPMENT PUBLICATIONS	A -1
A.4 SUPPLY BULLETINS	A -2
A.5 SPECIAL REQUIREMENTS..	A -2
APPENDIX B SPECIAL TOOLS.....	B -1
B.1 SPECIAL TOOLS..	B -1
INDEX	Index 1

CHAPTER 1

INTRODUCTION

1.1 SCOPE

This manual provides additional technical instructions covering the methods and degree of demilitarization of surplus military items as required by DOD 4160.21-M-1. DOD 4160.21-M-1, which contains the basic information on demilitarization, shall be used in conjunction with this manual. Where this manual conflicts with DOD 4160.21-M-1, the latter takes precedence. Additional data may be obtained from DOD 4160.21-M, Defense Technical Information Center (DTIC) Defense Disposition Manual.

1.2 AUTHORIZATION

Demilitarization of surplus military materiel shall be limited to that which the National Inventory Control Points (NICP) have identified as requiring demilitarization. Demilitarization of those items which are not normally physically accepted by a Defense Reutilization and Marketing Officer (DRMO) will be accomplished by the activity having physical custody of the property upon completion of all required utilization and donation screening. Such action will be coordinated with a DRMO. Where appropriate, demilitarization of this property may be accomplished as a condition of sale, provided that there are effective controls and surveillance to assure proper demilitarization. Where the DRMO is the custodian of the property and is unable to perform required demilitarization, the DRMO may require demilitarization as a condition of sale, with proper inspection and surveillance, or may obtain assistance from the activity turning in the property.

1.3 CERTIFICATION

A certificate reading substantially as quoted below and signed by two qualified Government representatives will be executed and placed in the applicable contract or properly disposal file for all items demilitarized.

"I certify that (indicate items) were demilitarized in accordance with (cite specific instructions which were complied with; for example, Defense Demilitarization Manual, DOD 4160.21-M-1, TM 43-0003-26)."

1.4 REPORTING DEMILITARIZATION

No reporting of demilitarization is required beyond that specified by local directives.

1.5 PURPOSE OF DEMILITARIZATION

The purpose of demilitarization of equipment is to alter its characteristics to the extent necessary to preclude its unauthorized use, to destroy the military advantages inherent in the equipment, to render innocuous those items that are dangerous to personnel and the environment, to protect the national interest, to preclude the compromise of security requirements, and to protect technologically sensitive designs and manufacturing processes.

1.6 HAZARD CLASSIFICATION/STORAGE COMPATIBILITY GROUP

Tables 1-1 through 1-3 provide hazard classification and storage compatibility information for the various missile configurations. The tables provide item name, part number, classification/compatibility class, hazardous material identification, and amount of hazardous material. The M36 training missile is inert and contains no hazardous materials.

1.7 HOW TO USE THIS MANUAL

Chapter 1 provides an introduction to demilitarization. Chapter 2 describes the various methods of accomplishing demilitarization. Procedures for demilitarizing specific items are provided in Chapter 3. Items covered in this manual can be located using the table of contents or the index. The table of contents is located at the front of the manual, and lists all paragraphs in sequential order. Each primary end item is covered in a separate section in Chapter 3. The index is located at the rear of the manual. Items requiring demilitarization are listed in the index by both item nomenclature and part number. If an item requiring demilitarization is not listed, locate a similar item and demilitarize as prescribed for the similar item.

Table 1-1 Hazard Classification/Storage Compatibility - AGM-114A/C/F

Item	Part number	Classification/ compatibility	Hazard	Amount
AN/AGM-114A/C/F				
All-Up Round (AUR)	13007352 (A), 13007385 (C), 13362255 (F)	Class 1.1/C	see below	see below
Forward warhead section (F only)	13352354	Class 1.1/D	LX-14 explosive	2.2 lb (0.998 kg)
Warhead assembly	13362368	Class 1.1/D	PBXN5 explosive LX-14 explosive	0.0022 lb (1 g) 12.54 lb (5.68 kg)
Fuze	13362356	Class 1.1/D	PBXN5 explosive	0.0022 lb (1 g)
Warhead section	13007580 (C), 13007592 (A), 13362291 (F)			
Warhead assembly	13008250 (C), 13008725 (A), 13362294 (F)	Class 1.1/D	LX-14 explosive PBXN5 explosive	12.54 lb (5.68 kg) 0.0022 lb (1 g)
Warhead	13008252 (C), 13008676 (A), 13362311 (F)	Class 1.1/D	LX-14 explosive	12.54 lb (5.68 kg)
Fuze	13008601 (A,C)	Class 1.1/D	PBXN5 explosive	0.0022 lb (1 g)
Detonator control assembly	13362360 (F)	Class 1.1/D	PBXN5 explosive	0.0022 lb (1 g)
Guidance section group	13008031 (A), 13008093 (C), 13362293 (F)			
Pneumatic accumulator	13008160		Nitrogen gas per BB-N-411, type I, class I, grade A	0.9 lb (0.41 kg) at 8,000 psi (55,158 kPa)
Accumulator disc cutter squib	13008112	Class 1.4/S	Zirconium/potassium perchlorate	0.0006 oz (16 mg)
Thermal battery	13007948 (A,C), 13227650 (F)	---	Iron disulfide Magnesium oxide Lithium bromide Lithium chloride Lithium fluoride Lithium silicone	2.12 oz (60 g) 0.88 oz (25 g) 0.71 oz (20 g) 0.35 oz (10 g) 0.18 oz (5 g) 1.06 oz (30 g)
Battery igniter		Class 1.4/S	Boron/calcium chromate Zirconium/potassium Perchlorate/viton	0.001 oz (30 mg) 0.002 oz (7 mg)
Propulsion section	13007795 (A), 13008096 (C,F)			
Rocket motor	13007870 (A), 13227915 (C,F)	Class 1.1/C	Propellant MIS-29239	20.44 lb (9.3 kg)
Igniter	13007831 (A), 13227917 (C,F)	Class 1.1/C	Propellant MIS-35900	20.44 lb (9.3 kg)
		Class 1.1/C	Boron/potassium M36 double-base sheet propellant	0.071 oz (2 g) 1.2 oz (34 g) (9 sticks)
Rod/grain assembly	13227931 (C,F)	Class 1.1/C	Propellant MIS-35903	0.4 lb (0.182 kg)
Environmental protective cover	13007667 (A,C), 13007667-2 (F)	Class 1.4/S	Zirconium/potassium perchlorate	0.0035 oz (100 mg)

Table 1-2 Hazard Classification - AGM-114K

Item	Part number	Classification/ compatibility	Hazard	Amount
AN/AGM-114K				
AUR 13415000,	Class 1.1E 13415050, 13415100, 13415213	see below	see below	
Guidance section	13414810			
Forward warhead precursor (FWP) (part of warhead section)	13414794	Class 1.1D	LX-14 explosive PBXN5 explosive	2.2 lb (0.998 kg) 0.0022 lb (1 g)
Warhead Firing Module (WFM) (part of ESAF)	13417365	Class 1.1B	HNS-IV per WS32972	0.0028 oz (80 mg)
Warhead section	13414875			
Main warhead assembly	13414880	Class 1.1D	LX-14 explosive PBXN5 explosive	12.54 lb (5.68 kg) 0.0022 lb (1 g)
Electronic Safe, Arm, and Fire (ESAF)	13415200			
WFM	13417365	Class 1.1B	HNS-IV per WS32972	0.0028 oz (80 mg)
WFM	13417384	Class 1.1B	HNS-IV per WS32972	0.0040 oz (113 mg)
Control Interface Group (CIG)	13414890			
Pneumatic accumulator	13415175	---	Nitrogen gas per BB-N-411, type I, class I, grade A	0.9 lb (0.41 kg) at 8,600 psi (55,158 kPa)
Accumulator disc cutter squib	13415190	Class 1.4S	Zirconium/potassium perchlorate	0.0006 oz (16 mg)
Thermal battery	13415150	---	Iron disulfide Magnesium oxide Lithium bromide Lithium chloride Lithium fluoride Lithium silicone	2.12 oz (60 g) 0.88 oz (25 g) 0.71 oz (20 g) 0.35 oz (10 g) 0.18 oz (5 g) 1.06 oz (30 g)
Battery igniter		Class 1.4S	Boron/calcium chromate Zirconium/potassium perchlorate/viton	0.001 oz (30 mg) 0.002 oz (7 mg)
Propulsion section	13007345			
Rocket motor	13227895	Class 1.1D	Propellant MIS-35897	20.44 lb (9.3 kg)
Safe-arm igniter	13227897			
Igniter	13227898	Class 1.1D	Boron/potassium nitrate pellets M36 double-base sheet propellant	0.071 oz (2 g) 1.2 oz (34 g) (9 sticks)
Rod/grain assembly	13227931	Class 1.1D	MIS-35903 (classified)	0.4 lb (0.182 kg)
Environmental protective cover	13007667	Class 1.4S	Zirconium/potassium** perchlorate	<0.0035 oz (100 mg)

Table 1-3 Hazard Classification - AGM-114L

Item	Part number	Classification/ compatibility	Hazard	Amount
AN/AGM-114L				
AUR 13403000	Class 1.1E	see below	see below	
Guidance section	13402281			
Forward Warhead Precursor (FWP) (part of warhead section)	13414794	Class 1.1D	LX-14 explosive PBXN5 explosive	2.2 lb (0.998 kg) 0.0022 lb (1 g)
WFM (part of ESAF)	13417365	Class 1.1B	HNS-IV per WS32972	0.0028 oz (80 mg)
Gimbal control Circuit Card Assembly (CCA)	13403267	---	Beryllium Oxide (BeO)	Very small quantities in U1 and U2 (PIN 5962-9065901HXA)
Warhead section	13414875			
Main warhead assembly	13414880	Class 1.1D	LX-14 explosive PBXN5 explosive	12.54 lb (5.68 kg) 0.0022 lb (1 g)
ESAF	13415200			
WFM	13417365	Class 1.1B	HNS-IV per WS32972	0.0028 oz (80 mg)
WFM	13417384	Class 1.1B	HNS-IV per WS32972	0.0040 oz (113 mg)
CIG	13414890			
Pneumatic accumulator	13415175	---	Nitrogen gas per BB-N-411, type I, class I, grade A	0.9 lb (0.41 kg) at 8,000 psi (55,158 kPa)
Accumulator disc cutter squib	13415190	Class 1.4S	Zirconium/potassium perchlorate	0.0006 oz (16 mg)
Thermal battery	13415150	---	Iron disulfide Magnesium oxide Lithium bromide Lithium chloride Lithium fluoride Lithium silicone	2.12 oz (60 g) 0.88 oz (25 g) 0.71 oz (20 g) 0.35 oz (10 g) 0.18 oz (5 g) 1.06 oz (30 g)
Battery igniter		Class 1.4S	Boron/calcium chromate Zirconium/potassium Perchlorate/viton	0.001 oz (30 mg) 0.002 oz (7 mg)
Propulsion section	13007345			
Rocket motor	13227895	Class 1.1D	Propellant MIS-29248	20.44 lb (9.3 kg)
Safe-arm igniter	13227897			
Igniter	13227898	Class 1.1D	Boron/potassium nitrate pellets M36 double-base sheet propellant	0.071 oz (2 g) 1.2 oz (34 g) (9 sticks)
Rod/grain assembly	13227931	Class 1.1D	MIS-35903 (classified)	0.4 lb (0.182 kg)
Environmental protective cover	13403280	Class 1.4S	Zirconium/potassium perchlorate	0.0007 oz (20 mg)

CHAPTER 2

METHODS OF DEMILITARIZATION

2.1 GENERAL

This chapter defines methods, describes procedures and precautions, and lists the equipment required to perform the operations prescribed in the following chapters. Alternate methods may be used when they will achieve equivalent results with equal efficiency and without added safety hazards.

2.2 BURNING

Burning refers to destroying an item by fire. A clean burning flammable material such as excelsior should be used for burning. Burning should be accomplished in an approved area. Since fire alone may not achieve the damage expected, the material being demilitarized should be inspected following the burn to ensure the adequacy of the operation. This method is not recommended in the presence of high explosives. Explosive items will be removed from an assembly prior to burning.

2.3 CUTTING

Cutting may refer to different types of operation:

- a. Cables and like items should be severed completely using a wire cutter, axe, hacksaw, or equivalent.
- b. Cutting may also be accomplished using an acetylene torch, arc-welding torch, or other locally approved method. The following safety precautions must be observed during torch cutting.
 - (1) Demilitarization by torch cutting is inherently hazardous. High-order and low-order explosions may occur in torch cutting closed chambers such as tanks, accumulators, recoil mechanism components, aircraft struts, hollow rods, or hollow valve stems, even though the components are not under pressure or have had small holes drilled in them.
 - (2) An explosive condition may result from the heat of the torch vaporizing oil, paint, or components inside the component. In addition, gases from the cutting torch may enter the hollow space, either adding to or creating a highly explosive condition.
 - (3) In torch cutting, it must be realized that components under pressure may become dangerous upon sudden release of the spring-holding construction.
 - (4) Safety precautions are also necessary where flammable materials such as sodium and magnesium are involved in the torch cutting operation.
 - (5) Precautions against the hazards of torch cutting should include isolation of the working area, technical knowledge of the construction of the component to be torch cut, and remote control of the cutting operation. This method shall not be used on items containing explosives or flammables.

2.4 DETONATING

- a. Location Requirements Detonation should be performed in an approved demolition area located in accordance with the requirements outlined in AR 385-64 and TM 9-1300-206.

- b. Personnel Requirements Ammunition inspectors or specially trained class V personnel will be responsible for ensuring that qualified operating personnel are used for operations involving ammunition or explosives and that instructions in this manual are understood and followed.
- c. Equipment Requirements
 - (1) Approved handling equipment
 - (2) Flameproof coveralls, safety shoes, and safety goggles
 - (3) MI friction-type fuse lighter.
 - (4) Blasting fuse.
 - (5) Common hand tools.
 - (6) Composition C4 (or equivalent).
 - (7) Knife.
 - (8) Strap wrench
 - (9) Electric or non-electric blasting caps
- d. References
 - (1) AR 385-64 - Ammunition and Explosive Safety Standards
 - (2) TM 9-1300-206 - Ammunition and Explosives Standards
 - (3) FM 5-25 - Explosives and Demolitions

2.5 MUTILATING

Mutilating refers to damaging an item to the extent necessary to preclude restoration or repair. Mutilation may be accomplished by the use of a hammer, sledgehammer, crowbar, torch, crusher, or other appropriate tool. This applies to solid objects that cannot be smashed.

2.6 SMASHING

Smashing refers to the complete crushing of a relatively fragile item by the use of a hammer, sledgehammer, or other appropriate tool.

2.7 WELDING

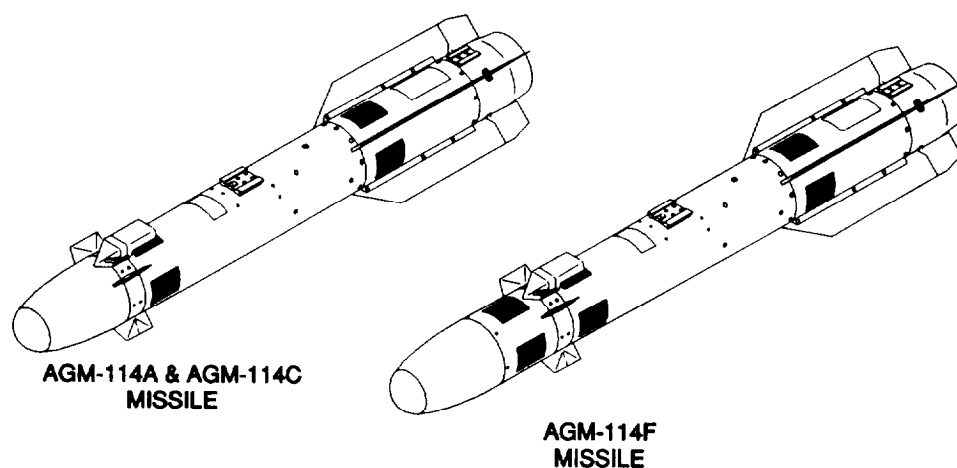
Welding refers to the welding together of designated sections to render the equipment permanently inoperative, or to the application of a welded bead at a key point to obtain the same result. Acetylene or arc-welding equipment may be used. This method shall not be used on items containing explosives or flammables,

CHAPTER 3

DETAILED INSTRUCTIONS FOR DEMILITARIZATION

Section I AGM-114A, AGM-114C, and AGM-114F Missile Demilitarization

The preferred demilitarization method for the AGM-114A, AGM-114C, and AGM-114F missiles consists of disassembling the missile and demilitarizing missile subassemblies. If it is necessary to demilitarize an All-Up Round (AUR) due to safety or other considerations, the missile should be detonated as prescribed in paragraph 3.1.



HDM 229

Figure 3-1 AGM-114A, AGM-114C, and AGM-114F Missiles

 3.1 GUIDED MISSILE 13007352, 13007385, AND 13362255 DETONATION

This paragraph provides specific information to detonate an AUR. For general detonation information, refer to paragraph 2.4.

WARNING

Missile requires two-man lift. Failure to comply may result in serious personnel injury or equipment damage.

- a. Place AUR in pit or trench, approximately 4 feet deep, with nose against embankment.
- b. Place 15 pounds of explosive (composition C4 or equivalent) as shown in figure 3-2.
- c. Cover missile with approximately 2 feet of earth.
- d. Ensure that area is clear of personnel.
- e. Detonate explosive in accordance with local directives.

- f. In case of misfire, wait at least 30 minutes, after which not more than two qualified personnel shall examine misfire.
- g. Search surrounding area to ensure complete destruction of missile components.

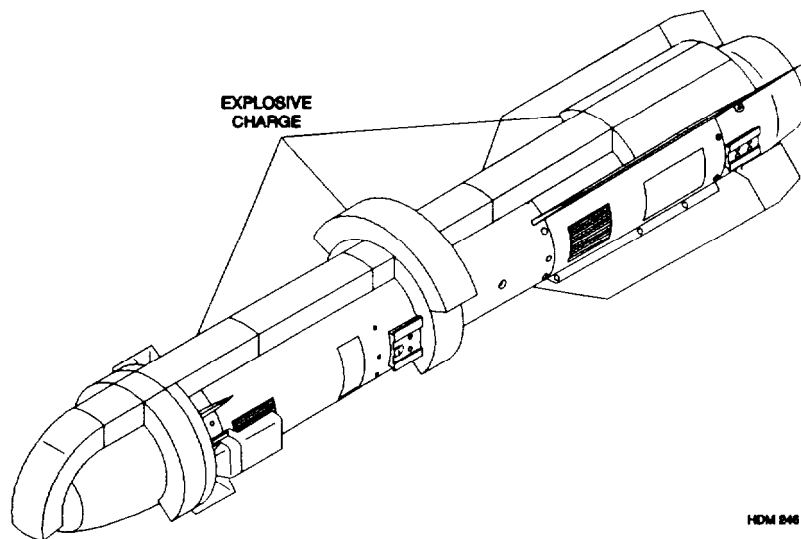


Figure 3-2 AGM-114A, AGM-114C, and AGM-114F Explosive Placement

3.2 GUIDED MISSILE 13007352, 13007385, AND 13362255 DEMILITARIZATION

Demilitarization of the guided missile consists of removing and demilitarizing subassemblies in the sequence provided.

3.2.1 Initial Setup

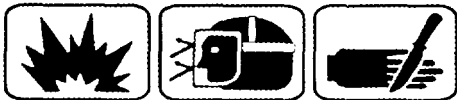
Tools:

- Bit, #2 Philips, 1/4" hex shank, 3" long
- Bit, hex, 3/32", 1/4" hex shank
- Bit, hi-torque, #2, 1/4" drive
- Bit, torque set, #4, 1/4" hex shank
- Bit, torque set, #6, 1/4" hex shank
- Bit, torque set, #10, 1/4" hex shank
- Crowfoot wrench, 7/16", 1/4" drive
- Extension bar, 6", 1/4" drive
- Handle, ratchet, 1/4" drive
- Handle, spinner, 1/4" drive, 6" long
- Holder, 1/4" hex bit, 1/4" drive (mag)
- Key, hex, 1/2"
- Knife, utility
- Pliers, diagonal cutting, 4"

- Screwdriver, 1/8" flat tip, 6" long
- Shorting plug 13007838
- Socket, deepwell, 3/8", 1/4" drive
- Socket set, 1/4" drive
- Socket wrench, 5/64" hex, 1/4" drive
- Socket wrench, 7/64" hex, 1/4" drive
- Tool, removal, control section, T7A776480
- Wrench, combination, 1/2"
- Wrench, flare nut, 11 mm, 3/8" drive
- Wrench, open-end, 30°/60°, 11 mm

Personnel required:

Two



3.2.2 Demilitarization

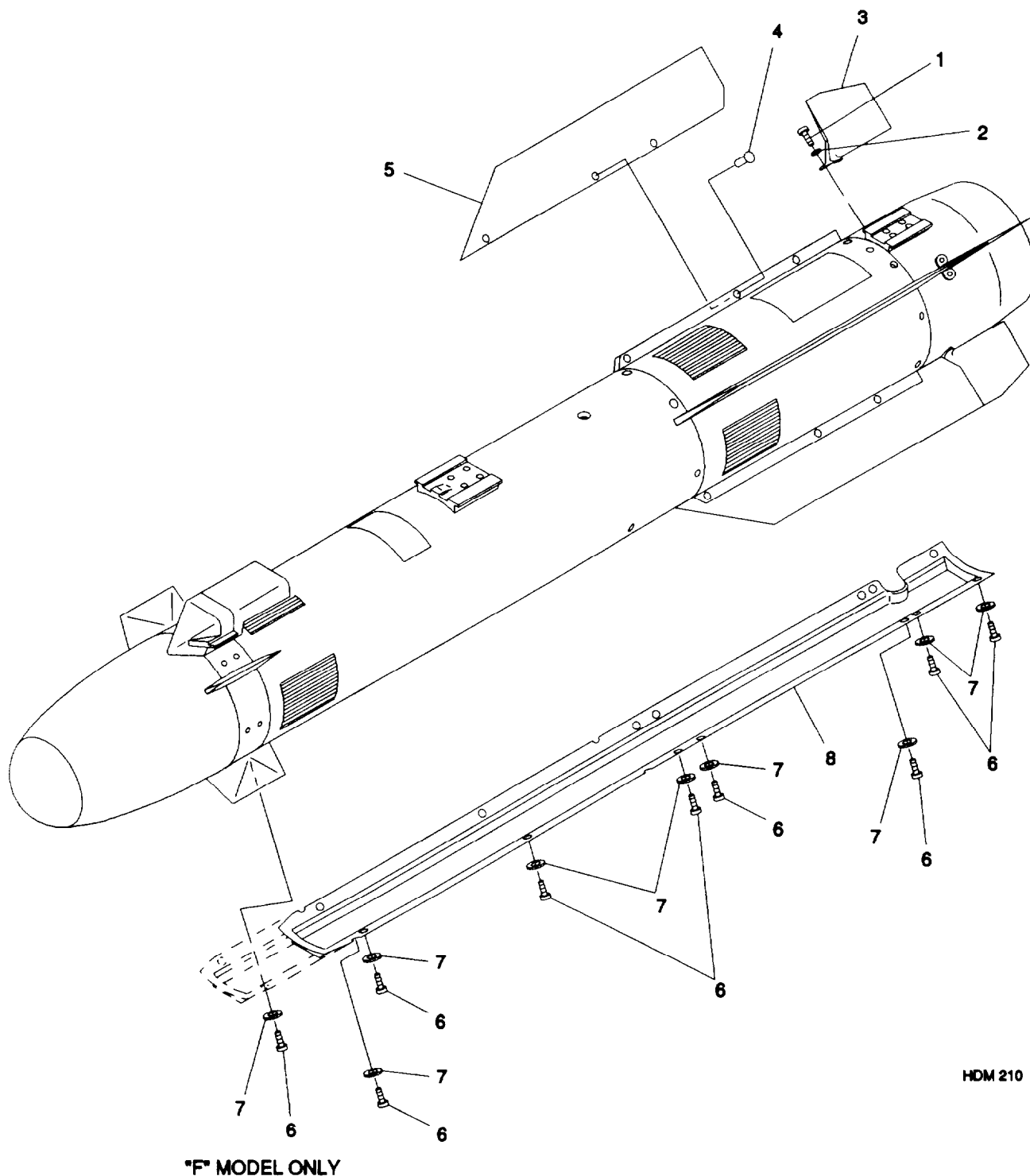
WARNING

Missile requires two-man lift. Failure to comply may result in serious personnel injury or equipment damage.

NOTE

If an Environmental Protective Cover (EPC) is installed on the missile, the EPC must be removed as prescribed in paragraph 3.75 before proceeding with missile demilitarization.

- a. Cover assembly removal (figure 3-3):
 - (1) Remove 16 screws (6) and washers (7) for A and C models, or 18 screws (6) and washers (7) for F model.
 - (2) Remove cover assembly (8).
- b. Seeker section removal (figure 3-4):
 - (1) Remove six screws (1) (A and C models) or six screws (2) (F model).
 - (2) Cut sealing compound between seeker section (3) and warhead section (4) (A and C models) or forward warhead section (5) (F model).
 - (3) Separate seeker section (3) and disconnect main harness connector P2 (6) by alternately loosening two captive screws,
 - (4) Demilitarize seeker section, PN 13092100, 13092282, or 13092450, as prescribed in paragraph 3.3.
- c. Propulsion section removal (figure 3-4):
 - (1) Remove compression fitting (7) from control section (8).
 - (2) Remove seven bolts (9).
 - (3) Cut sealing compound between warhead section (4) and propulsion section (10), and separate propulsion section from warhead section.
 - (4) Disconnect motor harness connector PI (11) from warhead section (4).
 - (5) Install shorting plug connector, PN 13007838, on motor harness connector PI (11).
 - (6) Remove six bolts (12).
 - (7) Cut sealing compound between propulsion section (10) and control section (8).
 - (8) Using control section removal tool, PN T7A776480, separate control section (8) from propulsion section (10).
 - (9) Demilitarize propulsion section, PN 13007795 or 13008096, as prescribed in paragraph 3.13.



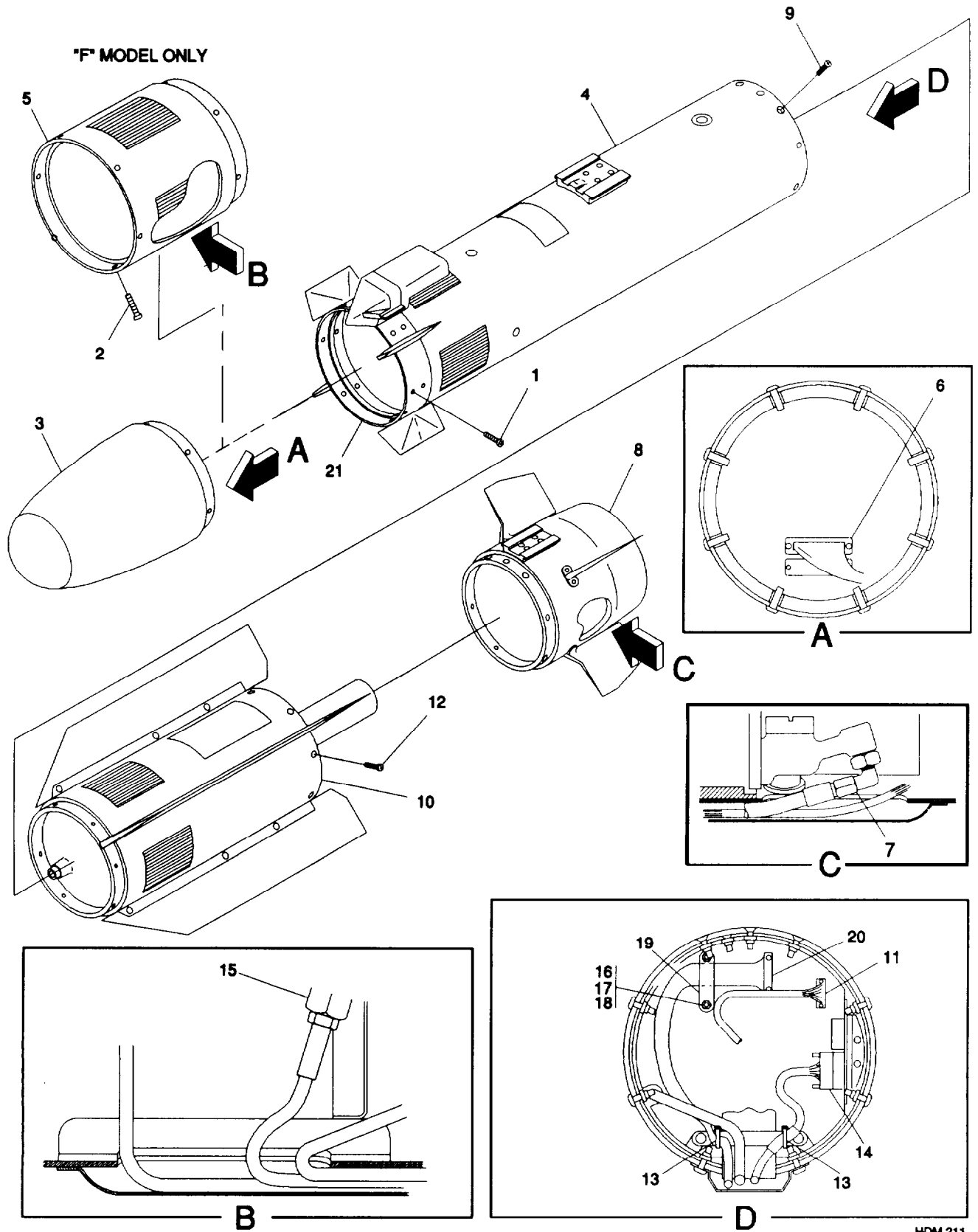
HDM 210

- 1. SCREW (2)
- 2. WASHER (2)
- 3. FIN

- 4. RIVET (3)
- 5. WING
- 6. SCREW

- 7. WASHER
- 8. COVER ASSEMBLY

Figure 3-3 AGM-114A/C/F Fin, Wing, and Cover Assembly Removal



HDM 211

Figure 3-4 AGM-114A/C/F Disassembly

Legend for figure 34:

- | | | |
|------------------------------|--|--|
| 1. SCREW (6) | 9. BOLT (7) | 16. NUT |
| 2. SCREW (6) | 10. PROPULSION SECTION | 17. LOCKWASHER |
| 3. SEEKER SECTION | 11. MOTOR HARNESS | 18. WASHER |
| 4. WARHEAD SECTION | CONNECTOR P1 | 19. CLAMP ASSEMBLY |
| 5. FORWARD WARHEAD SECTION | 12. BOLT (6) | 20. FORWARD WARHEAD HARNESS CONNECTOR P1 |
| 6. MAIN HARNESS CONNECTOR P2 | 13. STRAP (2) | 21. SEEKER MOUNTING FRAME ASSEMBLY |
| 7. COMPRESSION FITTING | 14. CONTROL SECTION HARNESS CONNECTOR P1 | |
| 8. CONTROL SECTION | 15. DETONATION CORD CONNECTOR | |

d. Control section removal (figure 3-4):

- (1) Cut and remove two straps (13).
- (2) Disconnect control section harness connector P1 (14) from warhead section (4) by alternately loosening two captive screws.
- (3) Demilitarize control section, PN 13008375, 13227800, or 13362446, as prescribed in paragraph 3.18.

NOTE

Step e is performed only if demilitarizing missile AGM-114F. If demilitarizing missile AGM-114A or AGM-114C, step f is performed next.

e. Forward warhead section removal (F model only) (figure 3-4):

- (1) Disconnect detonation cord connector (15) from forward warhead section (5)
- (2) Remove nut (16), lockwasher (17), and washer (18) to release clamp assembly (19).
- (3) Disconnect forward warhead harness connector P1 (20) from warhead section (4) by alternately loosening two captive screws.
- (4) Remove six screws (1) from seeker mounting frame assembly (21).
- (5) Cut sealing compound between forward warhead section (5) and seeker mounting frame assembly (21) and remove forward warhead section.
- (6) Demilitarize forward warhead section, PN 13362354, as prescribed in paragraph 3.21

f. Demilitarize warhead section, PN 13007580, 13007592, or 13362291, as prescribed in paragraph 3.22.

3.3 SEEKER SECTION 13092100, 13092282, AND 13092450 DEMILITARIZATION

The preferred demilitarization method for the seeker section is mutilating as prescribed in paragraph 2.5. If desired, the seeker section may be demilitarized by removing and demilitarizing subassemblies in the sequence provided.

3.3.1 Initial Setup

Tools:

- Bit, torque set, #8, 1/4" hex shank
- Bit, torque set, #10, 1/4" hex shank
- Handle, spinner, 1/4" drive
- Holder, 1/4" hex bit, 1/4" drive (mag)

Pliers, diagonal cutting, 4"

Personnel required:

One

3.3.2 Demilitarization

- a. Seeker head removal (figure 3-5):
 - (1) Remove six screws (1), three screws (2), three screws (3), and six screws (4).
 - (2) Remove seeker housing (5) by pulling housing away from seeker head (6).
 - (3) Remove three setscrews (7).
 - (4) Cut wires and cables to seeker head (6) and remove seeker head.
 - (5) Demilitarize seeker head, PN 13092283, 13092360, or 13092453, as prescribed in paragraph 3.4.
- b. Demilitarize seeker housing (5) by mutilating as prescribed in paragraph 2.5.
- c. Demilitarize electronics assembly, PN 13092310, as prescribed in paragraph 3.7.

3.4 SEEKER HEAD 13092283, 13092360, AND 13092453 DEMILITARIZATION

The preferred demilitarization method for the seeker head is mutilating as prescribed in paragraph 2.5. If desired, the seeker head may be demilitarized by removing and demilitarizing subassemblies in the sequence provided.

3.4.1 Initial Setup

Tools:

Bit, torque set, #8, 1/4" hex shank
 Bit, torque set, #10, 1/4" hex shank
 Handle, spinner, 1/4" drive
 Holder, 1/4" hex bit, 1/4" drive (mag)

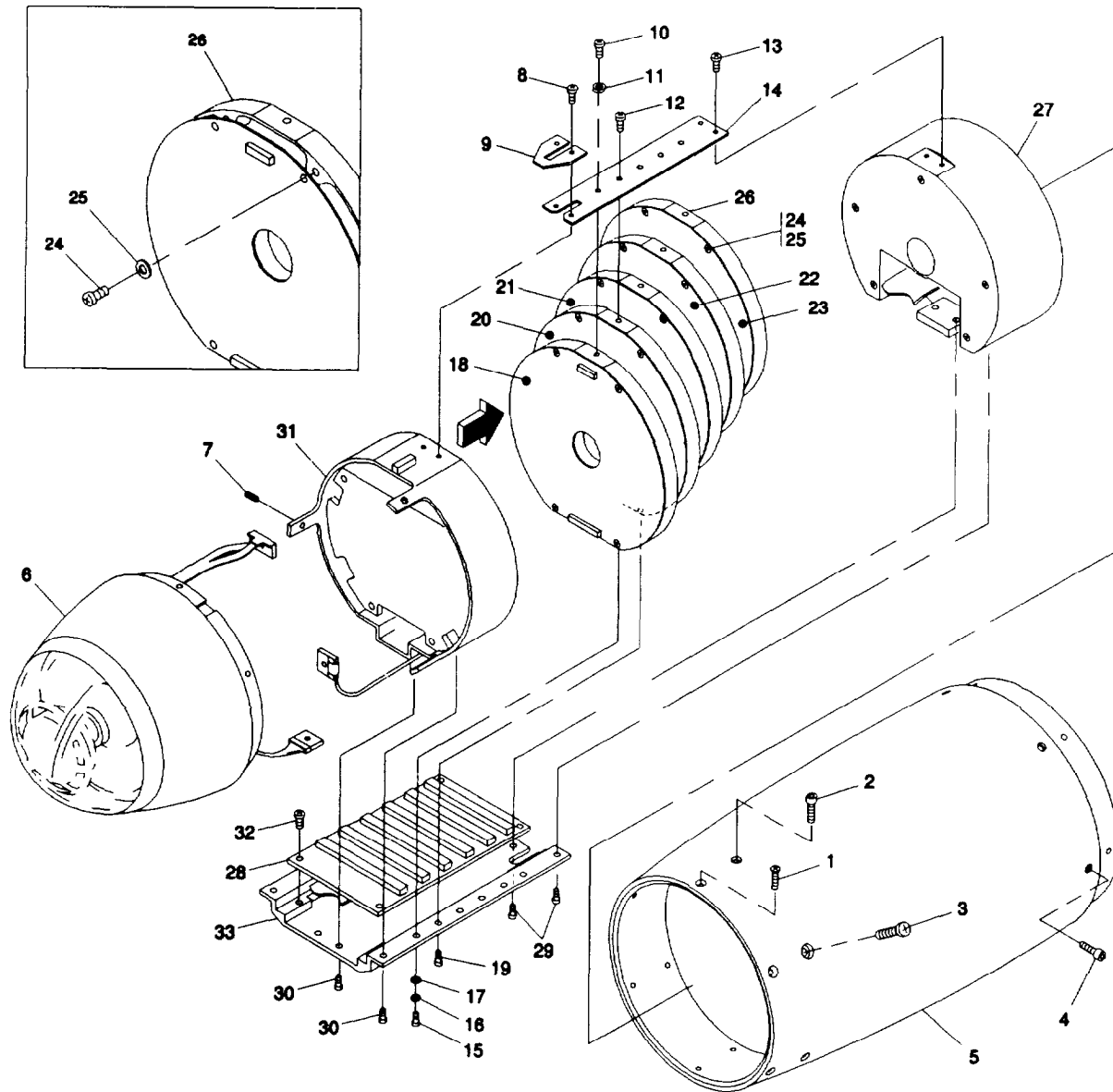
Installation tool, dome, T7-776249
 Pliers, diagonal cutting, 4"

Personnel required:

Two

3.4.2 Demilitarization

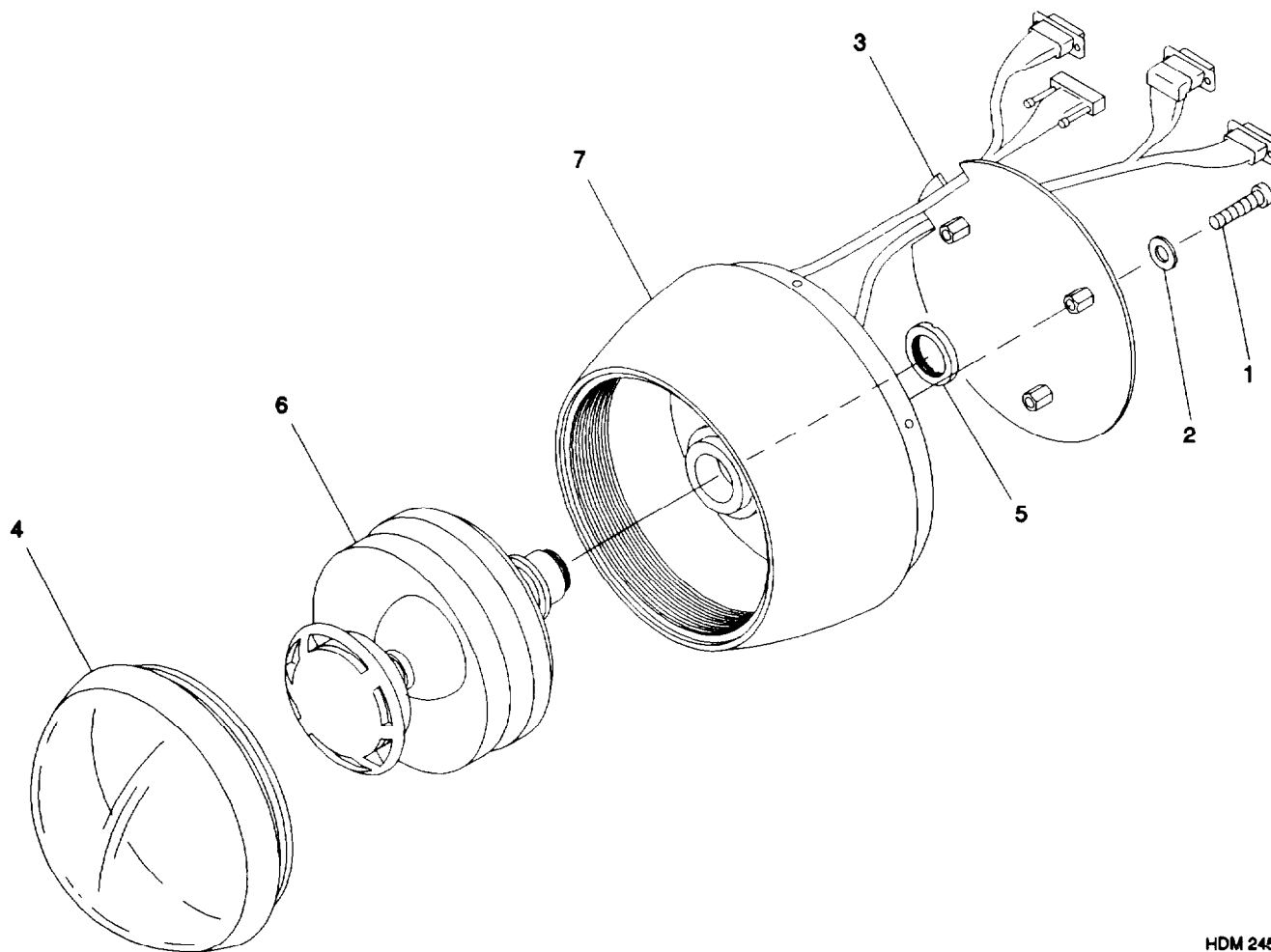
- a. Interface CCA removal (figure 3-6):
 - (1) Remove three screws (1) and flat washers (2).
 - (2) Cut all wires from interface CCA (3) and remove interface CCA.
 - (3) Demilitarize interface CCA, PN 13092318, as prescribed in paragraph 3.8.
- b. Gyro optics assembly removal (figure 3-6):
 - (1) Using dome installation tool, T7-776249, remove dome (4).
 - (2) Remove gyro retainer (5) and remove gyro optics assembly (6) from potted coil assembly (7).
 - (3) Demilitarize gyro optics assembly, PN 13092304, 13092420, or 13092507, as prescribed in paragraph 3.6.
- c. Demilitarize remainder of seeker head by mutilating as prescribed in paragraph 2.5.



HDM 212A

- | | | |
|-----------------------|-------------------------|------------------------------|
| 1. SCREW (6) | 13. SCREW (2) | 24. SCREW |
| 2. SCREW (3) | 14. MOUNTING STRAP | 25. WASHER |
| 3. SCREW (3) | 15. SCREW (2) | 26. MOUNTING FRAME |
| 4. SCREW (8) | 16. LOCKWASHER (2) | 27. POWER SUPPLY |
| 5. SEEKER HOUSING | 17. WASHER (2) | 28. MOTHERBOARD CCA |
| 6. SEEKER HEAD | 18. VIDEO AMPLIFIER CCA | 29. SCREW (4) |
| 7. SETSCREW (3) | 19. SCREW (2) | 30. SCREW (4) |
| 8. SCREW (2) | 20. SAMPLE AND HOLD CCA | 31. SPIN TORQUER ASSEMBLY |
| 9. RETAINER PLATE | 21. PULSE LOGIC CCA | 32. SCREW (4) |
| 10. SCREW | 22. DECODER CCA | 33. BASIC STRUCTURE ASSEMBLY |
| 11. INSULATOR BUSHING | 23. MODE CONTROL CCA | |
| 12. SCREW (4) | | |

Figure 3-5 Seeker Section Disassembly



HDM 245

- | | | |
|--------------------|------------------|-------------------------|
| 1. SCREW (3) | 4. DOME | 6. GYRO OPTICS ASSEMBLY |
| 2. FLAT WASHER (3) | 5. GYRO RETAINER | 7. POTTED COIL ASSEMBLY |
| 3. INTERFACE CCA | | |

Figure 3-6 Seeker Head Disassembly

3.5 SENSOR ASSEMBLY 13092280, 13092480, AND 13092487 DEMILITARIZATION

Demilitarize sensor assembly by mutilating as prescribed in paragraph 2.5.

3.6 GYRO OPTICS ASSEMBLY 13092304, 13092420, AND 13092507 DEMILITARIZATION

- a. Disposition gyro optics assembly for recovery of gold plating in accordance with local directives.
- b. After recovery of gold plating, demilitarize gyro optics assembly by mutilating as prescribed in paragraph 2.5.

3.7 ELECTRONICS ASSEMBLY 13092310 DEMILITARIZATION

The preferred demilitarization method for the electronics assembly is smashing as prescribed in paragraph 2.6. If desired, the electronics assembly may be demilitarized by removing and demilitarizing subassemblies in the sequence provided.

3.7.1 Initial Setup**Tools:**

Bit, #2 Phillips, 1/4" hex shank
Holder, 1/4" hex bit, 1/4" drive
Handle, spinner, 1/4" drive

Personnel required:

One

3.7.2 Demilitarization

- a. Video amplifier CCA removal (figure 3-5):
 - (1) Remove two screws (8) and retainer plate (9).
 - (2) Remove screw (10) and insulator bushing (11).
 - (3) Remove four screws (12), two screws (13), and mounting strap (14).
 - (4) Remove two screws (15), lockwashers (16), and washers (17), and remove video amplifier CCA (18).
 - (5) Remove screw (24), washer (25), and mounting frame (26) from video amplifier CCA (18).
 - (6) Demilitarize video amplifier CCA, PN 13092355, as prescribed in paragraph 3.8
- b. CCA removal (figure 3-5):
 - (1) Remove two screws (19) from each CCA (20 through 23) and remove CCAs.
 - (2) Remove screw (24), washer (25), and mounting frame (26) from each CCA (20 through 23)
 - (3) Demilitarize pulse logic CCA (21), PN 13092321, sample and hold CCA (20), PN 13092218, decoder CCA (22), PN 13092330, and mode control CCA (23), PN 13092270, as prescribed in paragraph 3.8.
- c. Power supply removal (figure 3-5):
 - (1) Disconnect power supply (27) connector P1 from motherboard CCA (28).
 - (2) Remove four screws (29) and remove power supply (27).
 - (3) Demilitarize power supply, PN 13092335, as prescribed in paragraph 3.10
- d. Spin torquer assembly removal (figure 3-5):
 - (1) Remove four screws (30) and remove spin torquer assembly (31)
 - (2) Demilitarize spin torquer assembly, PN 13092324, as prescribed in paragraph 3.12.
- e. Motherboard CCA removal (figure 3-5):
 - (1) Remove four screws (32) and remove motherboard CCA (28) from basic structure assembly (33).
 - (2) Demilitarize motherboard CCA, PN 13092273, as prescribed in paragraph 3.8.

3.8 INTERFACE CCA 13092318, VIDEO AMPLIFIER CCA 13092355, SAMPLE AND HOLD CCA 13092218, PULSE LOGIC CCA 13092321, DECODER CCA 13092330 AND 13008385, MODE CONTROL CCA 13092270, AND MOTHERBOARD CCA 13092273 DEMILITARIZATION

Demilitarize CCA by smashing as prescribed in paragraph 2.6.

3.9 MICROCIRCUIT 13042904, 13042905, AND 13042983 DEMILITARIZATION

Demilitarize microcircuit by smashing as prescribed in paragraph 2.6.

3.10 POWER SUPPLY 13092335 DEMILITARIZATION

Demilitarize power supply by smashing as prescribed in paragraph 2.6.

3.11 FILTER CCA 13092341, CONTROL CCA 13092343, AND CONVERTER CCA 13092347 DEMILITARIZATION

Demilitarize CCA by smashing as prescribed in paragraph 2.6

3.12 SPIN TORQUER ASSEMBLY 13092324 DEMILITARIZATION

Demilitarize spin torquer assembly by mutilating as prescribed in paragraph 2.5

3.13 PROPULSION SECTION 13007795 AND 13008096 DEMILITARIZATION

Demilitarization of the propulsion section consists of removing and demilitarizing the wings, then demilitarizing the remainder of the propulsion section.

3.13.1 Initial Setup

Tools:

Drill, electric, variable speed, 3/8"
 Drill set, twist, 29 pc, 1/16" - 1/2"
 Hammer, ball peen, 4 oz.

Punch, drive, 3/32" pt., 4" long

Personnel required:

One

3.13.2 Demilitarization

a. Wing removal (figure 3-3):

- (1) Using 3/32" punch, punch out center of three rivets (4).
- (2) Using 3/16" drill bit, drill through heads of three rivets (4).
- (3) Using 3/32" punch, punch out shanks of three rivets (4)
- (4) Remove wing (5)
- (5) Demilitarize wing, PN 13007685, as prescribed in paragraph 3.14

b. Demilitarize remainder of propulsion section by detonating as prescribed in paragraph 2.4.

3.14 WING 13007685 DEMILITARIZATION

Demilitarize wing by mutilating as prescribed in paragraph 2.5.

3.15 ROCKET MOTOR 13007870 AND 13227915 DEMILITARIZATION

Demilitarize rocket motor by detonating as prescribed in paragraph 2.4.

3.16 IGNITER ASSEMBLY 13007831 AND 13227917 DEMILITARIZATION

Demilitarize igniter assembly by detonating as prescribed in paragraph 2.4.

3.17 ROD/GRAIN ASSEMBLY 13227931 DEMILITARIZATION

Demilitarize rod/grain assembly by detonating as prescribed in paragraph 2.4

3.18 CONTROL SECTION 13008375, 13227800, AND 13362446 DEMILITARIZATION

The preferred demilitarization method for the control section is mutilating as prescribed in paragraph 2.5. If desired, the control section may be demilitarized by removing and demilitarizing subassemblies in the sequence provided.

3.18.1 Initial Setup

Tools:

Bit, torque set, #8, 1/4" shank
Bit, torque set, #10, 1/4" shank
Holder, 1/4" hex bit, 1/4" drive
Key, hex, 1/2"

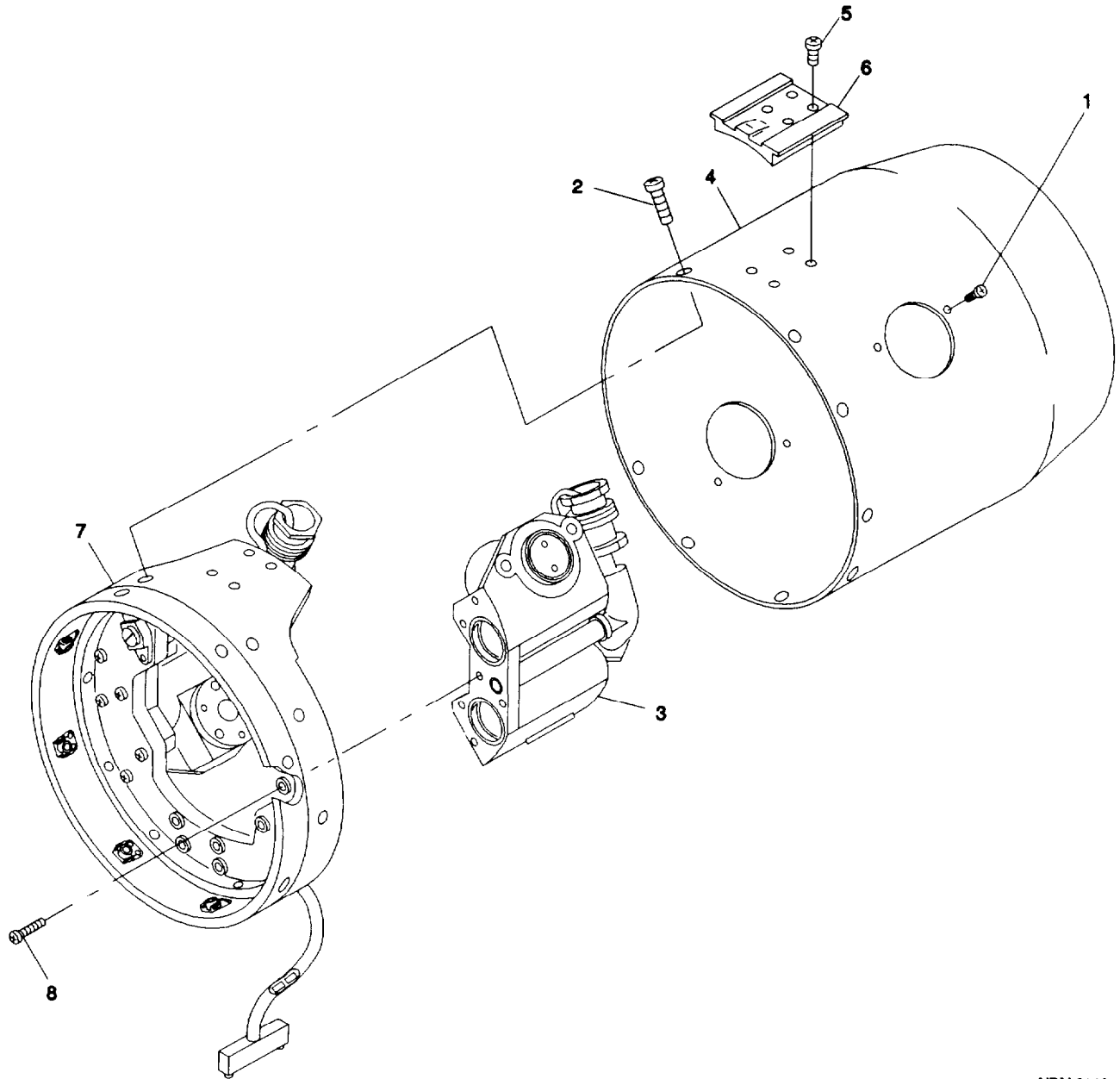
Pliers, diagonal cutting, 4"
Speeder wrench, 1/4" drive

Personnel required:

One

3.18.2 Demilitarization

- a. Fin removal (figure 3-3):
 - (1) Remove two screws (1) and washers (2)
 - (2) Remove fin (3)
 - (3) Demilitarize fin, PN 13008306-1 or 13008306-2, as prescribed in paragraph 3.19.
- b. Actuator module assembly removal (figure 3-7):
 - (1) Remove 8 screws (1) and 12 screws (2)
 - (2) Cut all wires between two actuator module assemblies (3) and control section (4)
 - (3) Remove four screws (5) and rear launch shoe (6)
 - (4) Remove frame assembly (7)
 - (5) Remove 14 screws (8) and two actuator module assemblies (3)
 - (6) Demilitarize actuator module assemblies, PN 13008179, as prescribed in paragraph 3.20.
- c. Demilitarize remainder of control section by mutilating as prescribed in paragraph 2.5



HDM 214A

- | | | |
|---------------------------------|---------------------|-------------------|
| 1. SCREW (8) | 4. CONTROL SECTION | 7. FRAME ASSEMBLY |
| 2. SCREW (12) | 5. SCREW (4) | 8. SCREW (14) |
| 3. ACTUATOR MODULE ASSEMBLY (2) | 6. REAR LAUNCH SHOE | |

Figure 3-7 Control Section Disassembly

3.19 FIN 13008306-1 AND 13008306-2 DEMILITARIZATION

Demilitarize fin by mutilating as prescribed in paragraph 2.5.

3.20 ACTUATOR MODULE ASSEMBLY 13008179, 13227801, AND 13362447 DEMILITARIZATION

Demilitarize actuator module assembly by mutilating as prescribed in paragraph 2.5.

3.21 FORWARD WARHEAD SECTION 13362354 DEMILITARIZATION

Demilitarize forward warhead section by detonating as prescribed in paragraph 2.4.

3.22 WARHEAD SECTION 13007580, 13007592, AND 13362291 DEMILITARIZATION

Demilitarization of the warhead section consists of removing and demilitarizing the guidance section group, then demilitarizing the remainder of the warhead section.

3.22.1 Initial Setup

Tools:

Bit, torque set, #8, 1/4" hex shank
Holder, 1/4" hex bit, 1/4" drive (mag)
Handle, spinner, 1/4" drive
Pliers, diagonal cutting, 4"

Socket, 3/8", 1/4" drive

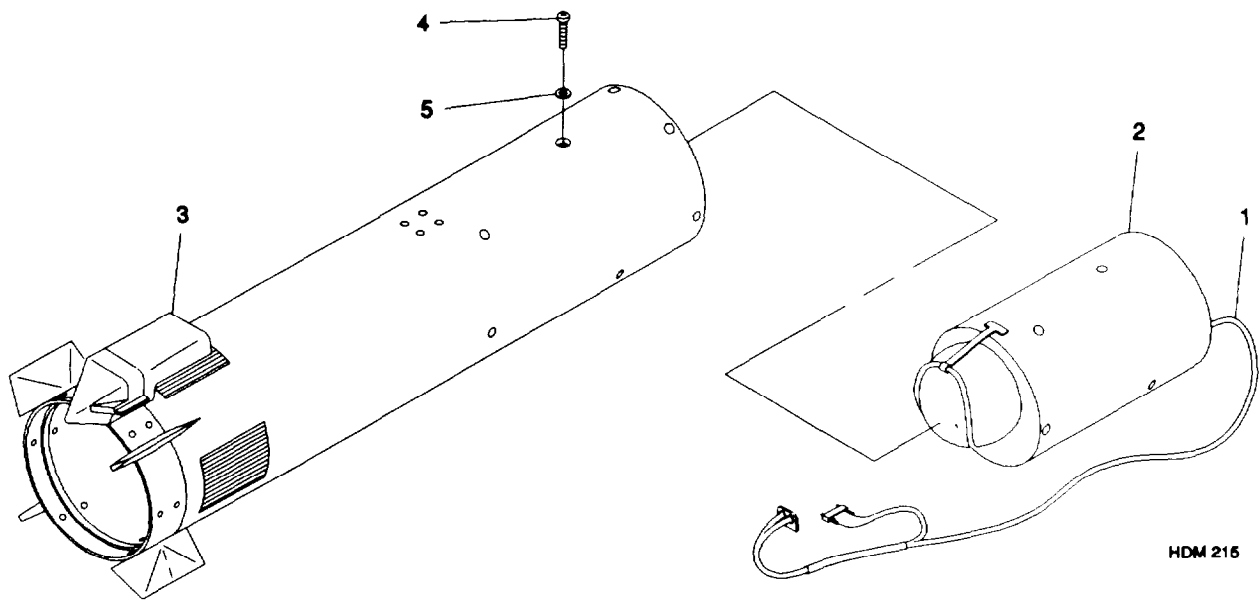
Personnel required:

One



3.22.2 Demilitarization (Figure 3-8)

- a. Cut cable (1) between guidance section group (2) and umbilical housing (3).
- b. Remove seven screws (4) and washers (5), and remove guidance section group (2).
- c. Demilitarize guidance section group, PN 13008031, 13008093, or 13362293, as prescribed in paragraph 3.23.
- d. Demilitarize remainder of warhead section by detonating as prescribed in paragraph 2.4.



- | | | |
|---------------------------|----------------------|---------------|
| 1. CABLE | 3. UMBILICAL HOUSING | 5. WASHER (7) |
| 2. GUIDANCE SECTION GROUP | 4. SCREW(7) | |

Figure 3-8 Guidance Section Group Removal

3.23 GUIDANCE SECTION GROUP 13008031, 13008093, AND 13362293 DEMILITARIZATION

Demilitarization of the guidance section group consists of removing and demilitarizing subassemblies in the sequence provided, then demilitarizing the remainder of the guidance section group.

3.23.1 Initial Setup

Tools:

- Bit, torque set, #6, 1/4" shank
- Bit, torque set, #10, 1/4" shank
- Drill, electric, variable speed, 3/8"
- Drill set, twist, 29 pc, 1/16" - 1/2"
- Hammer, ball peen, 4 oz.

- Holder, 1/4" hex bit, 1/4" drive
- Punch, drive, 3/32" pt., 4" long
- Speeder wrench, 1/4" drive

Personnel required:

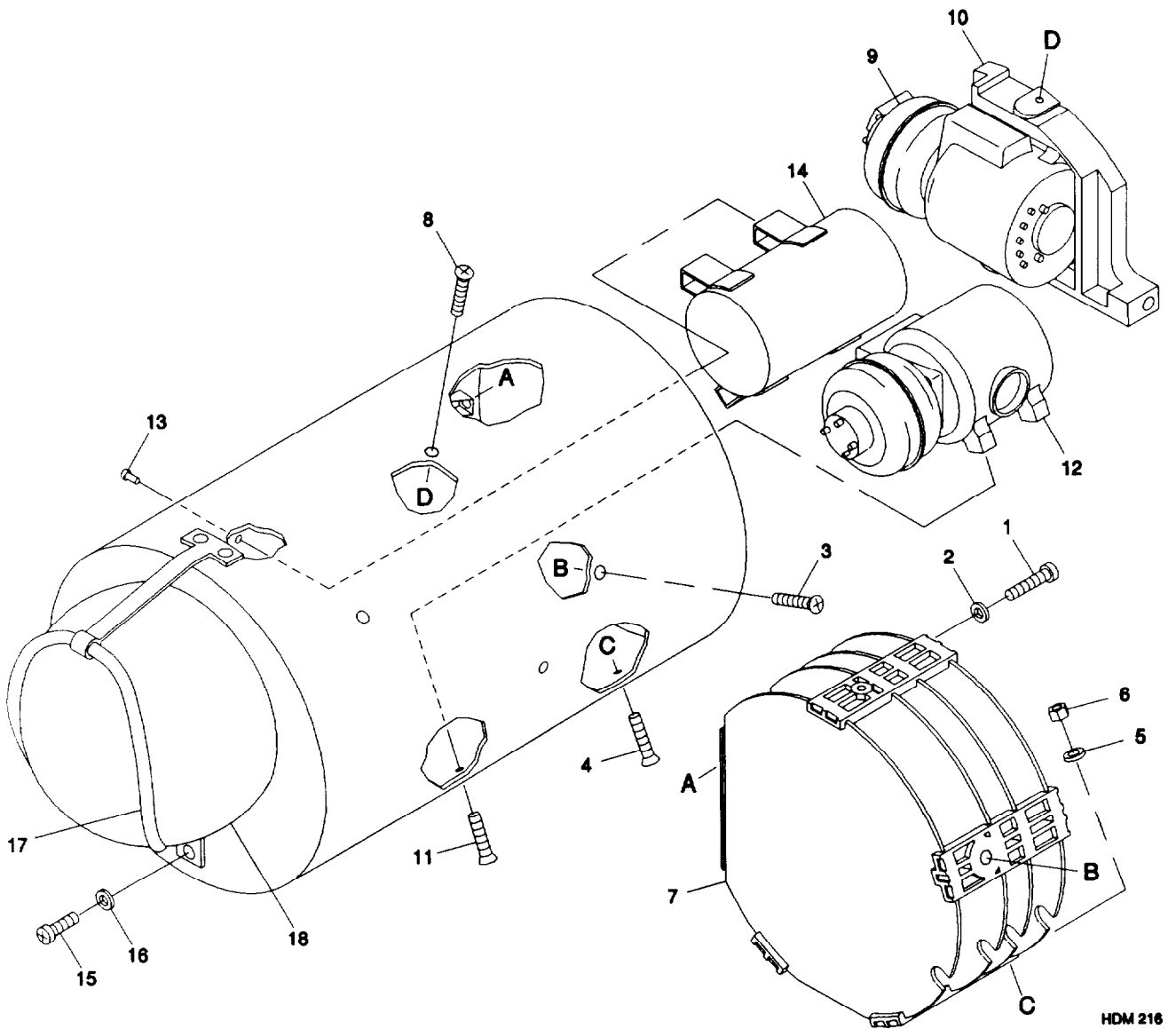
One



3.23.2 Demilitarization

a. Autopilot electronics assembly removal (figure 3-9):

- (1) Remove screw (1) flat washer (2) and screw (3).
- (2) Remove two screws (4) flat washers (5) and nuts (6).



HDM 216

- | | | |
|--------------------|-----------------------------------|---------------------------|
| 1. SCREW | 7. AUTOPILOT ELECTRONICS ASSEMBLY | 13. RIVET (4) |
| 2. FLAT WASHER | 8. SCREW (2) | 14. THERMAL BATTERY |
| 3. SCREW | 9. DISPLACEMENT GYRO | 15. SCREW |
| 4. SCREW (2) | 10. MOUNTING BRACKET | 16. FLAT WASHER |
| 5. FLAT WASHER (2) | 11. SCREW (4) | 17. STRAP |
| 6. NUT (2) | 12. DISPLACEMENT GYRO | 18. PNEUMATIC ACCUMULATOR |

Figure 3-9 Guidance Section Group Disassembly

- (3) Remove autopilot electronics assembly (7).
- (4) Demilitarize autopilot electronics assembly, PN 13008091, as prescribed in paragraph 3.24.
- b. Displacement gyro removal (figure 3-9):
 - (1) Remove two screws (8) and remove displacement gyro (9) with mounting bracket (10).
 - (2) Remove four screws (11) and displacement gyro (12).
 - (3) Demilitarize displacement gyro, PN 13007947 or 13010252, as prescribed in paragraph 3.26.
- c. Thermal battery removal (figure 3-9):
 - (1) Using 3/32" punch, punch out center of four rivets (13).
 - (2) Using 3/16" drill bit, drill through heads of four rivets (13).
 - (3) Using 3/32" punch, punch out shanks of four rivets (13).
 - (4) Remove thermal battery (14).
 - (5) Demilitarize thermal battery, PN 13007948 or 13227650, as prescribed in paragraph 3.27.
- d. Pneumatic accumulator removal (figure 3-9):
 - (1) Remove screw (15) and washer (16) securing strap (17).
 - (2) Remove pneumatic accumulator (18).
 - (3) Demilitarize pneumatic accumulator, PN 13008160, as prescribed in paragraph 3.28.

3.24 AUTOPILOT ELECTRONICS ASSEMBLY 13008030, 13008091, AND 13362292 DEMILITARIZATION

Demilitarize autopilot electronics assembly by smashing as prescribed in paragraph 2.6.

3.25 INTERCONNECT CCA 13008038 AND 13008078, COMPENSATOR CCA 13008035, 13008087, AND 13362440, LOGIC CCA 13008043, 13008084, AND 13362442, AND ACTUATOR ELECTRONICS CCA 13008010 AND 13008081 DEMILITARIZATION

Demilitarize CCA by smashing as prescribed in paragraph 2.6.

3.26 DISPLACEMENT GYRO 13007947 AND 13010252 DEMILITARIZATION

Demilitarize displacement gyro by mutilating as prescribed in paragraph 2.5.

3.27 THERMAL BATTERY 13007948 AND 13227650 DEMILITARIZATION

Demilitarize thermal battery by detonating as prescribed in paragraph 2.4.

3.28 PNEUMATIC ACCUMULATOR 13008160 DEMILITARIZATION

Demilitarize pneumatic accumulator by detonating as prescribed in paragraph 2.4.

3.29 ACCUMULATOR BURST DISC CUTTER SQUIB 13008112 DEMILITARIZATION

Demilitarize accumulator burst disk cutter squib by detonating as prescribed in paragraph 2.4.

3.30 WARHEAD ASSEMBLY 13008250, 13008725, 13362294, AND 13362368 DEMILITARIZATION

Demilitarize warhead assembly by detonating as prescribed in paragraph 2.4.

3.31 WARHEAD 13008252, 13008676, AND 13362311 DEMILITARIZATION

Demilitarize warhead by detonating as prescribed in paragraph 2.4.

3.32 FUZE 13008601 AND 13362356 DEMILITARIZATION

Demilitarize fuze by detonating as prescribed in paragraph 2.4.

3.33 DETONATOR CONTROL ASSEMBLY 13362360 DEMILITARIZATION

Demilitarize detonator control assembly by detonating as prescribed in paragraph 2.4.

3.34 BILLET ASSEMBLY CASE 13362369 DEMILITARIZATION

Demilitarize billet assembly case by mutilating as prescribed in paragraph 2.5.

3.35 FORWARD WARHEAD ADAPTER ASSEMBLY 13362377 DEMILITARIZATION

Demilitarize forward warhead adapter assembly by detonating as prescribed in paragraph 2.4.

Section II AGM-114K Missile Demilitarization

The preferred demilitarization method for the AGM-114K missile consists of disassembling the missile and demilitarizing missile subassemblies. If it is necessary to demilitarize an AUR due to safety or other considerations, the missile should be detonated as prescribed in paragraph 3.36.

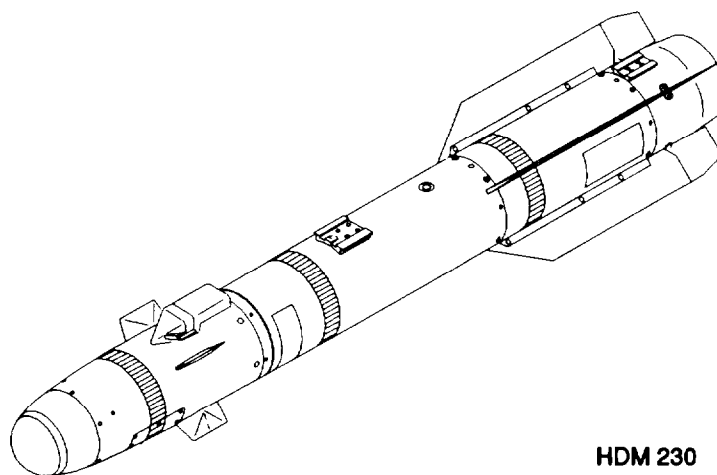


Figure 3-10 AGM-114K Missile

3.36 GUIDED MISSILE 13415000, 13415050, 13415100, AND 13415213 DETONATION

This paragraph provides specific information to detonate an AUR. For general detonation information, refer to paragraph 2.4.

WARNING

Missile requires two-man lift. Failure to comply may result in serious personnel injury or equipment damage.

- a. Place AUR in pit or trench, approximately 4 feet deep, with nose against embankment.
- b. Place 15 pounds of explosive (composition C4 or equivalent) as shown in figure 3-11.
- c. Cover missile with approximately 2 feet of earth.
- d. Ensure that area is clear of personnel.
- e. Detonate explosive in accordance with local directives.
- f. In case of misfire, wait at least 30 minutes, after which not more than two qualified personnel shall examine misfire.
- g. Search surrounding area to ensure complete destruction of missile components.

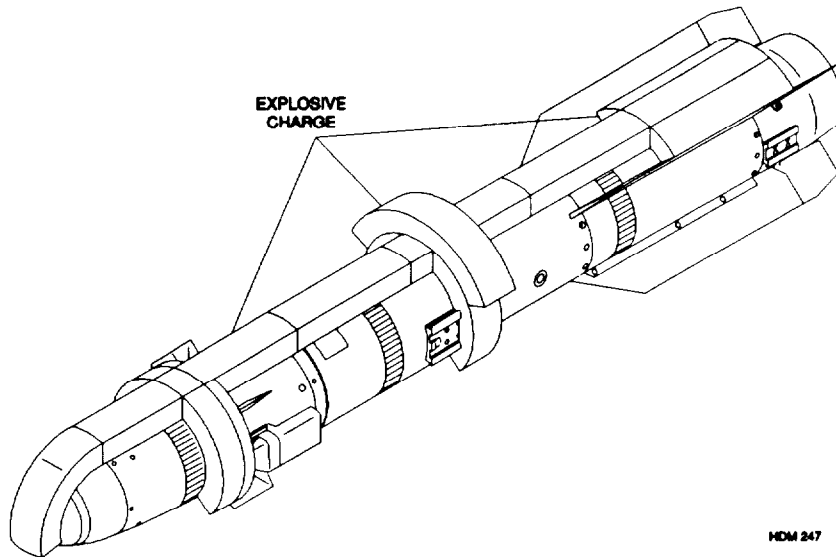


Figure 3-11 AGM-114K Explosive Placement

3.37 GUIDED MISSILE 13415000, 13416050, 13415100, AND 13416213 DEMILITARIZATION

Demilitarization of the guided missile consists of removing and demilitarizing subassemblies in the sequence provided.

3.37.1 Initial Setup

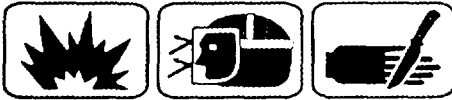
Tools:

- Bit, #2 Philips, 1/4" hex shank, 3" long
- Bit, hex, 3/32", 1/4" hex shank
- Bit, hi-torque, #2, 1/4" drive
- Bit, torque set, #4, 1/4" hex shank
- Bit, torque set, #6, 1/4" hex shank
- Bit, torque set, #10, 1/4" hex shank
- Crowfoot wrench, 7/16", 1/4" drive
- Extension bar, 6"., 1/4" drive
- Handle, ratchet, 1/4" drive
- Handle, spinner, 1/4" drive, 6" long
- Holder, 1/4" hex bit, 1/4" drive (mag)
- Key, hex, 1/2"
- Knife, utility

- Pliers, diagonal cutting, 4"
- Screwdriver, 1/8" flat tip, 6" long
- Shorting plug 13007838
- Socket, deep-well, 3/8", 1/4" drive
- Socket set, 1/4" drive
- Socket wrench, 5/64" hex, 1/4" drive
- Socket wrench, 7/64" hex, 1/4" drive
- Tool, removal, control section, T7A776480
- Wrench, combination, 1/2"
- Wrench, flare nut, 11 mm, 3/8" drive
- Wrench, open-end, 30°/60°, 11 mm

Personnel required:

Two



3.37.2 Demilitarization

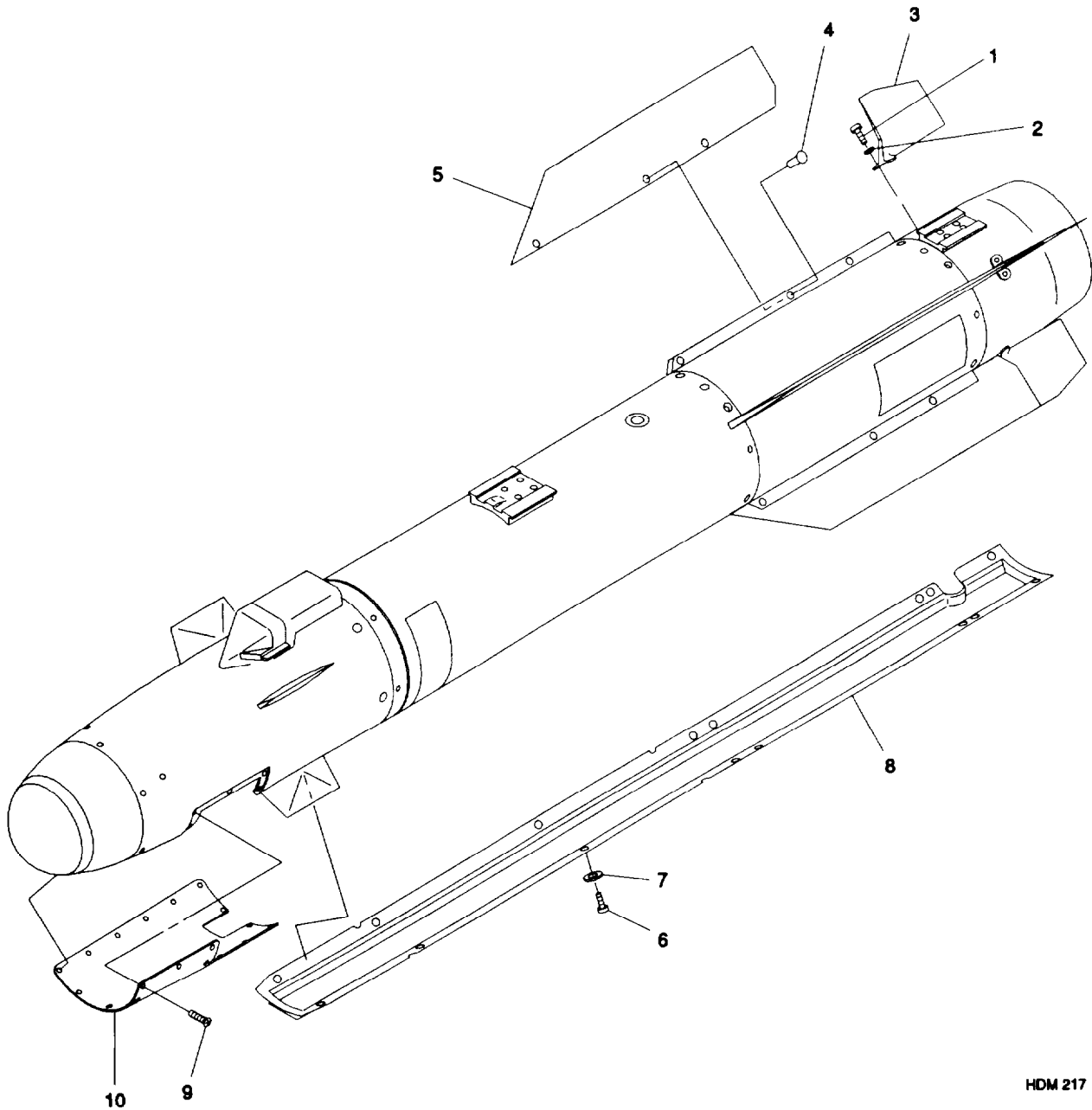
WARNING

Missile requires two-man lift. Failure to comply may result in serious personnel injury or equipment damage.

NOTE

If an EPC is installed on the missile, the EPC must be removed as prescribed in paragraph 3.75 before proceeding with missile demilitarization.

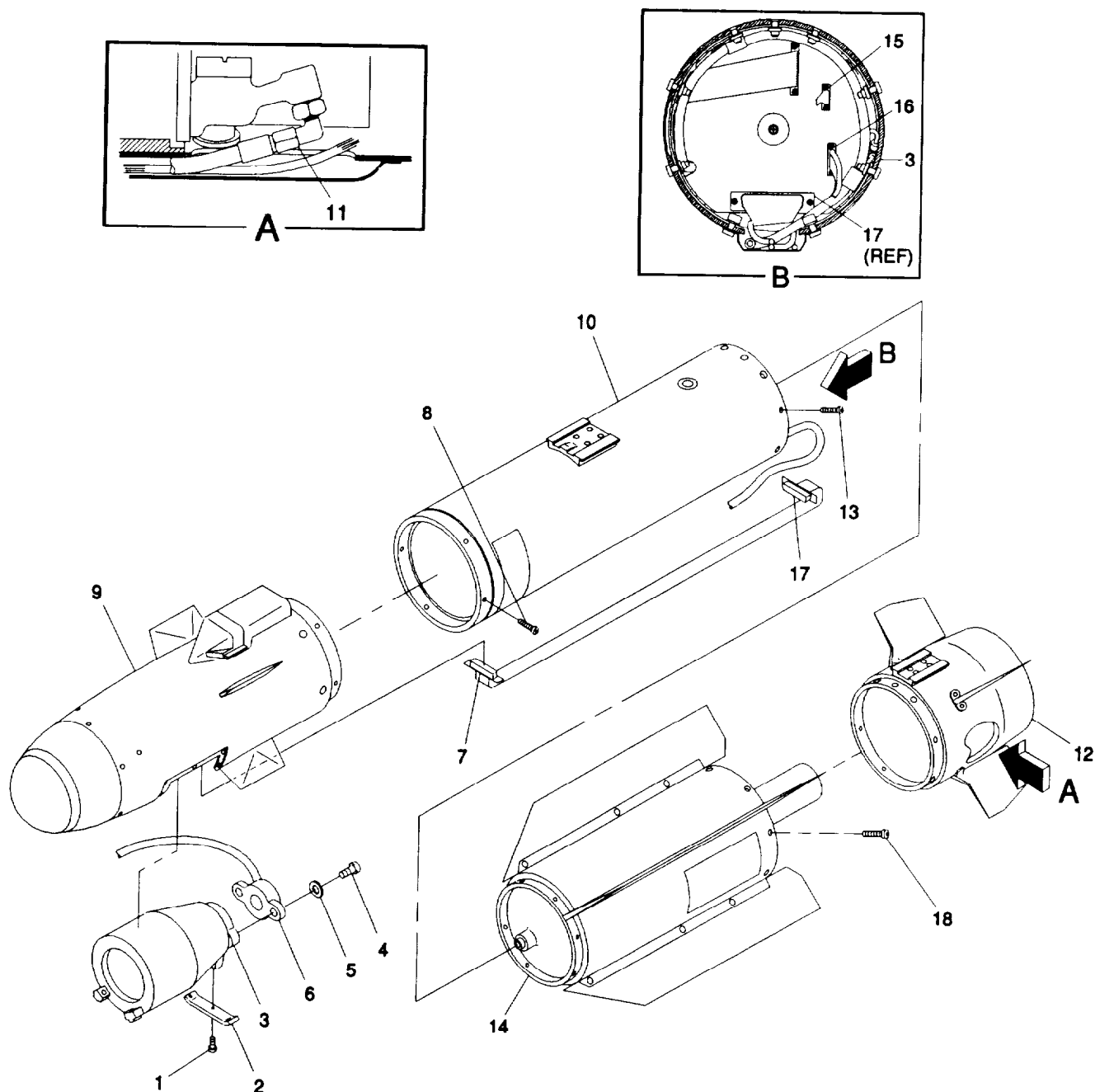
- a. Fin removal (figure 3-12):
 - (1) Remove two screws (1) and washers (2).
 - (2) Remove fin (3).
 - (3) Demilitarize fin, PN 13008306-1 or 13008306-2, as prescribed in paragraph 3.19
- b. Access cover removal (figure 3-12):
 - (1) Remove 16 screws (6) and washers (7), and remove wire harness cover (8)
 - (2) Remove 19 screws (9), and remove bottom access cover (10)
- c. Forward Warhead Precursor (FWP) removal (figure 3-13):
 - (1) Remove four screws (1), mounting bracket (2), and FWP (3)
 - (2) Remove two screws (4) and washers (5) and remove FWP (3) from Warhead Firing Module (WFW) (6).
 - (3) Demilitarize FWP, PN 13414794, as prescribed in paragraph 3.38.
- d. Guidance section removal (figure 3-13):
 - (1) Disconnect connector 1W1P1 (7) by loosening two captive screws.
 - (2) Remove six screws (8).
 - (3) Cut sealing compound between guidance section (9) and warhead section (10)
 - (4) Remove guidance section (9)
 - (5) Demilitarize guidance section, PN 13414810, as prescribed in paragraph 3.39
- e. Warhead section removal (figure 3-13):
 - (1) Remove compression fitting (11) from control section (12).
 - (2) Remove seven bolts (13).



HDM 217

- | | | |
|---------------|----------------|-------------------------|
| 1. SCREW (2) | 5. WING | 8. WIRE HARNESS COVER |
| 2. WASHER (2) | 6. SCREW (18) | 9. SCREW (18) |
| 3. FIN | 7. WASHER (16) | 10. BOTTOM ACCESS COVER |
| 4. RIVET (3) | | |

Figure 3-12 AGM-114K Fin, Wing, Wire Harness Cover, and Bottom Access Cover Removal



HDM 218

- | | | |
|---------------------------------------|-------------------------|------------------------|
| 1. SCREW (4) | 7. CONNECTOR 1W1P1 | 13. BOLT (7) |
| 2. MOUNTING BRACKET | 8. SCREW (6) | 14. PROPULSION SECTION |
| 3. FORWARD WARHEAD
PRECURSOR (FWP) | 9. GUIDANCE SECTION | 15. CONNECTOR A3W1 |
| 4. SCREW (2) | 10. WARHEAD SECTION | 16. CONNECTOR A4W1 |
| 5. WASHER (2) | 11. COMPRESSION FITTING | 17. CONNECTOR 1W1P2 |
| 6. WARHEAD FIRING MODULE
(WFM) | 12. CONTROL SECTION | 18. BOLT (6) |

Figure 3-13 AGM-114K Disassembly

- (3) Cut sealing compound between warhead section (10) and propulsion section (14)
 - (4) Separate warhead section (10) from propulsion section (14)
 - (5) Disconnect connector A3W1 (15) from warhead section (10) by alternately loosening two captive screws.
 - (6) Install shorting plug, PN 13007838, on connector A3W1 (15).
 - (7) Disconnect connector A4W1 (16) from warhead section (10) by alternately loosening two captive screws.
 - (8) Disconnect connector 1W1P2 (17) from warhead section (10) by alternately loosening two captive screws.
 - (9) Remove warhead section (10).
 - (10) Demilitarize warhead section, PN 13414875, as prescribed in paragraph 3.47.
- f. Propulsion section removal (figure 3-13):
- (1) Remove six bolts (18).
 - (2) Cut sealing compound between propulsion section (14) and control section (12)
 - (3) Remove propulsion section (14).
 - (4) Demilitarize propulsion section, PN 13007345, as prescribed in paragraph 3.56.
- g. Demilitarize control section, PN 13417650, as prescribed in paragraph 3.60.

3.38 FORWARD WARHEAD PRECURSOR 13414794 AND 13470150 DEMILITARIZATION

Demilitarize FWP by detonating as prescribed in paragraph 2.4.

3.39 GUIDANCE SECTION 13414810 DEMILITARIZATION

The preferred demilitarization method for the guidance section is mutilating as prescribed in paragraph 2.5. If desired, the guidance section may be demilitarized by removing and demilitarizing subassemblies in the sequence provided.

3.39.1 Initial Setup

Tools:

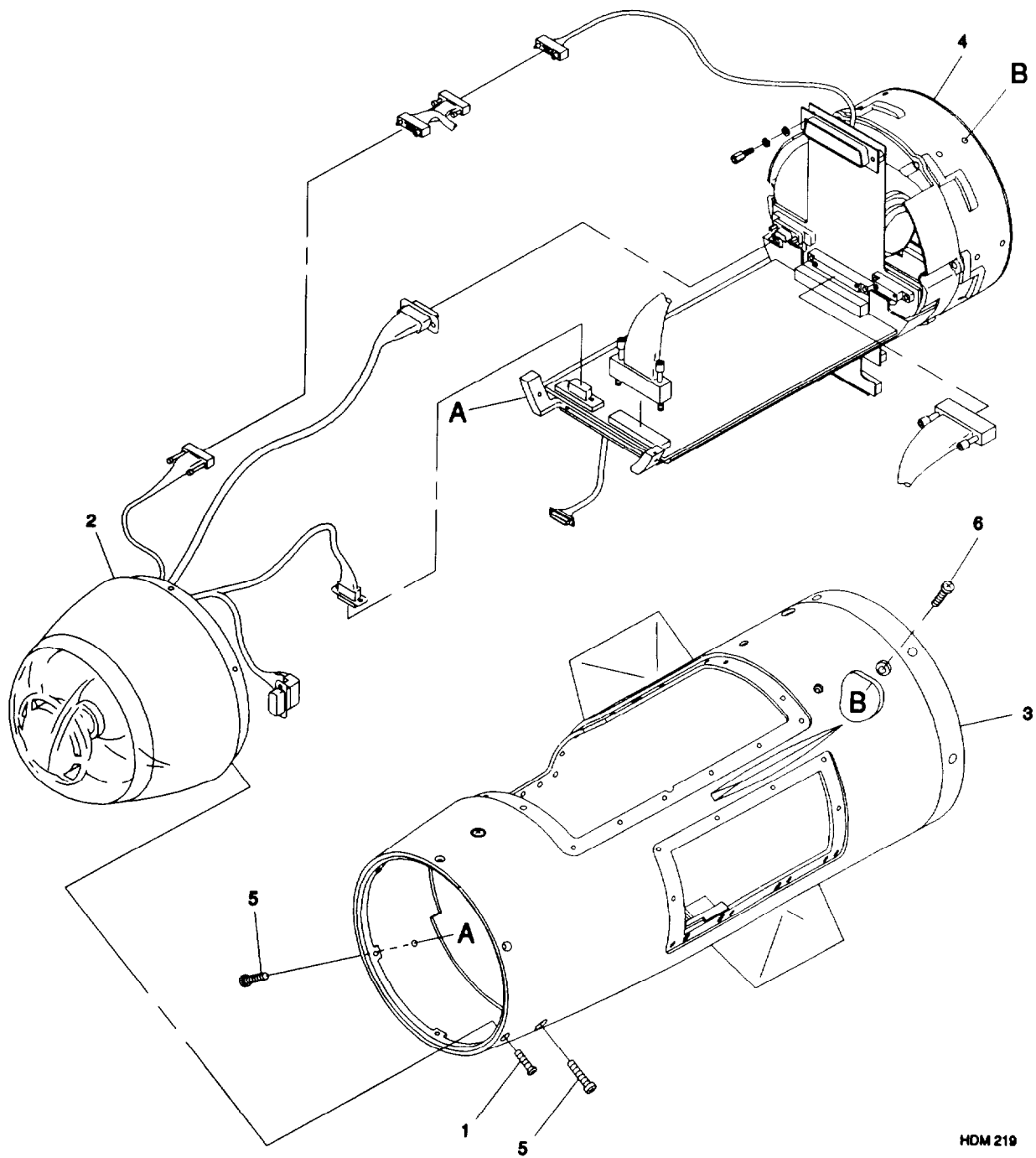
Knife, utility
Pliers, diagonal cutting, 4"
Screwdriver, 1/8" flat tip, 6" long

Personnel required:

One

3.39.2 Demilitarization

- a. Sensor group removal (figure 3-14):
- (1) Remove six screws (1)
 - (2) Cut sealing compound between sensor group (2) and housing (3)
 - (3) Separate sensor group (2) from housing (3).



HDM 219

- 1. SCREW(S)
- 2. SENSOR GROUP
- 3. HOUSING

- 4. GUIDANCE ELECTRONICS GROUP

- 5. SCREW (2)
- 6. SCREW (6)

Figure 3-14 AGM-114K Guidance Section Disassembly

- (4) Cut wires and cables between sensor group (2) and guidance electronics group (4).
 - (5) Remove sensor group (2).
 - (6) Demilitarize sensor group, PN 13414820, as prescribed in paragraph 3.40.
- b. Guidance electronics group removal (figure 3-14):
- (1) Remove two screws (5).
 - (2) Remove six screws (6).
 - (3) Turn guidance electronics group (4) counterclockwise and remove from housing (3).
 - (4) Demilitarize guidance electronics group, PN 13414830, as prescribed in paragraph 3.43
- c. Demilitarize housing (3) by mutilating as prescribed in paragraph 2.5.

3.40 SENSOR GROUP 13414820 DEMILITARIZATION

Demilitarization of the sensor group consists of removing and demilitarizing subassemblies in the sequence provided.

3.40.1 Initial Setup

Tools:

Installation tool, dome, T7-776249
Nut, spanner, T7-776070
Screwdriver, 1/8" flat tip, 6" long

Personnel required:

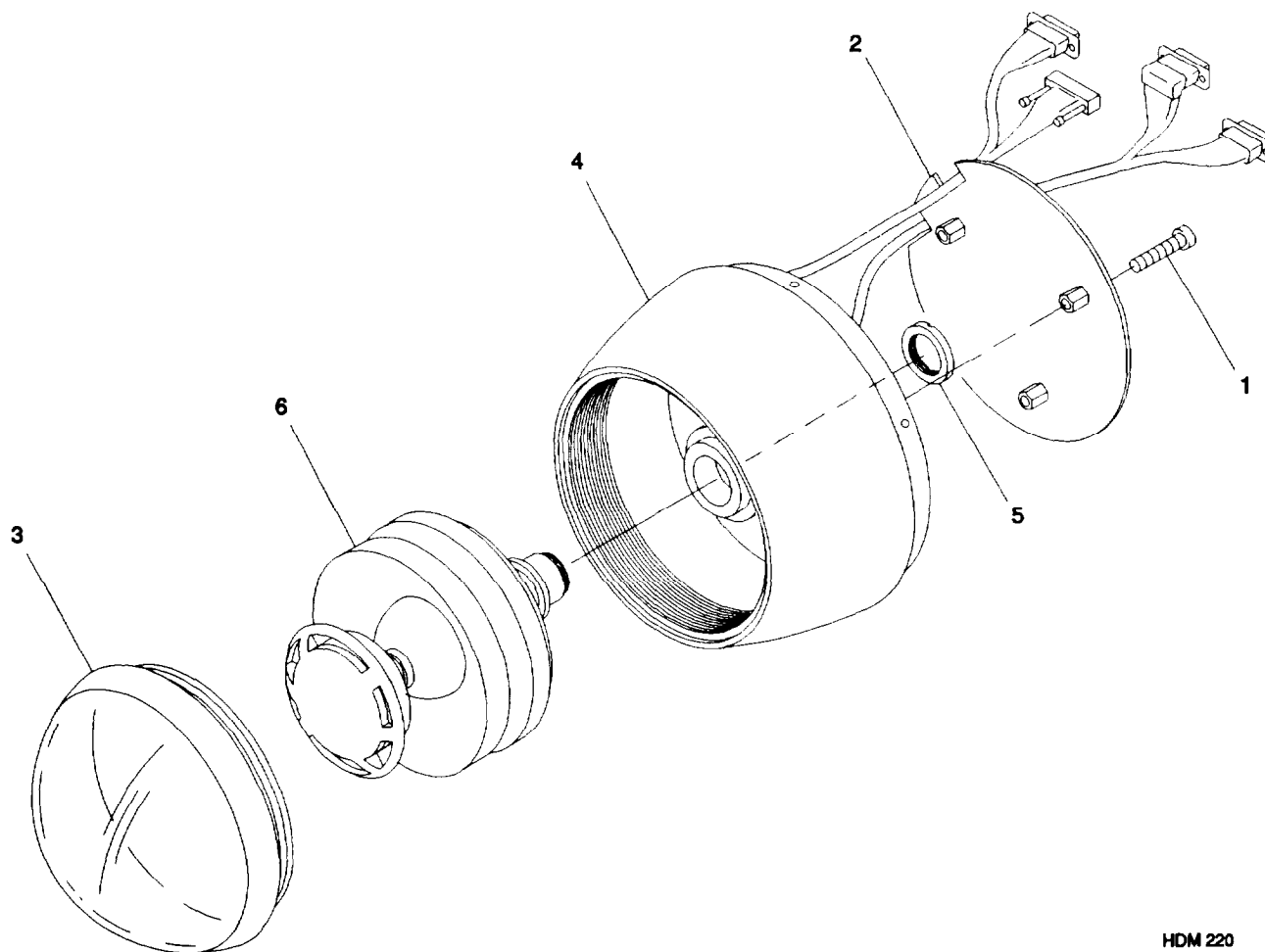
Two

3.40.2 Demilitarization

- a. Video amplifier CCA removal (figure 3-15):
- (1) Remove three screws (1)
 - (2) Remove video amplifier CCA (2)
 - (3) Demilitarize video amplifier CCA, PN 13414825, as prescribed in paragraph 3.46
- b. Gyro optics assembly removal (figure 3-15):
- (1) Using dome installation tool, T7-776249, remove dome (3) from potted coil assembly (4).
 - (2) Unscrew gyro retainer (5) and remove gyro optics assembly (6)
 - (3) Demilitarize gyro optics assembly, PN 13414821, as prescribed in paragraph 3.41.

3.41 GYRO OPTICS ASSEMBLY 13414821 DEMILITARIZATION

- a. Disposition gyro optics assembly for recovery of gold plating in accordance with local directives.
- b. After recovery of gold plating, demilitarize gyro optics assembly by mutilating as prescribed in paragraph 2.5.



HDM 220

- | | | |
|------------------------|-------------------------|-------------------------|
| 1. SCREW (3) | 3. DOME | 5. GYRO RETAINER |
| 2. VIDEO AMPLIFIER CCA | 4. POTTED COIL ASSEMBLY | 6. GYRO OPTICS ASSEMBLY |

Figure 3-15 AGM-114K Sensor Group Disassembly

3.42 SENSOR ASSEMBLY 13414822 DEMILITARIZATION

Demilitarize sensor assembly by mutilating as prescribed in paragraph 2.5.

3.43 GUIDANCE ELECTRONICS GROUP 13414830 DEMILITARIZATION

Demilitarization of the guidance electronics group consists of removing and demilitarizing subassemblies in the sequence provided.

3.43.1 Initial Setup

Tools:

Screwdriver, 1/8" flat tip, 6" long
 Screwdriver, #2 Phillips

Personnel required:

One

3.43.2 Demilitarization

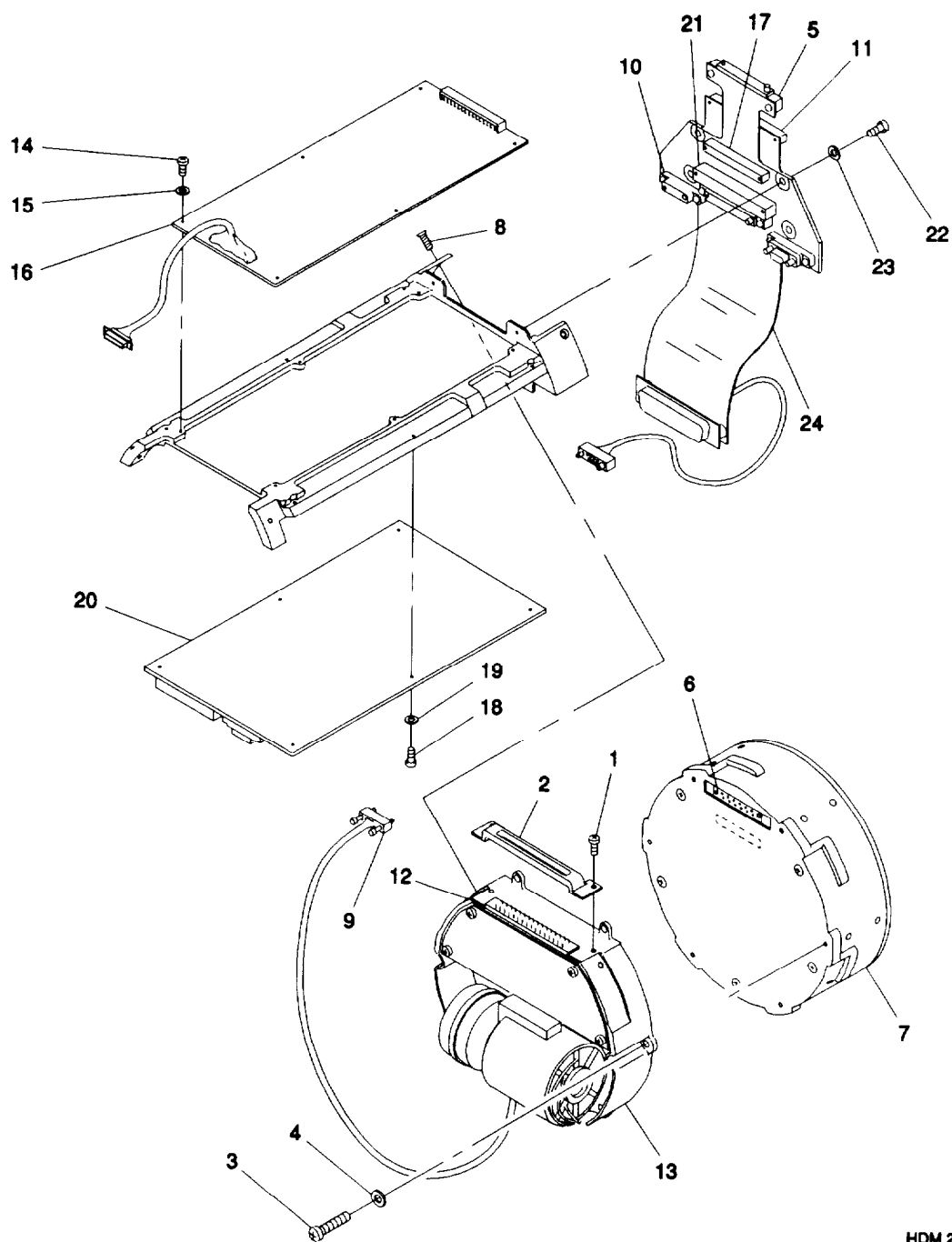
- a. Power supply removal (figure 3-16):
 - (1) Remove two screws (1) and connector bracket (2).
 - (2) Remove six screws (3) and washers (4).
 - (3) Disconnect connector A2A3P1 (5) from connector A2A4A1J1 (6) by alternately loosening two captive screws, and remove power supply (7).
 - (4) Demilitarize power supply, PN 13414835, as prescribed in paragraph 3.44.
- b. Spin torquer assembly removal (figure 3-16):
 - (1) Remove two screws (8).
 - (2) Disconnect connector A2A4A2P1 (9) from connector A2A3J3 (10) by alternately loosening two captive screws.
 - (3) Disconnect connector A2A3P2 (11) from connector A2A4A1P1 (12) and remove spin torquer assembly (13).
 - (4) Demilitarize spin torquer assembly, PN 13414845, as prescribed in paragraph 3.45.
- c. Sample and hold CCA removal (figure 3-16):
 - (1) Remove six screws (14) and washers (15)
 - (2) Disconnect sample and hold CCA (16) from connector XA2P1 (17) and remove CCA.
 - (3) Demilitarize sample and hold CCA, PN 13414855, as prescribed in paragraph 3.46.
- d. Controller CCA removal (figure 3-16):
 - (1) Remove six screws (18) and washers (19)
 - (2) Disconnect controller CCA (20) from connector XA1P1 (21) and remove CCA.
 - (3) Demilitarize controller CCA, PN 13417480, as prescribed in paragraph 3.46.
- e. Motherboard CCA removal (figure 3-16):
 - (1) Remove four screws (22) and washers (23), and remove motherboard CCA (24)
 - (2) Demilitarize motherboard CCA, PN 13414865, as prescribed in paragraph 3.46.

3.44 POWER SUPPLY 13414835 DEMILITARIZATION

Demilitarize power supply by smashing as prescribed in paragraph 2.6.

3.45 SPIN TORQUER ASSEMBLY 13414845 DEMILITARIZATION

Demilitarize spin torquer assembly by smashing as prescribed in paragraph 2.6.



HDM 221

- | | | |
|-----------------------|---------------------------|---------------------|
| 1. SCREW (2) | 9. CONNECTOR A2A4A2P1 | 17. CONNECTOR XA2P1 |
| 2. CONNECTOR BRACKET | 10. CONNECTOR A2A3J3 | 18. SCREW (6) |
| 3. SCREW (6) | 11. CONNECTOR A2A3P2 | 19. WASHER (6) |
| 4. WASHER (6) | 12. CONNECTOR A2A4A1P1 | 20. CONTROLLER CCA |
| 5. CONNECTOR A2A3P1 | 13. SPIN TORQUER ASSEMBLY | 21. CONNECTOR XA1P1 |
| 6. CONNECTOR A2A4A1J1 | 14. SCREW (6) | 22. SCREW (4) |
| 7. POWER SUPPLY | 15. WASHER (6) | 23. WASHER (4) |
| 8. SCREW (2) | 16. SAMPLE AND HOLD CCA | 24. MOTHERBOARD CCA |

Figure 3-16 AGM-114K Guidance Electronics Group Disassembly

3.46 VIDEO AMPLIFIER CCA 13414825, SAMPLE AND HOLD CCA 13414855, CONTROLLER CCA 13417480, AND MOTHERBOARD CCA 13414865 DEMILITARIZATION

Demilitarize applicable CCA by smashing as prescribed in paragraph 2.6.

3.47 WARHEAD SECTION 13414875 DEMILITARIZATION

Demilitarization of the warhead section consists of removing and demilitarizing subassemblies in the sequence provided, then demilitarizing the remainder of the warhead section.

3.47.1 Initial Setup

Tools:

Bit, hex, 3/32", 1/4" hex shank
Bit, screwdriver, #2 Phillips, 1/4" hex shank
Bit, torque set, #10, 1/4" hex shank
Handle, ratchet, 1/4" drive
Handle, spinner, 1/4" drive, 6" long
Holder, 1/4" hex bit, 1/4" drive
Knife, utility

Pliers, diagonal cutting, 4"
Screwdriver, #2 Phillips, 4" long
Socket, 1/4", 1/4" drive
Socket wrench, hex, 5/32", 1/4" drive
Wrench, combination, 1/4"

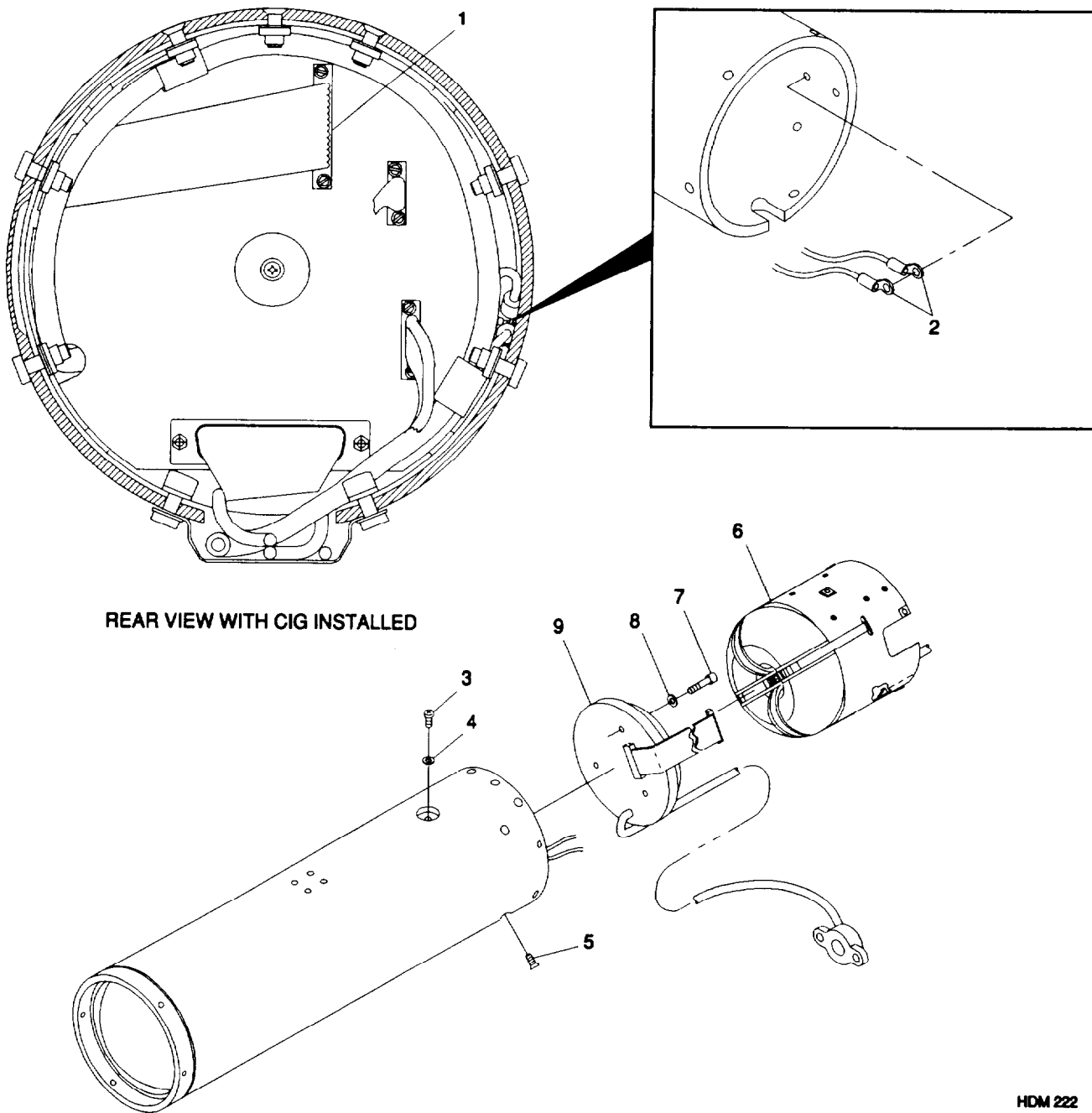
Personnel required:

One



3.47.2 Demilitarization

- a. Control interface group removal (figure 3-17):
 - (1) Disconnect connector A1P1 (1).
 - (2) Cut ground wires (2).
 - (3) Remove three bolts (3), three washers (4), and four bolts (5).
 - (4) Remove control interface group (6).
 - (5) Demilitarize control interface group, PN 13414890, as prescribed in paragraph 3.48.
- b. Electronic Safe, Arm, and Fire (ESAF) device removal (figure 3-17):
 - (1) Remove three screws (7) and washers (8).
 - (2) Cut sealing compound around ESAF device (9) and remove ESAF device.
 - (3) Demilitarize ESAF device, PN 13415200 or 13417509, as prescribed in paragraph 3.53.
- c. Demilitarize remainder of warhead section by detonating as prescribed in paragraph 2.4.



- | | | |
|-------------------|----------------------------|----------------|
| 1. CONNECTOR A1P1 | 4. WASHER (3) | 7. SCREW (3) |
| 2. GROUND WIRES | 5. BOLT (4) | 8. WASHER (3) |
| 3. BOLT (3) | 6. CONTROL INTERFACE GROUP | 9. ESAF DEVICE |

Figure 3-17 Warhead Section Disassembly

HDM 222

3.48 CONTROL INTERFACE GROUP (CIG) 13414890 DEMILITARIZATION

Demilitarization of the CIG consists of removing and demilitarizing subassemblies in the sequence provided, then demilitarizing the remainder of the CIG.

3.48.1 Initial Setup

Tools:

Bit, screwdriver, #2 Phillips, 1/4" hex shank
 Bit, torque set, #10, 1/4" hex shank
 CIG holder
 Crowfoot wrench, 7/16", 1/4" drive
 Handle, ratchet, 1/4" drive
 Holder, 1/4" hex bit, 1/4" drive
 Pliers, diagonal cutting, 4"

Screwdriver, #2 Phillips, 4" long
 Socket, deep-well, 3/8", 1/4" drive
 Wrench, combination, 1/4"
 Wrench, combination, 5/8"
 Wrench, flare nut, 7/16"

Personnel required:

One

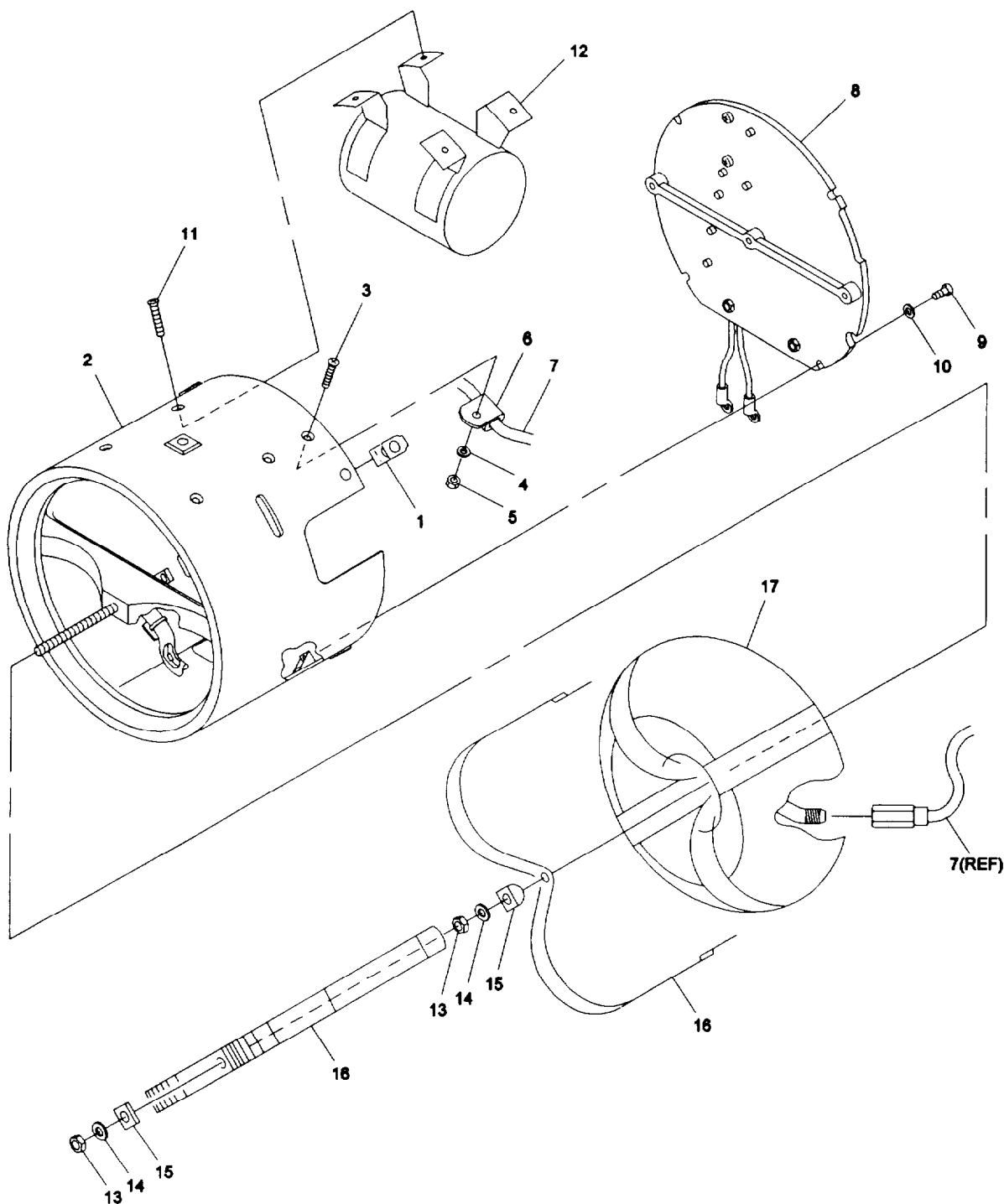


3.48.2 Demilitarization

- a. Control interface assembly CCA removal (figure 3-18):
 - (1) Remove four nutplates (1) from housing (2)
 - (2) Remove two screws (3), washers (4), nuts (5), and loop clamps (6)
 - (3) Position pneumatic hose (7) as required for access to control interface assembly CCA (8)
 - (4) Remove four screws (9) and washers (10).
 - (5) Cut wires from control interface assembly CCA (8) and remove CCA.
 - (6) Demilitarize control interface assembly CCA, PN 13415116, as prescribed in paragraph 3.49.
- b. Thermal battery removal (figure 3-18):
 - (1) Remove four screws (11) and thermal battery (12)
 - (2) Demilitarize thermal battery, PN 13415150, as prescribed in paragraph 3.50
- c. Pneumatic accumulator removal (figure 3-18):
 - (1) Remove two nuts (13), washers (14), retainers (15), and straps (16) that secure pneumatic accumulator (17).
 - (2) Disconnect pneumatic hose (7) and remove pneumatic accumulator (17)
 - (3) Demilitarize pneumatic accumulator, PN 13415175, as prescribed in paragraph 3.51.
- d. Demilitarize remainder of CIG by mutilating as prescribed in paragraph 2.5.

3.49 CONTROL INTERFACE ASSEMBLY CCA 13415116 DEMILITARIZATION

Demilitarize control interface assembly CCA by smashing as prescribed in paragraph 2.6.



HDM 208

- | | | |
|-------------------|----------------------|---------------------------|
| 1. NUTPLATE (4) | 7. PNEUMATIC HOSE | 12. THERMAL BATTERY |
| 2. HOUSING | 8. CONTROL INTERFACE | 13. NUT (2) |
| 3. SCREW (2) | 9. SCREW (4) | 14. WASHER (2) |
| 4. WASHER (2) | 10. WASHER (4) | 15. RETAINER (2) |
| 5. NUT (2) | 11. SCREW (4) | 16. STRAP (2) |
| 6. LOOP CLAMP (2) | | 17. PNEUMATIC ACCUMULATOR |

Figure 3-16 Control Interface Group Disassembly

3.50 THERMAL BATTERY 13415150 DEMILITARIZATION

Demilitarize thermal battery by detonating as prescribed in paragraph 2.4.

3.51 PNEUMATIC ACCUMULATOR 13415175 DEMILITARIZATION

Demilitarize pneumatic accumulator by detonating as prescribed in paragraph 2.4.

3.52 ACCUMULATOR BURST DISC CUTTER SQUIB 13415190 DEMILITARIZATION

Demilitarize accumulator burst disc cutter squib by detonating as prescribed in paragraph 2.4.

3.53 ELECTRONIC SAFE, ARM, AND FIRE DEVICE 13415200 AND 13417509 DEMILITARIZATION

Demilitarize ESAF by detonating as prescribed in paragraph 2.4.

3.54 WARHEAD FIRING MODULE 13417365 AND 13417384 DEMILITARIZATION

Demilitarize WFM by detonating as prescribed in paragraph 2.4.

3.55 WARHEAD ASSEMBLY 13414880 AND 13470140 DEMILITARIZATION

Demilitarize warhead assembly by detonating as prescribed in paragraph 2.4.

3.56 PROPULSION SECTION 13007345 DEMILITARIZATION

Demilitarization of the propulsion section consists of removing and demilitarizing the wings, then demilitarizing the remainder of the propulsion section.

3.56.1 Initial Setup

Tools:

Drill, electric, variable speed, 3/8"

Drill set, twist, 29 pc, 1/16" - 1/2"

Hammer, ball peen, 4 oz.

Punch, drive, 3/32" pt., 4" long

Personnel required:

One



3.56.2 Demilitarization

- a. Wing removal (figure 3-12):
 - (1) Using 3/32" punch, punch out center of three rivets (4)
 - (2) Using 3/16" drill bit, drill through heads of three rivets (4)
 - (3) Using 3/32" punch, punch out shanks of three rivets (4)
 - (4) Remove wing (5)
 - (5) Demilitarize wing, PN 13007685, as prescribed in paragraph 3.14
- b. Demilitarize remainder of propulsion section by detonating as prescribed in paragraph 2.4.

3.57 ROCKET MOTOR 13227895 DEMILITARIZATION

Demilitarize rocket motor by detonating as prescribed in paragraph 2.4.

3.58 SAFE-ARM IGNITER 13227897 DEMILITARIZATION

Demilitarize safe-arm igniter by detonating as prescribed in paragraph 2.4

3.59 IGNITER 13227898 DEMILITARIZATION

Demilitarize igniter by detonating as prescribed in paragraph 2.4

3.60 CONTROL SECTION 13417650 DEMILITARIZATION

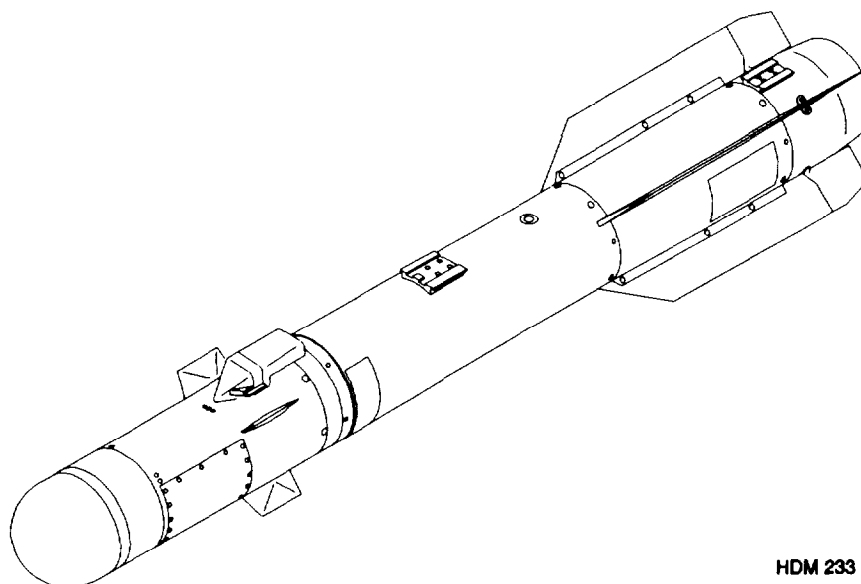
Demilitarize control section by mutilating as prescribed in paragraph 2.5.

3.61 ACTUATOR MODULE ASSEMBLY 13417651 DEMILITARIZATION

Demilitarize actuator module assembly by mutilating as prescribed in paragraph 2.5

Section III AGM-114L Missile Demilitarization

The preferred demilitarization method for the AGM-114L missile consists of disassembling the missile and demilitarizing missile subassemblies. If it is necessary to demilitarize an AUR due to safety or other considerations, the missile should be detonated as prescribed in paragraph 3.62.



HDM 233

Figure 3-19 AGM-114L Missile

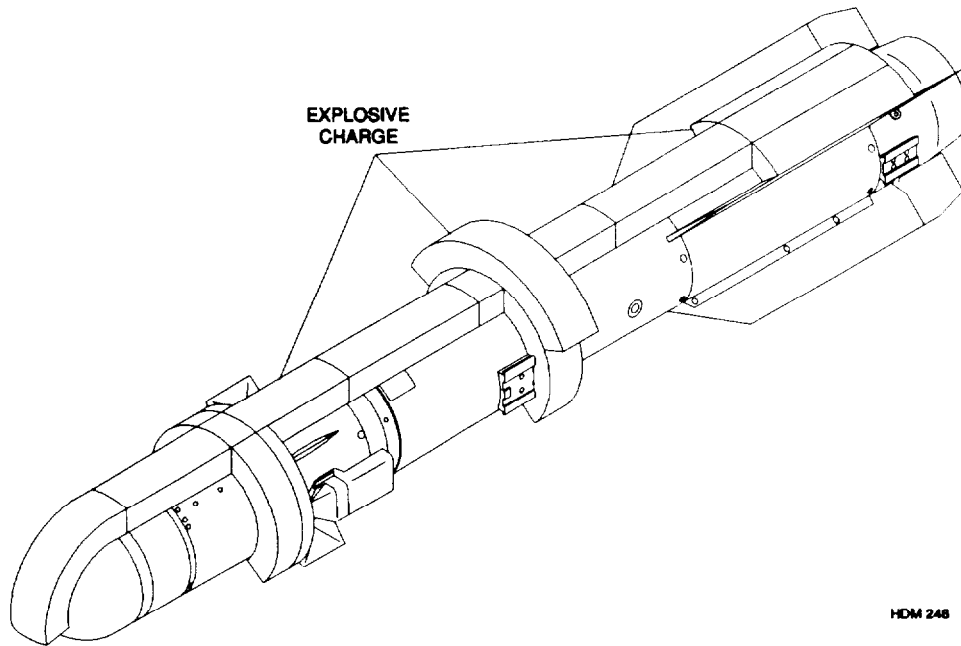
3.62 GUIDED MISSILE 13403000 DETONATION

This paragraph provides specific information to detonate an AUR. For general detonation information refer to paragraph 2.4.

WARNING

Missile requires two-man lift. Failure to comply may result in serious personnel injury or equipment damage.

- a. Place AUR in pit or trench, approximately 4 feet deep, with nose against embankment.
- b. Place 15 pounds of explosive (composition C4 or equivalent) as shown in figure 3-20.
- c. Cover missile with approximately 2 feet of earth.
- d. Ensure that area is clear of personnel.
- e. Detonate explosive in accordance with local directives.
- f. In case of misfire, wait at least 30 minutes, after which not more than two qualified personnel shall examine misfire.
- g. Search surrounding area to ensure complete destruction of missile components.



HDM 248

Figure 3-20 AGM-114L Explosive Placement

3.63 GUIDED MISSILE 13403000 DEMILITARIZATION

Demilitarization of the guided missile consists of removing and demilitarizing subassemblies in the sequence provided.

363.1 Initial Setup

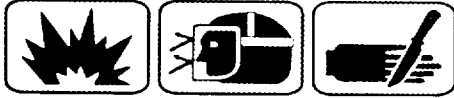
Tools:

- Bit, hex, 3/32", 1/4" hex shank
- Bit, hi-torque, #2, 1/4" drive
- Bit, screwdriver, #2 Philips, 1/4" hex shank
- Bit, torque set, #4, 1/4" hex shank
- Bit, torque set, #/6, 1/4" hex shank
- Bit, torque set, #10, 1/4" hex shank
- Crowfoot wrench, 7/16", 1/4" drive
- Extension, 6, 1/4" drive
- Handle, ratchet, 1/4" drive
- Handle, spinner, 6" long, 1/4" drive
- Holder, 1/4" hex bit, 1/4" drive (mag)
- Key, hex, 1/2"

- Knife, utility
- Shorting plug 13007838
- Socket, deep-well, 3/8", 1/4" drive
- Socket wrench, hex, 5/64", 1/4" drive
- Socket wrench, hex, 7/64", 1/4" drive
- Socket set, 1/4" drive
- Tool, removal, control section, T7A776480
- Wrench, combination, 1/2",
- Wrench, flare nut, 11 mm, 3/8" drive
- Wrench, open-end, 30°/60°, 11 mm

Personnel required:

One



3.63.2 Demilitarization

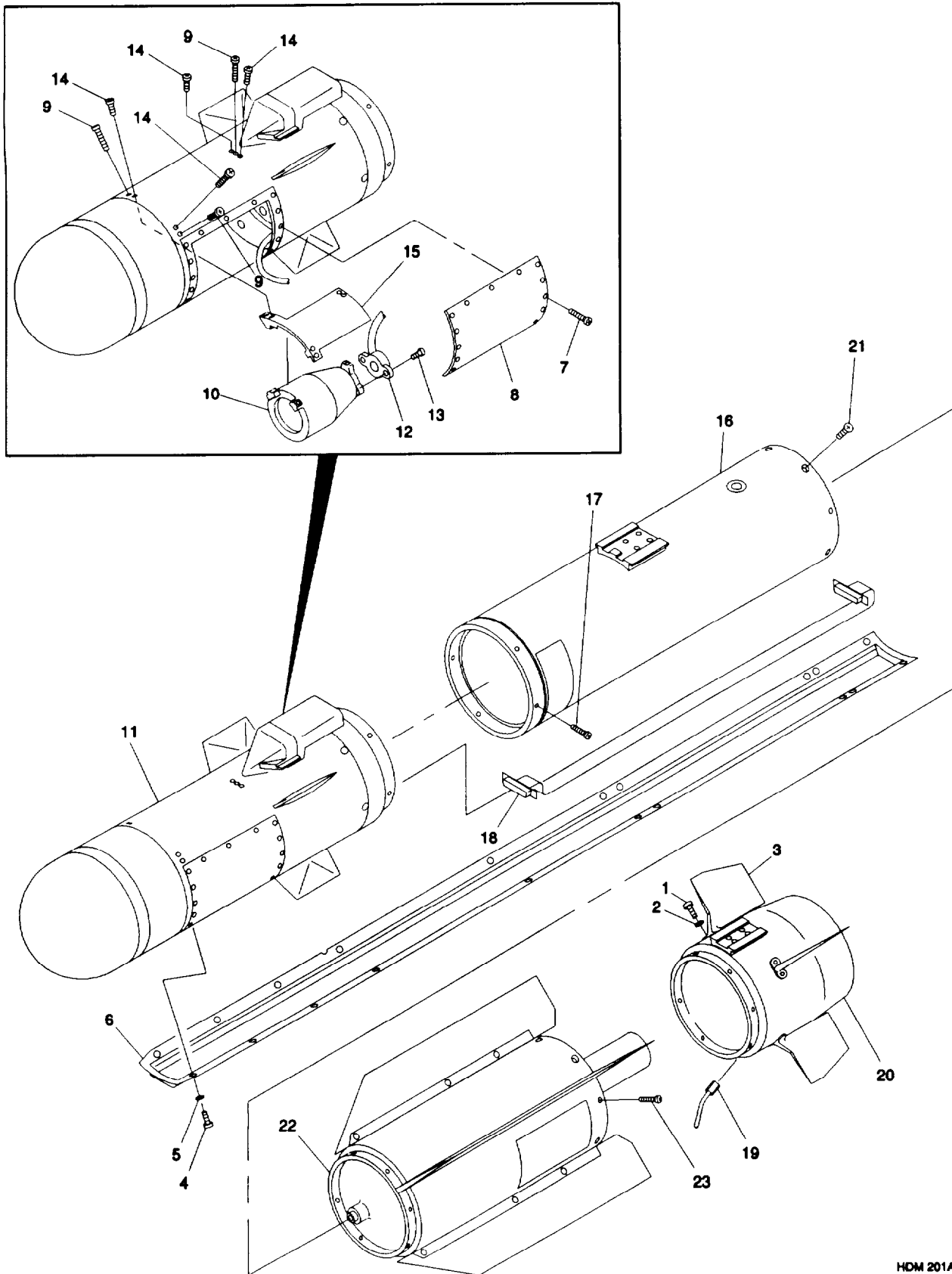
WARNING

Missile requires two-man lift. Failure to comply may result in serious personnel injury or equipment damage.

NOTE

If an EPC and/or squib assembly is installed on the missile, it must be removed as prescribed in paragraph 3.77 before proceeding with missile demilitarization.

- a. Fin removal (figure 3-21):
 - (1) Remove two screws (1) and washers (2)
 - (2) Remove fin (3)
 - (3) Demilitarize fin, PN 13008306-1, as prescribed in paragraph 3.19.
- b. Forward Warhead Precursor (FWP) removal (figure 3-21):
 - (1) Remove 20 screws (4) and washers (5) securing wiring harness cover (6) to missile and remove cover.
 - (2) Remove 16 screws (7) that secure precursor door (8)
 - (3) Cut sealant around edge of precursor door (8) and remove door
 - (4) Remove three screws (9) securing forward warhead precursor (10) to guidance section (11)
 - (5) Remove forward warhead precursor (10) from guidance section (11) through precursor door opening and position as required for access to WFM (12).
 - (6) Remove two screws (13) securing WFM (12) to FWP (10) and separate FWP from WFM
 - (7) Route WFM (12) out through opening in bottom of guidance section (11)
 - (8) Demilitarize FWP, PN 13414794, as prescribed in paragraph 3.38
- c. Guidance section removal (figure 3-21):
 - (1) Remove four screws (14) that secure forward warhead mount (15) and remove forward warhead mount through precursor door opening.
 - (2) Remove six screws (17) that secure guidance section (11) to warhead section (16).
 - (3) Cut and remove sealant between guidance section (11) and warhead section (16).
 - (4) Separate guidance section (11) from warhead section (16) as required for access to connector 1W1P1 (18) and disconnect 1W1P1 from guidance section (11).



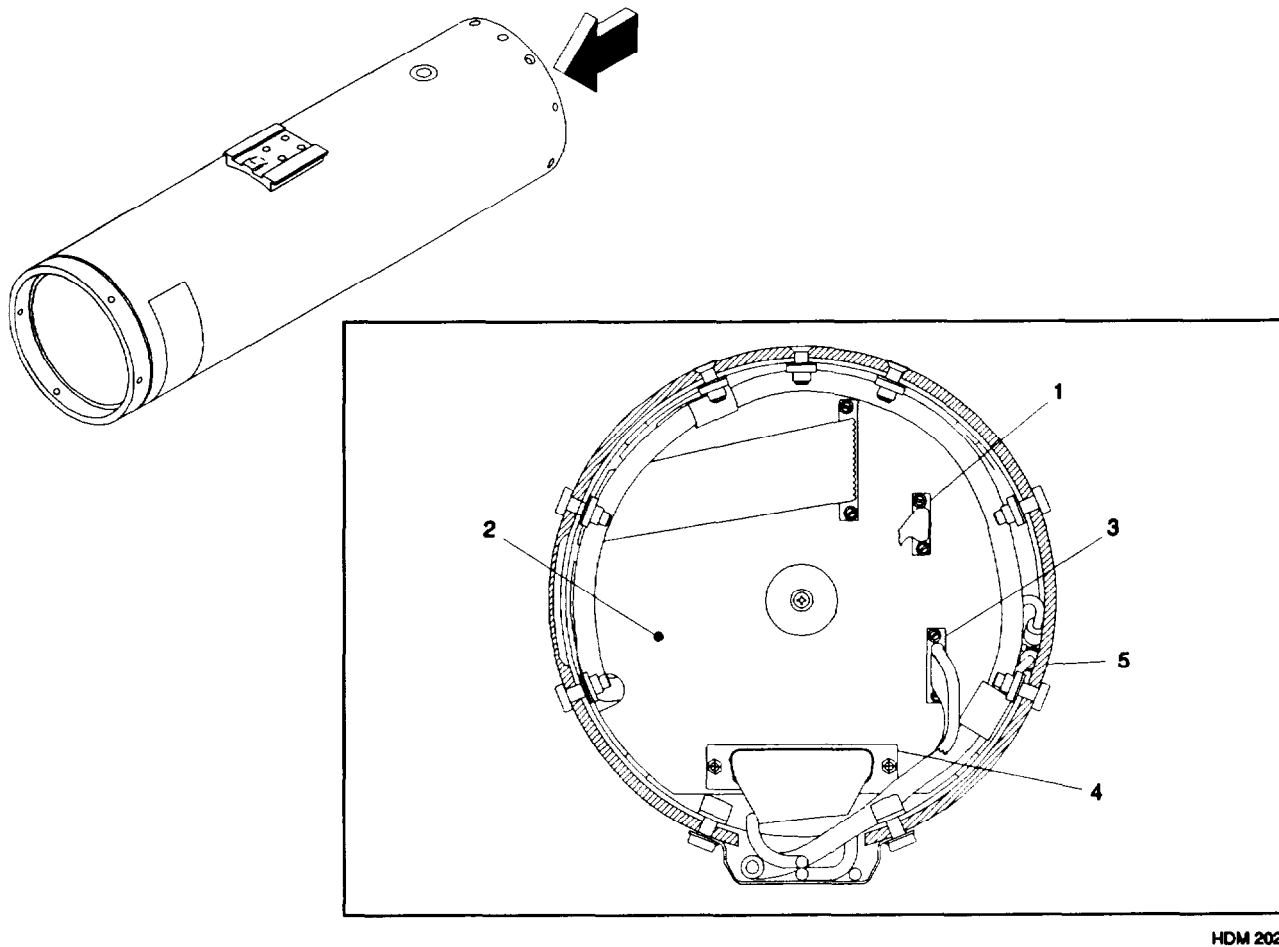
HDM 201A

Figure 3-21 AGM-114L Disassembly

Legend for figure 3-21:

1. SCREW (2)	9. SCREW (3)	16. WARHEAD SECTION
2. WASHER (2)	10. FORWARD WARHEAD PRECURSOR	17. SCREW (6)
3. FIN	11. GUIDANCE SECTION	18. CONNECTOR 1W1P1
4. SCREW (20)	12. WARHEAD FIRING MODULE	19. PNEUMATIC HOSE
5. WASHER (20)	13. SCREW (2)	20. CONTROL SECTION
6. WIRING HARNESS COVER	14. SCREW (4)	21. SCREW (7)
7. SCREW (16)	16. FORWARD WARHEAD MOUNT	22. PROPULSION SECTION
8. PRECURSOR DOOR		23. SCREW (8)

- (5) Remove guidance section (11).
- (6) Demilitarize guidance section, PN 13402281, as prescribed in paragraph 3.64
- d. Warhead section separation (figure 3-21):
- (1) Remove electrical insulation tape securing pneumatic hose (19) and wiring harnesses to propulsion section (22).
 - (2) Disconnect pneumatic hose (19) from control section (20) fitting.
 - (3) Remove seven screws (21) that secure propulsion section (22) to warhead section (16)
 - (4) Cut sealant in splice joint between propulsion section (22) and warhead section (16)
 - (5) Carefully separate propulsion section (22) and warhead section (16) as required for access to connections.
- e. Warhead section removal (figure 3-22):
- (1) Alternately loosen two captive screws and disconnect connector A3P1 (1) from control interface CCA (2).
 - (2) Install shorting plug, PN 13007838, on connector A3P1 (1).
 - (3) Alternately loosen two captive screws and disconnect connector A4P1 (3) from control interface CCA (2).
 - (4) Disconnect connector 1W1P2 (4) from control interface CCA (2) and remove wiring harness from warhead section (5).
 - (5) Demilitarize warhead section, PN 13414875, as prescribed in paragraph 3.47
- f. Propulsion section removal (figure 3-21):
- (1) Cut sealant in splice joint between propulsion section (22) and control section (20).
 - (2) Remove eight screws (23) that secure propulsion section (22) to control section (20).
 - (3) Separate control section (20) from propulsion section (22) using control section removal tool.
 - (4) Demilitarize propulsion section, PN 13007345, as prescribed in paragraph 3.56
- g. Demilitarize control section, PN 13417650, as prescribed in paragraph 3.60



- | | | |
|--------------------------|--------------------|--------------------|
| 1. CONNECTOR A3P1 | 3. CONNECTOR A4P1 | 5. WARHEAD SECTION |
| 2. CONTROL INTERFACE CCA | 4. CONNECTOR 1W1P2 | |

Figure 3-22 Warhead Section Connections

3.64 GUIDANCE SECTION 13402281 DEMILITARIZATION

The preferred demilitarization method for the guidance section is mutilating as prescribed in paragraph 2.5. If desired, the guidance section may be demilitarized by removing and demilitarizing subassemblies in the sequence provided.

3.64.1 Initial Setup

Tools:

- Bit, hex, 3/32", 1/4" hex shank
- Bit, torque set, #6, 1/4" hex shank
- Bit, torque set, #6, 1/4" hex shank
- Bit, torque set, #10, 1/4" hex shank
- Crowfoot wrench, 5/16", 1/4" drive
- Extension, 6", 1/4" drive
- Handle, ratchet, 1/4" drive
- Holder, 1/4" hex bit, 1/4" drive

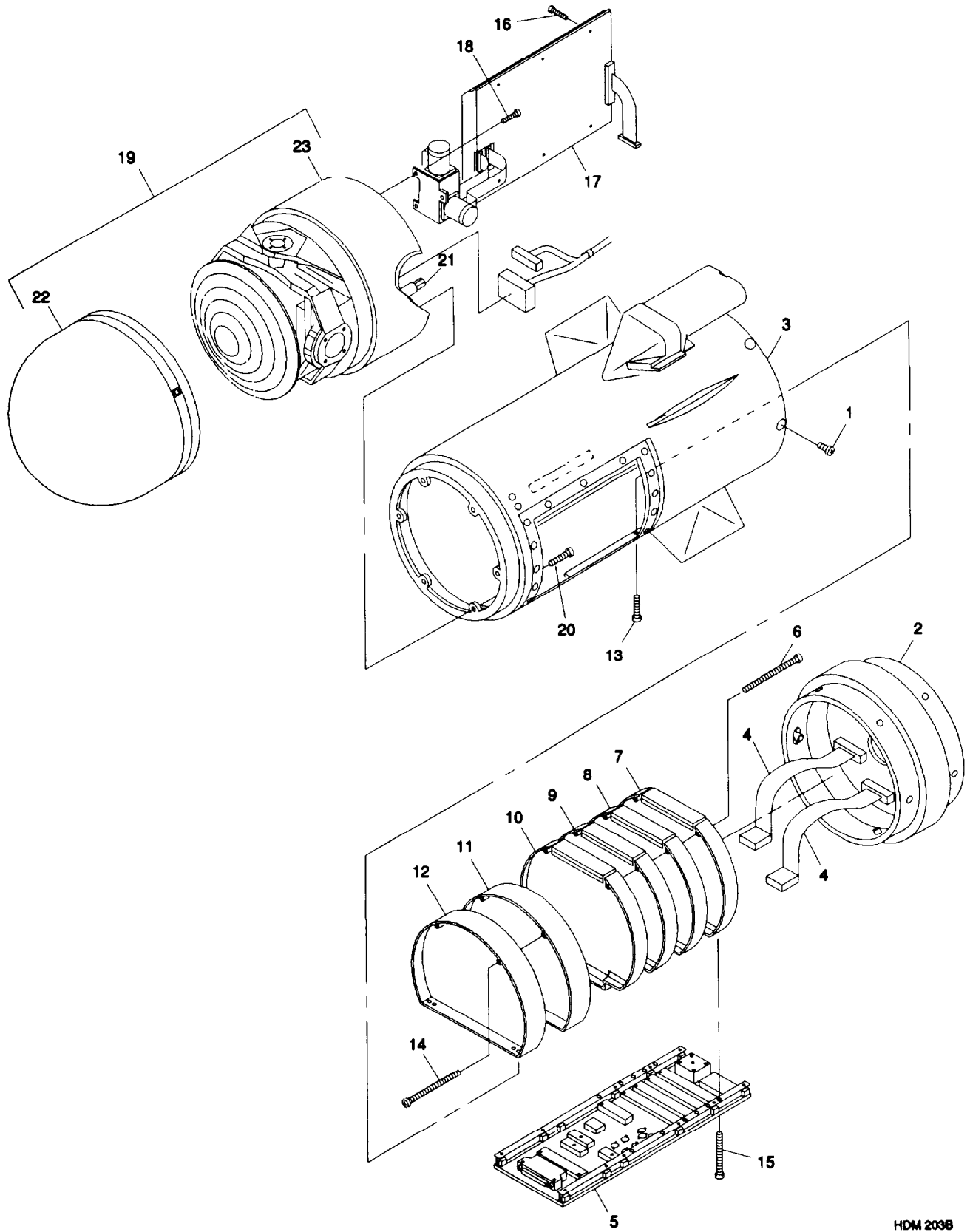
- Pliers, diagonal cutting, 4"
- Screwdriver, #1 Phillips, 3" long
- Screwdriver, 1/4" flat tip, 4" long
- Socket set, 1/4" drive
- Wrench, combination, 3/16"

Personnel required:

One

3.64.2 Demilitarization

- a. Power supply removal (figure 3-23):
 - (1) Remove seven screws (1)
 - (2) Separate power supply (2) from housing assembly (3)
 - (3) Cut two cables (4) and remove power supply (2)
 - (4) Demilitarize power supply, PN 13425604, as prescribed in paragraph 3.65.
- b. Electronic Components Assembly (ECA) removal (figure 3-23):
 - (1) Through precursor door opening, cut all cables to backplane assembly (5)
 - (2) Remove two screws (6) securing guidance section ECAs (7 through 10) to housing assembly (3).
 - (3) Remove 12 screws (13) securing guidance section ECAs (7 through 12) to housing assembly (3).
 - (4) Slide backplane assembly (5) with guidance section ECAs (7 through 12) out of housing assembly (3).
 - (5) Remove two screws (14) securing guidance section ECAs (11 and 12) to ECA (10).
 - (6) Remove 12 screws (15) securing guidance section ECAs (7 through 12) to backplane assembly (5) and remove ECAs.
 - (7) Demilitarize GPP/memory ECA (7), PN 13403472, DSP memory ECA (8), PN 13402338, Preprocessor/System Interface (PP/SI) ECA (9), PN 13402341, timing ECA (10), PN 13403471, IF receiver ECA (11), PN 13402282, exciter ECA, PN 13402345, and backplane assembly (5), PN 13402285, as prescribed in paragraph 3.66.
- c. Inertial Measurement Unit (IMU) removal (figure 3-23):
 - (1) Remove six screws (16) securing IMU (17) to housing assembly (3).
 - (2) Remove three screws (18) securing IMU (17) to antenna/gimbal assembly (23).
 - (3) Remove IMU (17) from housing assembly (3) through precursor door opening
 - (4) Demilitarize IMU, PN 13402807, as prescribed in paragraph 3.67
- d. Sensor group removal (figure 3-23):
 - (1) Remove six screws (20) securing sensor group assembly (19) to housing assembly (3) and remove sensor group assembly.
 - (2) Demilitarize sensor group assembly, PN 13403501, as prescribed in paragraph 3.68.
- e. Demilitarize remainder of guidance section by mutilating as prescribed in paragraph 2.5.



HDM 2038

Figure 3-23 AGM-114L Guidance Section Disassembly

Legend for figure 3-23:

- | | | |
|-----------------------|---------------------|-----------------------------|
| 1. SCREW (7) | 8. PP/SI ECA | 17. IMU |
| 2. POWER SUPPLY | 10. TIMING ECA | 18. SCREW (3) |
| 3. HOUSING ASSEMBLY | 11. IF RECEIVER ECA | 19. SENSOR GROUP ASSEMBLY |
| 4. CABLE (2) | 12. EXCITER ECA | 20. SCREW (6) |
| 5. BACKPLANE ASSEMBLY | 13. SCREW (12) | 21. SCHRADER VALVE |
| 6. SCREW (2) | 14. SCREW (2) | 22. RADOME |
| 7. GPP/MEMORY ECA | 15. SCREW (12) | 23. ANTENNA/GIMBAL ASSEMBLY |
| 8. DSP MEMORY ECA | 16. SCREW (6) | |

3.65 POWER SUPPLY 13425604 DEMILITARIZATION

Demilitarize power supply by smashing as prescribed in paragraph 2.6.

3.66 GPP/MEMORY ECA 13403472, DSP MEMORY ECA 13402338, PP/SI ECA 13402341, TIMING ECA 13403471, IF RECEIVER ECA 13402282, EXCITER ECA 13402345, AND BACKPLANE ASSEMBLY 13402285 DEMILITARIZATION

Demilitarize ECA or backplane assembly by smashing as prescribed in paragraph 2.6.

3.67 INERTIAL MEASUREMENT UNIT 13402807 DEMILITARIZATION

Demilitarize IMU by smashing as prescribed in paragraph 2.6.

3.68 SENSOR GROUP ASSEMBLY 13403501 DEMILITARIZATION

Demilitarization of the sensor group assembly consists of removing and demilitarizing the antenna gimbal assembly.

3.68.1 Initial Setup

Tools:

Punch, drive, 3/32" pt., 4" long
 Tool, radome torquing, T7-256110

Personnel required:

One

3.68.2 Demilitarization (Figure 3-23)



Radome may contain residual nitrogen gas under pressure (7-14 KPA) from radome purging procedures. Safety goggles must be worn when venting gas through Schrader valve located on aft bulkhead of antenna gimbal assembly prior to removal of radome.

- a. Using punch, vent residual nitrogen pressure by releasing Schrader valve (21) on antenna/gimbal assembly (23).
- b. Remove radome (22) from antenna gimbal assembly (23) using radome torquing tool, PN T7-256110.
- c. Demilitarize antenna gimbal assembly, PN 13403502, as prescribed in paragraph 3.70

3.69 GIMBAL CONTROL CCA 13403267 DEMILITARIZATION

- a. Remove components U1 and U2 (figure 3-24) from gimbal control CCA.
- b. Process components U1 and U2 in accordance with local directives for disposal of items containing beryllium oxide.
- c. Demilitarize CCA by smashing as prescribed in paragraph 2.6.

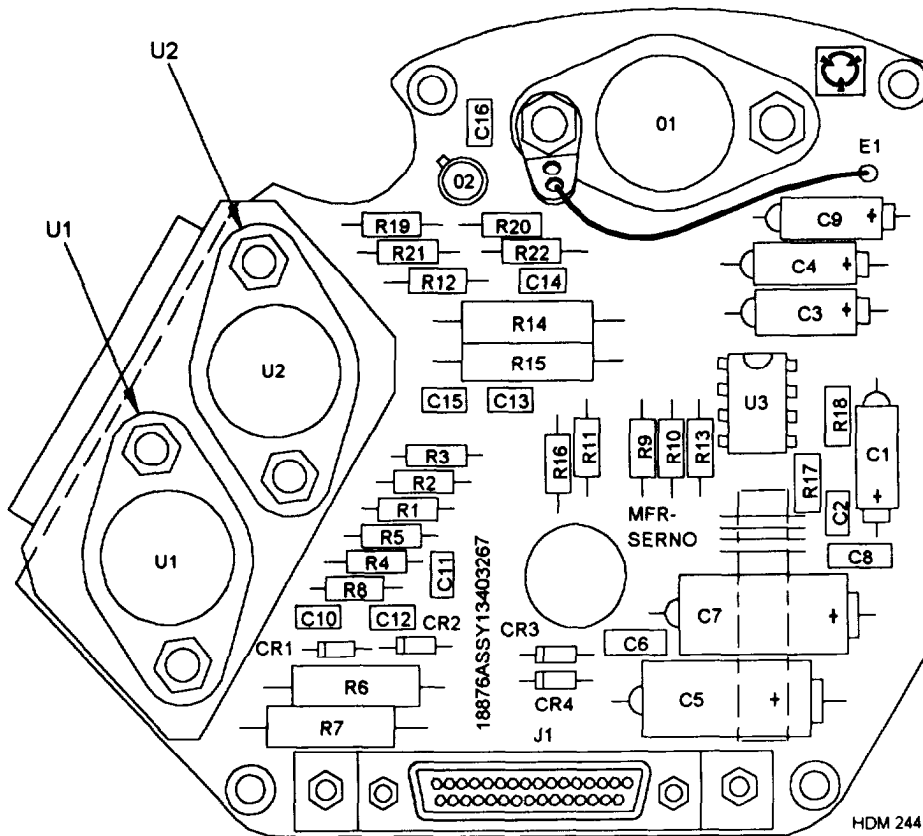


Figure 3-24 Gimbal Control CCA Component Location

3.70 ANTENNA GIMBAL ASSEMBLY 13403502 DEMILITARIZATION

Demilitarize antenna gimbal assembly by mutilating as prescribed in paragraph 2.5.

3.71 ANTENNA 13403460 DEMILITARIZATION

Demilitarize antenna by mutilating as prescribed in paragraph 2.5.

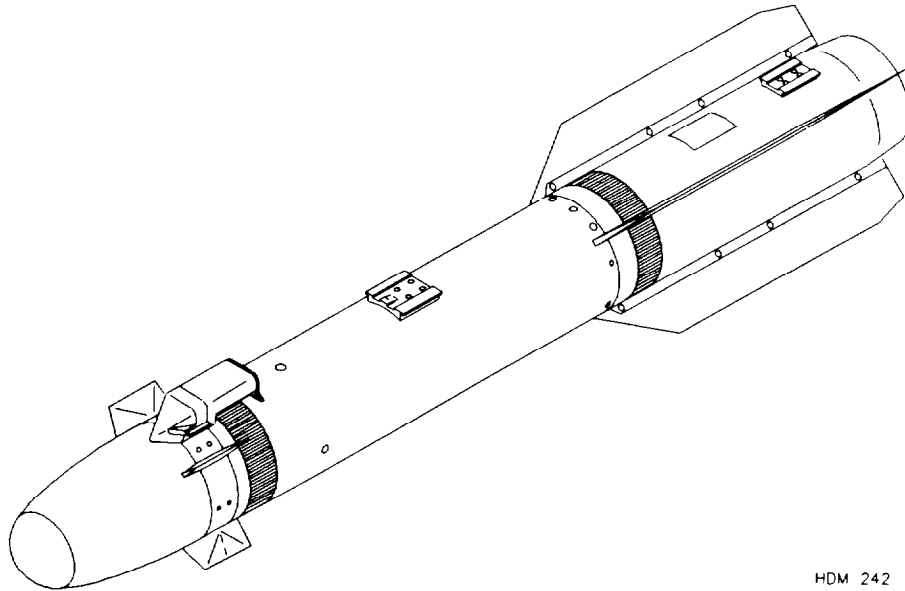
3.72 GIMBAL RATE SENSOR 13402501 DEMILITARIZATION

Demilitarize gimbal rate sensor by mutilating as prescribed in paragraph 2.5.

3.73 TRANSCEIVER 13465000 DEMILITARIZATION

Demilitarize transceiver by mutilating as prescribed in paragraph 2.5.

Section IV M36 Training Missile Demilitarization



HDM 242

Figure 3-25 M36 Training Missile

3.74 GUIDED MISSILE 13007355, 13007377, AND 13362340 DEMILITARIZATION

Demilitarization of the training missile consists of removing and demilitarizing the seeker section.

3.74.1 Initial Setup

Tools:

Bit, torque set, #8, 1/4" shank
 Bit, torqueset, #10, 1/4" shank
 Extension bar, 6", 1/4" drive
 Knife, utility
 Socket, 7/64", 1/4" drive

Socket wrench, ratchet, 1/4" drive
 Speeder wrench, 1/4" drive

Personnel required:

Two



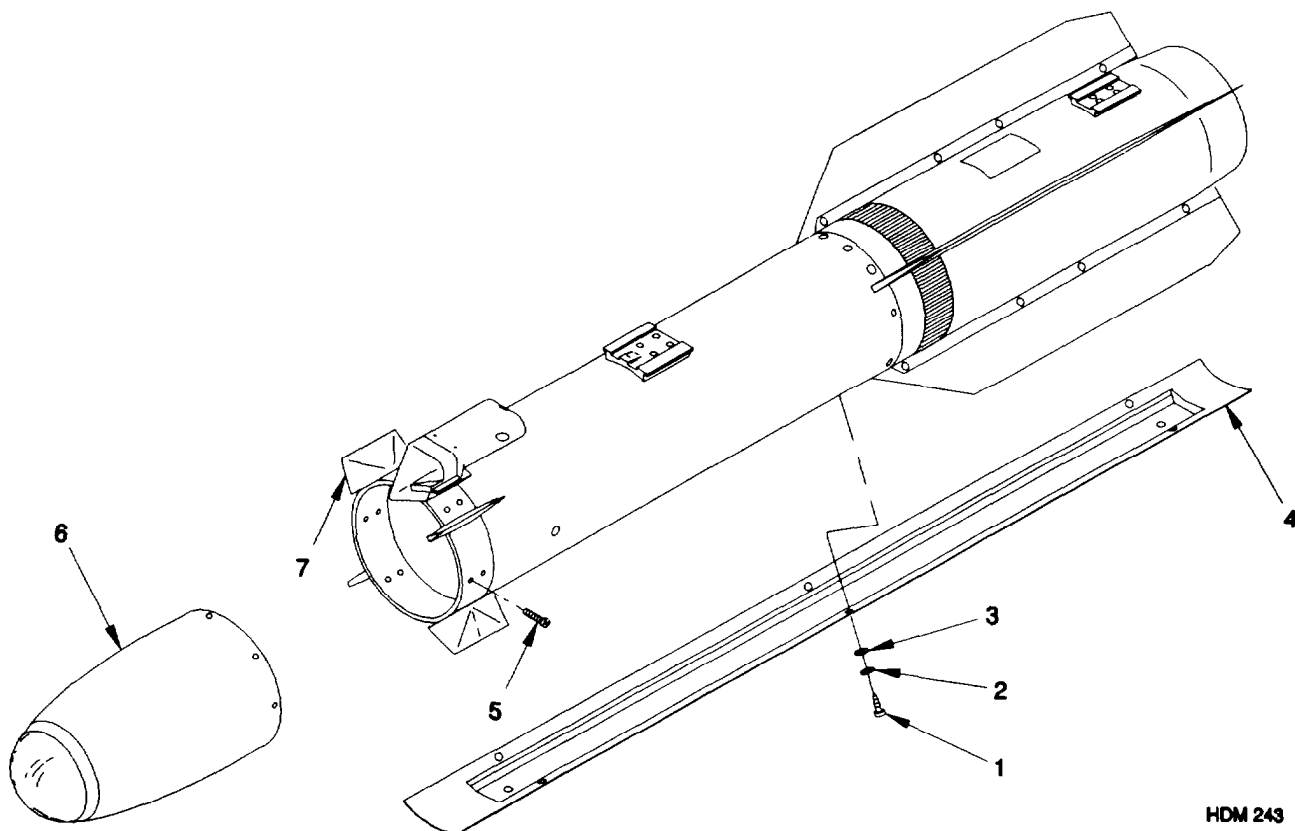
3.74.2 Demilitarization

WARNING

Missile requires two-man lift. Failure to comply may result in serious personnel injury or equipment damage.

- a. Remove six screws (1, figure 3-26) six lockwasher-s (2) six flat washers (3) and cover (4).
- b. Remove six screws (5).

- c. Cut sealing compound between seeker section (6) and seeker mounting frame (7) and remove seeker section.
- d. Demilitarize seeker section, PN 13092282, as prescribed in paragraph 3.3.



- 1. SCREW (6)
- 2. LOCKWASHER (6)
- 3. FLAT WASHER (6)

- 4. COVER
- 5. SCREW (6)

- 6. SEEKER SECTION
- 7. SEEKER MOUNTING FRAME

Figure 3-26 M36 Seeker Section Removal

Section V M179 And M180 Environmental Protective Cover Demilitarization

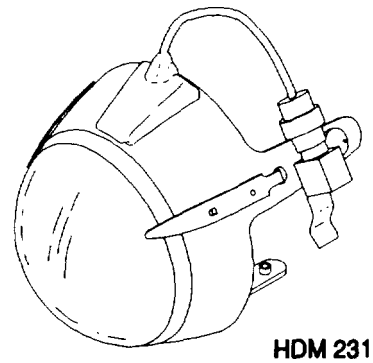


Figure 3-27 M179 and M180 Environmental Protective Cover

3.75 AGM-114A/C/F/K ENVIRONMENTAL PROTECTIVE COVER REMOVAL

3.75.1 Initial Setup

Tools:
Screwdriver, flat tip

Personnel required:
Two

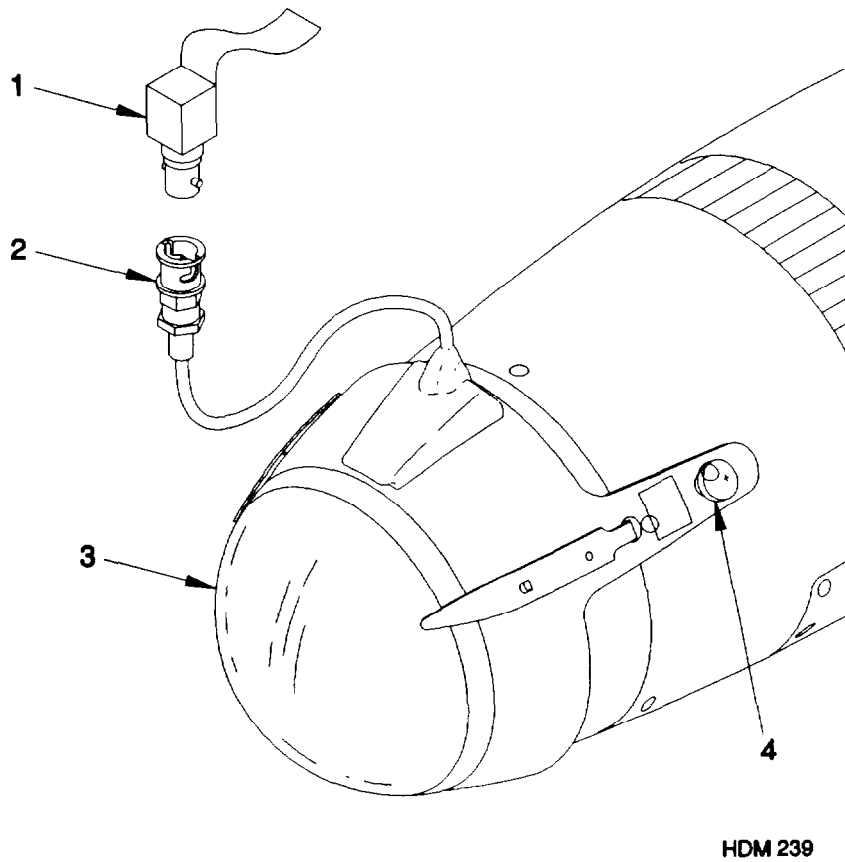


3.75.2 Removal

- a. Ensure that shorting plug (1, figure 3-28) PN 13007602, is installed on connector P1 (2) of EPC (3).
- b. Loosen three captive screws (4) and remove EPC (3) from missile.
- c. Demilitarize EPC, PN 13007667 or 13007667-2, as prescribed in paragraph 3.76.

3.76 ENVIRONMENTAL PROTECTIVE COVER 13007667, 13007667-2, 13007669, AND 13007669-2 DEMILITARIZATION

Demilitarize environmental protective cover by detonating as prescribed in paragraph 2.4.



1. SHORTING PLUG
2. CONNECTOR P1

3. EPC

4. CAPTIVE SCREW (3)

Figure 3-26 AGM-114A/C/F/K Environmental Protective Cover Removal

Section VI Environmental Protective Cover Demilitarization

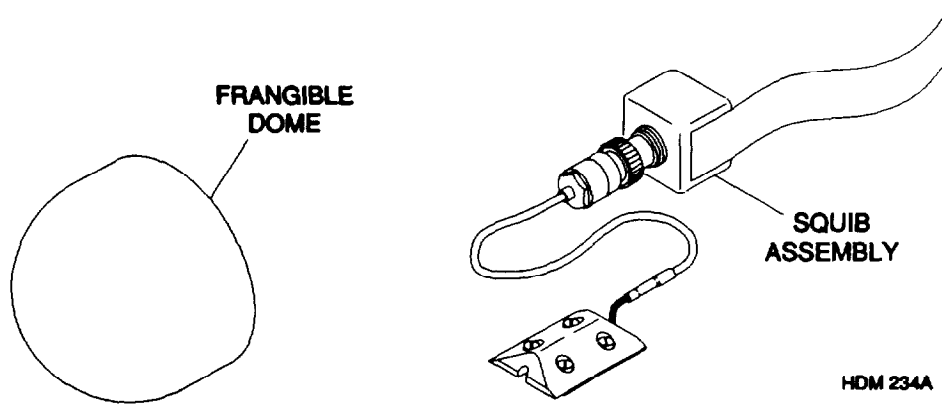


Figure 3-29 AGM-114L Environmental Protective Cover

3.77 AGM-114L ENVIRONMENTAL PROTECTIVE COVER REMOVAL

3.77.1 Initial Setup

Tools:

Screwdriver, flat tip

Personnel required:

Two



3.77.2 Removal

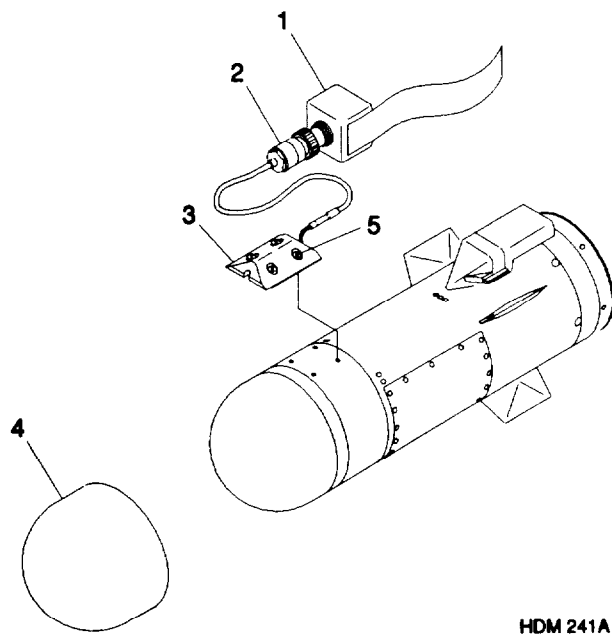
- a. Ensure that shorting plug (1, figure 3-30), PN 13007602, is installed on connector P1 (2) of squib assembly (3).
- b. Remove frangible dome (4) from missile.
- c. Loosen four captive screws (5) and remove squib assembly (3).
- d. Demilitarize squib assembly, PN 13403488, as prescribed in paragraph 3.79.

3.78 ENVIRONMENTAL PROTECTIVE COVER 13403280 DEMILITARIZATION

Demilitarize EPC by removing squib assembly from packaging and demilitarizing as prescribed in paragraph 3.79.

3.79 SQUIB ASSEMBLY 13403488 DEMILITARIZATION

Demilitarize squib assembly by detonating as prescribed in paragraph 2.4.



1. SHORTING PLUG
2. CONNECTOR P1

3. SQUIB ASSEMBLY
4. FRANGIBLE DOME

5. CAPTIVE SCREW (4)

Figure 3-30 AGM-114L Environmental Protective Cover Removal

Section VII M272 and M279 Launcher Demilitarization

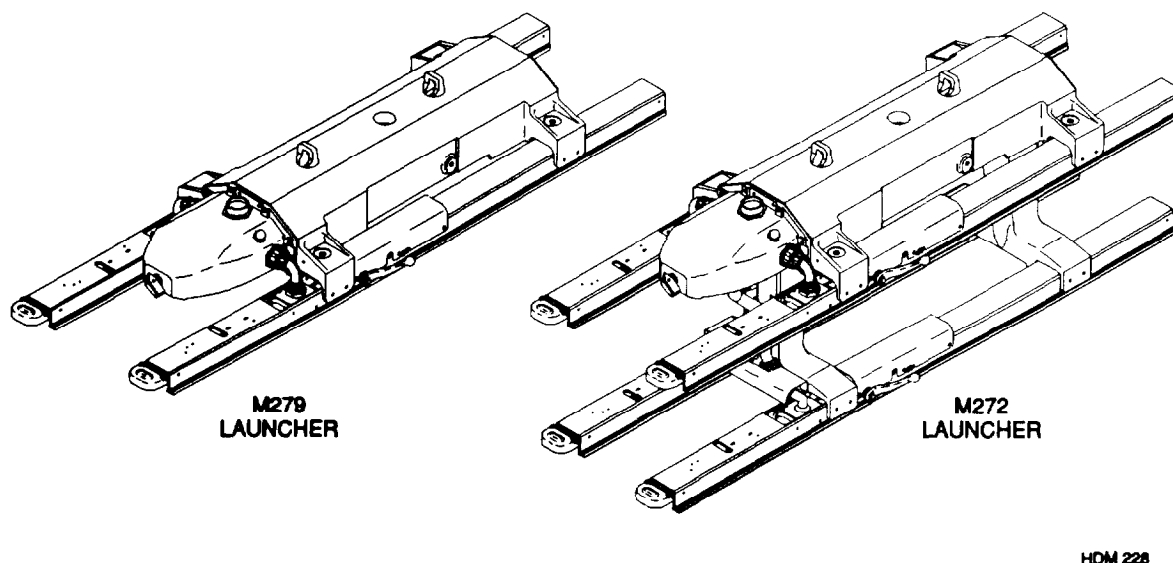


Figure 3-31 M272 and M279 Launchers

3.80 LAUNCHER 13009444 AND 13009445 DEMILITARIZATION

Demilitarization of the M272 and M279 launchers consists of removing and demilitarizing subassemblies in the sequence provided.

3.80.1 Initial Setup**Tools:**

Extension, 8", 1/4" drive
 Handle, ratchet, 1/4" drive
 Pliers, slip-joint, electrical connector
 Pliers, diagonal cutting, 4"

Socket wrench, 7/16", 1/4" drive

Personnel required:

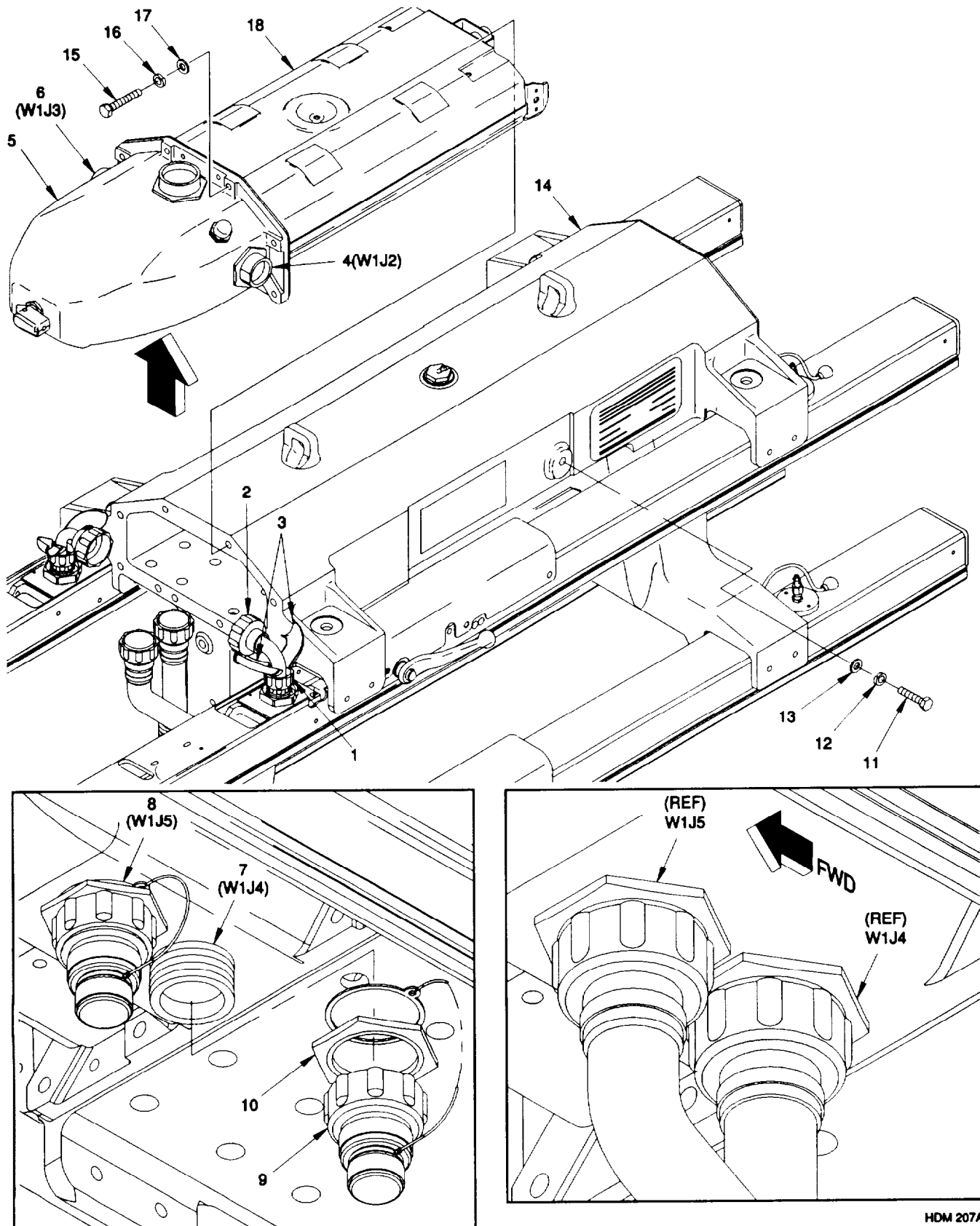
Two (M279)
 Four (M272)

3.80.2 Demilitarization

WARNING

Launcher requires two-man (M279, PN 13009446) or four-man (M272, PN 13009444) lift. Failure to comply may result in serious personnel injury or equipment damage.

- a. Electronic Command Signals Programmer (ECSP) removal (figure 3-32):
 - (1) Loosen lower locking nut (1) by turning clockwise.
 - (2) Loosen upper locking nut (2) by turning counterclockwise and slide nut down over split shell halves (3).
 - (3) Separate split shell halves (3).



HDM 207A

Figure 3-32 ECSP Removal

Legend for figure 3-32:

1. LOWER LOCKING NUT	7. CONNECTOR W1J4	13. SEALING WASHER (2)
2. UPPER LOCKING NUT	8. CONNECTOR W1J6	14. HARDBACK ASSEMBLY
3. SPLIT SHELL HALVES	9. SHORTING PLUG	15. BOLT (8)
4. CONNECTOR W1J2	10. RETAINING NUT	16. FLAT WASHER (8)
5. FORWARD FAIRING	11. BOLT (2)	17. SEALING WASHER (8)
6. CONNECTOR W1J3	12. FLAT WASHER (2)	18. ECSP

- (4) Disconnect connector PI from connector W1J2 (4) on forward fairing (5).
- (5) Repeat steps (1) through (3) to disconnect right upper rail to ECSP wiring harness connector P1 from connector W1J3 (6) on forward fairing (5).
- (6) Remove safety wire from all connectors.

NOTE

Steps (7) through (9) apply to the M279 launcher only.

- (7) Disconnect shorting plug (9) from connector W1J4 (7).
- (8) Remove retaining nut (10) from connector W1J4 (7) and remove shorting plug (9).
- (9) Repeat steps (7) and (8) to remove shorting plug from connector W1J5 (8).

NOTE

Steps (10) and (11) apply to the M272 launcher only.

- (10) Disconnect connector P1 of left lower rail to ECSP wiring harness from connector W1J4 (7) on forward fairing (5).
 - (11) Disconnect connector PI of right lower rail to ECSP wiring harness from connector W1J5 (8) on forward fairing (5).
 - (12) Remove two bolts (11), flat washers (12), and sealing washers (13) from hardback assembly (14).
 - (13) Remove eight bolts (15), flat washers (16), and sealing washers (17) that secure ECSP (18) to hardback assembly (14).
 - (14) Remove ECSP (18) from hardback assembly (14) by sliding straight forward.
 - (15) Demilitarize ECSP, PN 13009716, as prescribed in paragraph 3.81.
- b. Demilitarize airframe assembly, PN 13010003 or 13010004, as prescribed in paragraph 3.84

3.81 ECSP 13009716 DEMILITARIZATION

Demilitarization of the ECSP consists of removing and demilitarizing subassemblies in the sequence provided.

3.81.1 Initial Setup

Tools:

Bit, screwdriver, #8, 1/4" drive
 Bit, screwdriver, 1/4" flat tip, 1/4" hex shank
 Handle, ratchet, 1/4" drive
 Holder, hex bit, 1/4" drive
 Pliers, diagonal cut, 4"
 Pliers, wire twister

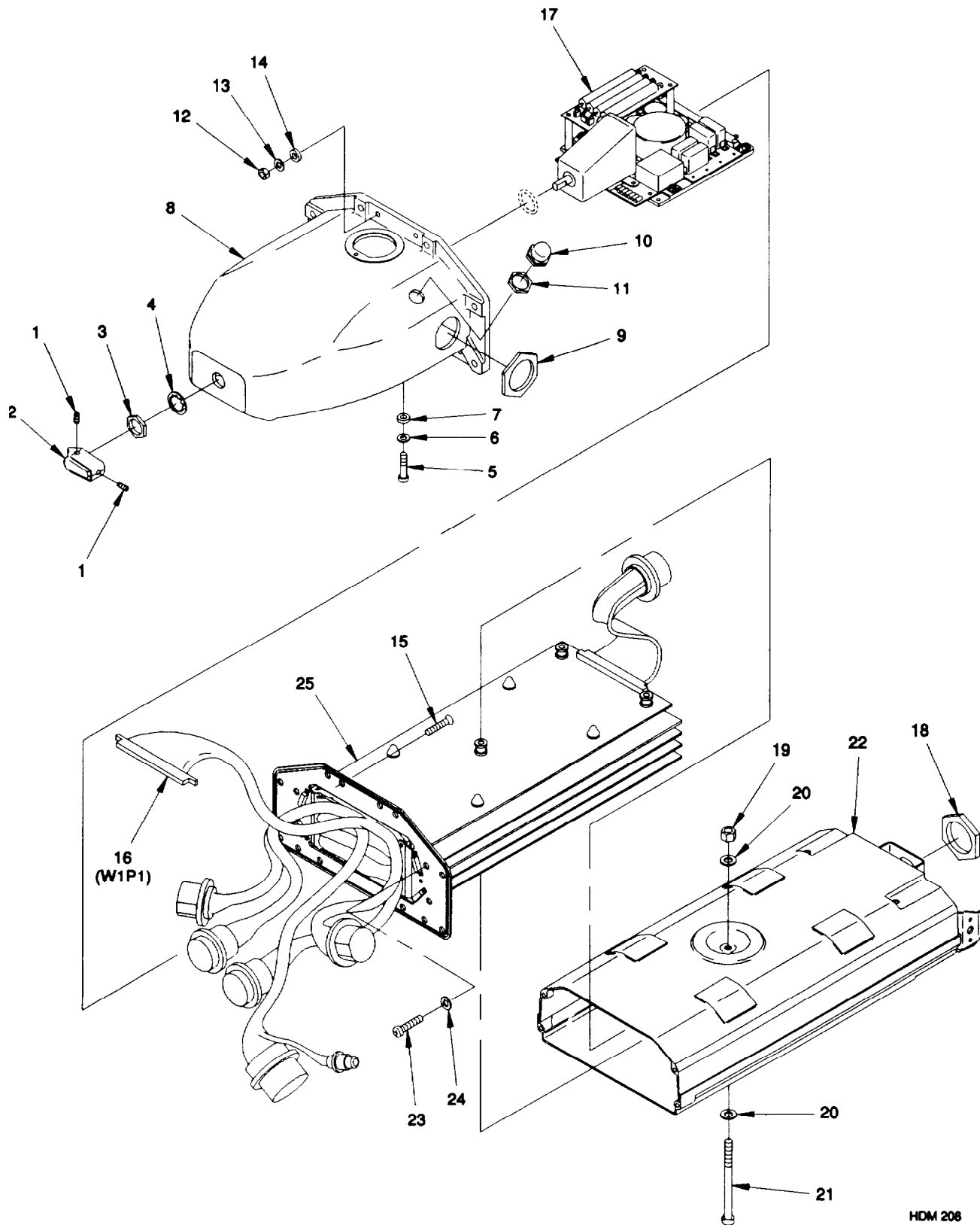
Screwdriver, hex bit, 5/64"
 Wrench, combination, 3/8"
 Wrench, combination, 3/4"
 Wrench, combination, 13/16"

Personnel required:

One

3.81.2 Demilitarization

- a. Forward fairing removal (figure 3-33):
 - (1) Loosen two setscrews (1) and remove knob (2)
 - (2) Remove nut (3) and lockwasher (4).
 - (3) Remove four screws (5), flat washers (6), and sealing washers (7) from forward fairing (8)
 - (4) Remove retaining nut (9) from connectors W1J1, W1J2, and W1J3.
 - (5) Remove boot (10) and retaining nut (11)
 - (6) Remove four nuts (12), flat washers (13), sealing washers (14) and bolts (15).
 - (7) Remove forward fairing (8)
- b. Power supply CCA removal (figure 3-33):
 - (1) Disconnect connector W1P1 (16) from power supply CCA (17) and remove power supply CCA.
 - (2) Demilitarize power supply CCA, PN 13009704, as prescribed in paragraph 3.83.
- c. Control electronics assembly removal (figure 3-33):
 - (1) Remove retaining nut (18).
 - (2) Remove three nuts (19), six flat washers (20), and three screws (21) from ECSP cover (22)..
 - (3) Remove four screws (23) and flat washers (24)
 - (4) Remove control electronics assembly (25) from ECSP cover (22).
 - (5) Demilitarize control electronics assembly, PN 13009717, as prescribed in paragraph 3.82.



HDM 208

Figure 3-33 ECSP Disassembly

Legend for figure 3-33:

- | | | |
|-----------------------|------------------------|----------------------------------|
| 1. SETSCREW (2) | 10. BOOT | 19. NUT (3) |
| 2. KNOB | 11. RETAINING NUT | 20. FLAT WASHER (6) |
| 3. NUT | 12. NUT (4) | 21. SCREW (3) |
| 4. LOCKWASHER | 13. FIAT WASHER (4) | 22. ECSP COVER |
| 5. SCREW (4) | 14. SEALING WASHER (4) | 23. SCREW (4) |
| 6. FLAT WASHER (6) | 15. BOLT (4) | 24. FLAT WASHER (4) |
| 7. SEALING WASHER (4) | 16. CONNECTOR W1P1 | 26. CONTROL ELECTRONICS ASSEMBLY |
| 8. FORWARD FAIRING | 17. POWER SUPPLY CCA | |
| 9. RETAINING NUT | 18. RETAINING NUT | |

3.82 CONTROL ELECTRONICS ASSEMBLY 13009717 DEMILITARKATION

The preferred demilitarization method for the control electronics assembly is smashing as prescribed in paragraph 2.6. If desired, the control electronics assembly may be demilitarized by removing and demilitarizing subassemblies in the sequence provided.

382.1 Initial Setup

Tools:

Screwdriver, hex bit, #2 Phillips
Screwdriver, hex bit, 5/64"

Personnel Required:

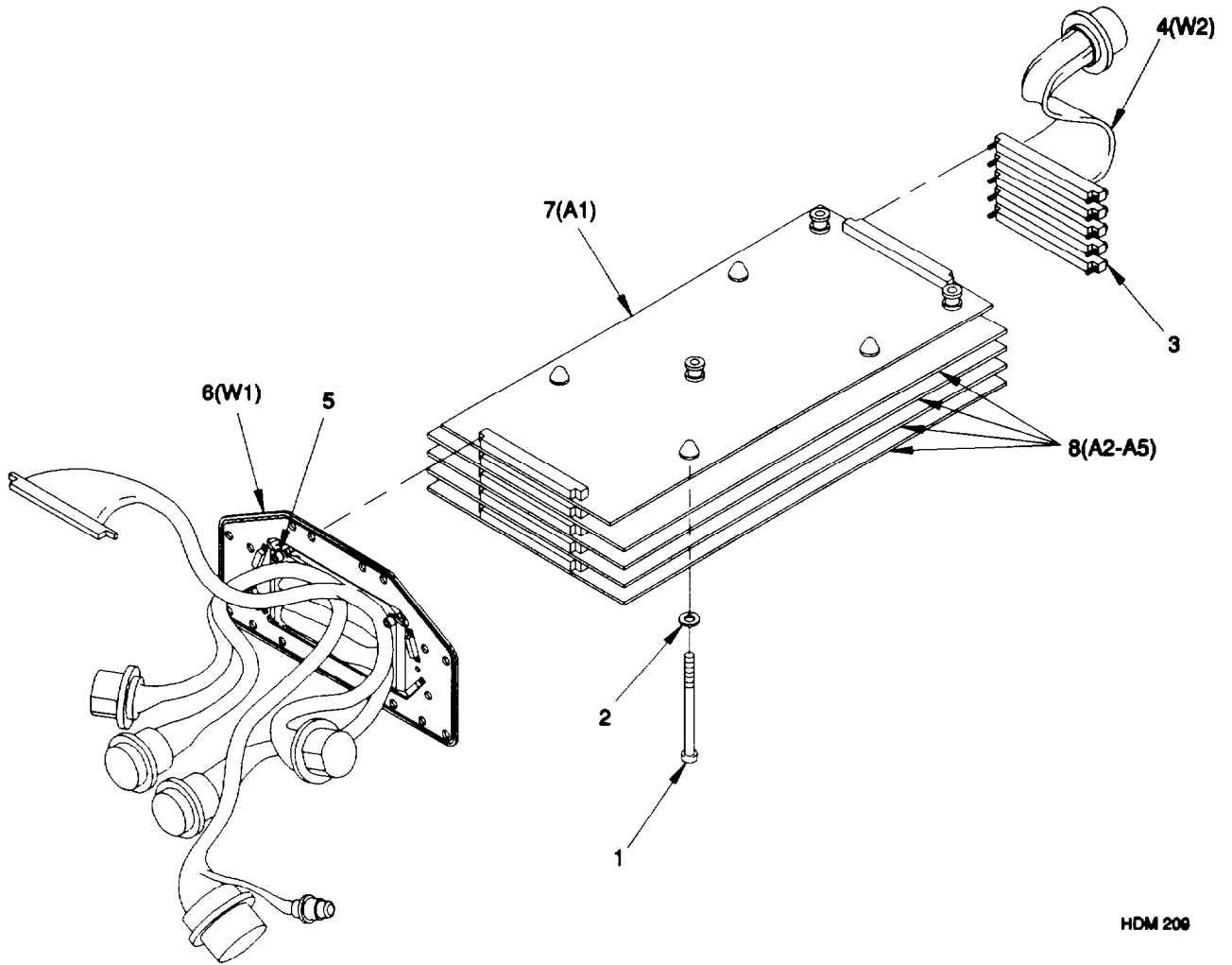
One

3.82.2 Demilitarization

- a. Remove four screws (1, figure 3-34) and nonmetallic washers (2).
- b. Loosen 10 jackscrews (3) and remove wiring harness W2 (4).
- c. Loosen 10 jackscrews (5) and remove wiring harness W1 (6).
- d. Demilitarize multiplexer CCA (7), PN 13009691, as prescribed in paragraph 3.83.
- e. Demilitarize four missile control CCAs (8), PN 13009744, as prescribed in paragraph 3.83.

3.83 POWER SUPPLY CCA 13009704, MULTIPLEXER CCA 13009691, AND MISSILE CONTROL CCA 13009744 DEMILITARIZATION

Demilitarize CCA by smashing as prescribed in paragraph 2.6.



HDM 200

- | | | |
|---------------------------|----------------------|----------------------------|
| 1. SCREW (4) | 4. WIRING HARNESS W2 | 7. MULTIPLEXER CCA |
| 2. NONMETALLIC WASHER (4) | 5. JACKSCREW (10) | 8. MISSILE CONTROL CCA (4) |
| 3. JACKSCREW (10) | 6. WIRING HARNESS W1 | |

Figure 3-34 Control Electronics Assembly Disassembly

3.84 AIRFRAME ASSEMBLY 13010003 AND 13010004 DEMILITARIZATION

Demilitarization of the airframe assembly consists of removing and demilitarizing subassemblies in the sequence provided.

3.84.1 Initial Setup

Tools:	Screwdriver, #2 Phillips
Adapter, socket wrench, 3/8"	Socket wrench, 7/16", 1/4" drive
Crowfoot wrench, 1-1/2", 3/8" drive	Wrench, combination, 5/16"
Extension, 6", 1/4" drive	Wrench, combination, 7/16"
Extension, 14", 3/8" drive	Wrench) open-end, 1-9/16"
Handle, ratchet, 1/4" drive	
Pliers, diagonal cutting, 4"	Personnel required:
Punch, drive, 1/16"	Two (130 10004)
Punch, drive, 1/4"	Four (13010003)

3.84.2 Demilitarization**WARNING**

Airframe assembly requires two-man (PN 13010004) or four-man (PN 13010003) lift. Failure to comply may result in serious personnel injury or equipment damage.

a. Rail assembly removal (figure 3-35):

- (1) Cut ground wire (1) to rail assembly (2)
- (2) Remove four bolts (3), eight washers (4), and four nuts (5).
- (3) Remove rail assembly (2).
- (4) Demilitarize rail assembly, PN 13010043, as prescribed in paragraph 3.85.
- (5) Repeat steps (1) through (4) for remaining rail assemblies

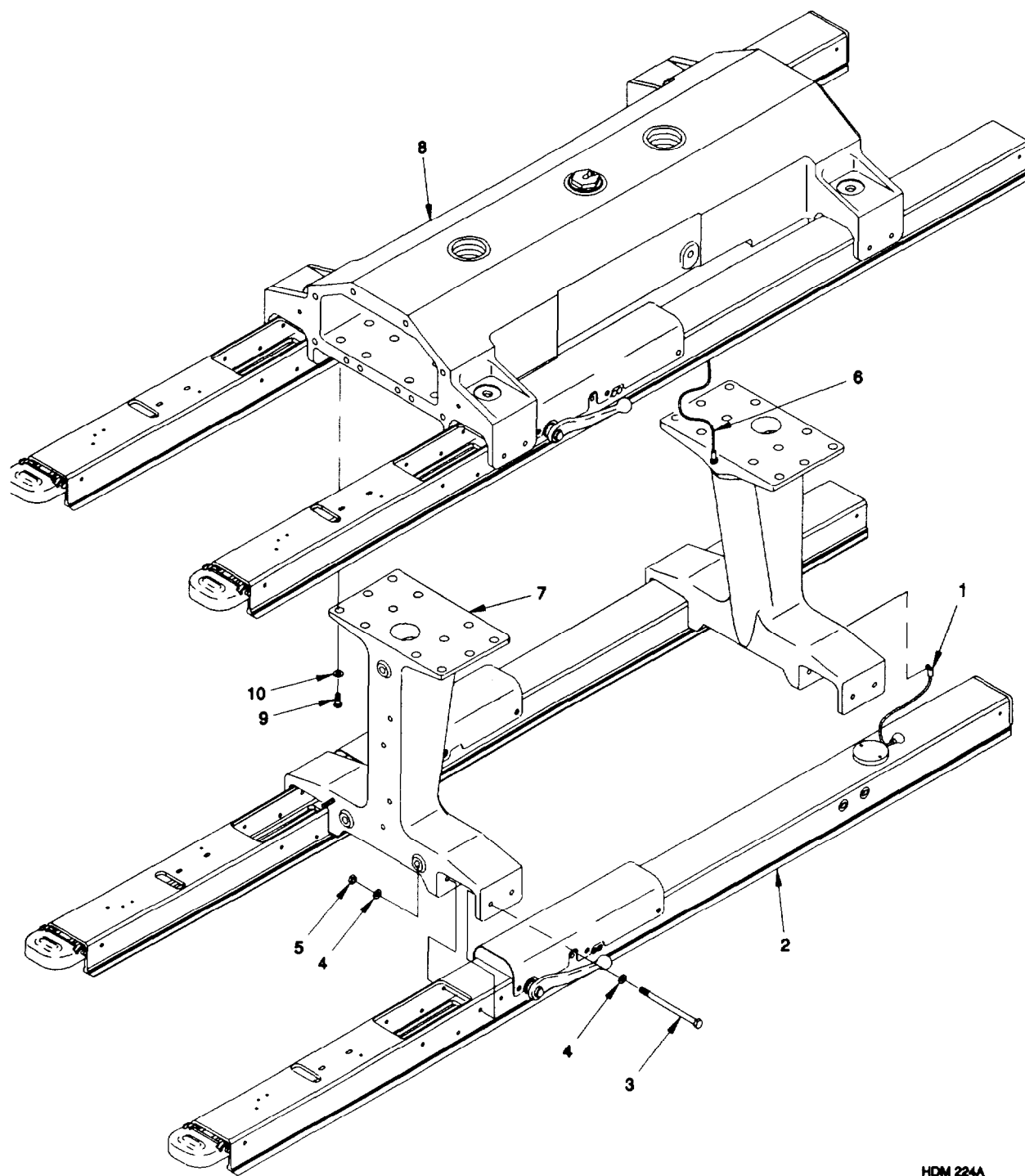
NOTE

Step b is performed only if demilitarizing an M272 launcher.

b. Rail support assembly removal (figure 3-35):

- (1) Cut ground wire (6) between rail support assembly (7) and hardback assembly (8).
- (2) Remove 12 bolts (9) and washers (10)
- (3) Remove rail support assembly (7)
- (4) Demilitarize rail support assembly, PN 13010042, as prescribed in paragraph 3.86.
- (5) Repeat steps (1) through (4) for remaining rail support assembly

c. Demilitarize hardback assembly, PN 13010041, as prescribed in paragraph 3.87



HDM 224A

- | | | |
|------------------|--------------------------|----------------------|
| 1. GROUND WIRE | 5. NUT (4) | 8. HARDBACK ASSEMBLY |
| 2. RAIL ASSEMBLY | 6. GROUND WIRE | 9. BOLT (12) |
| 3. BOLT (4) | 7. RAIL SUPPORT ASSEMBLY | 10. WASHER (12) |
| 4. WASHER (8) | | |

Figure 3-35 M272/M279 Airframe Disassembly

3.85 RAIL ASSEMBLY 13010043 DEMILITARIZATION

Demilitarize rail assembly by cutting as prescribed in paragraph 2.3. See figure 3-36 for cut locations.

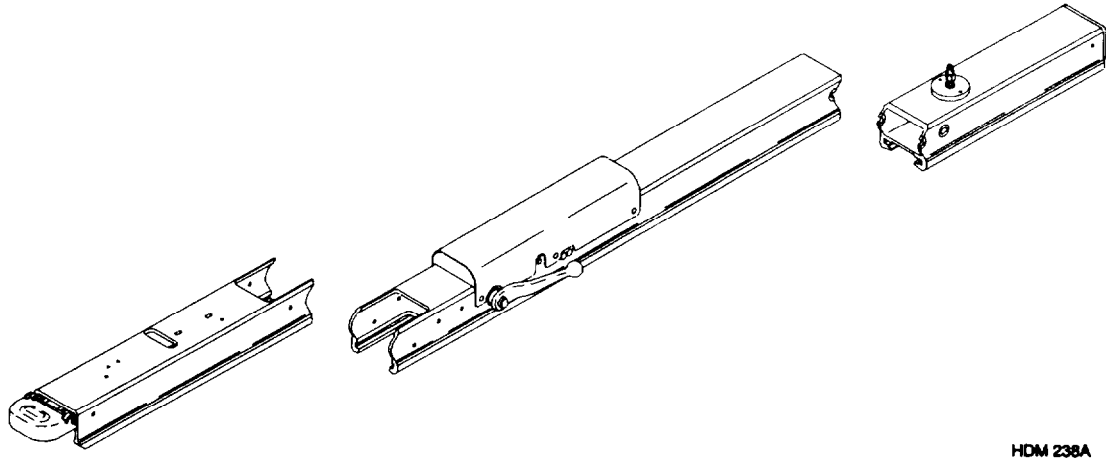


Figure 3-36 Rail Assembly 13010043 Cut Locations

3.86 RAIL SUPPORT ASSEMBLY 13010042 DEMILITARIZATION

Demilitarize rail support assembly by cutting as prescribed in paragraph 2.3. See figure 3-37 for cut location.

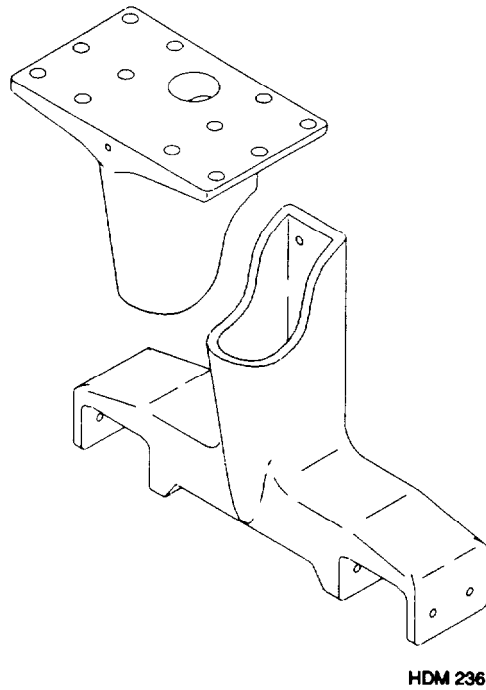
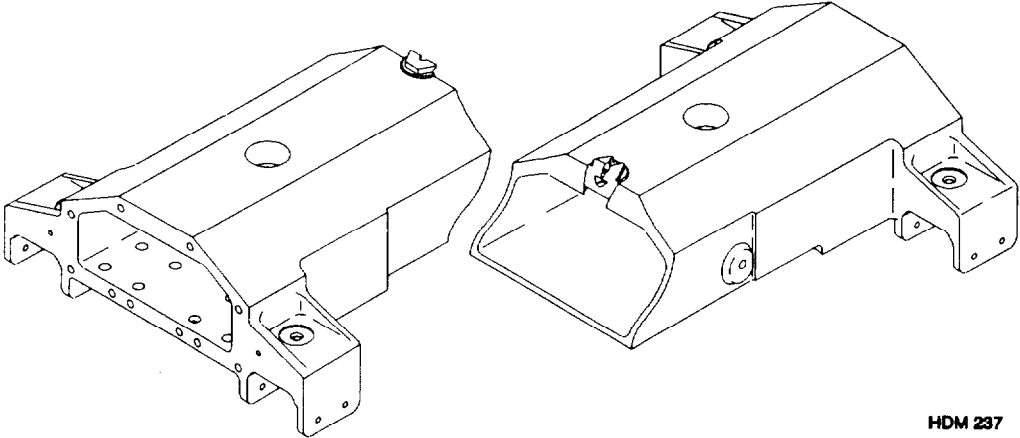


Figure 3-37 Rail Support Assembly 13010042 Cut Location

3.87 HARDBACK ASSEMBLY 13010041 DEMILITARIZATION

Demilitarize hardback assembly by cutting as prescribed in paragraph 2.3. See figure 3-38 for cut locations.



HDM 237

Figure 3-38 Hardback Assembly 13010041 Cut Location

