

PSIONIC MAYHEM

BY

Charles W. Cosimano

© Copyright 2005

PREFACE

Once upon a time, Field Marshall Montgomery was driving along and he came upon a young boy on his way to school. Monty offered the boy a lift, which he accepted and the two drove along.

While they were riding, Monty asked the boy, "Do you know who I am?"

"No, Sir," replied the boy with a politeness of a bygone era.

Monty beamed and answered in his high voice, "I'm a Field Marshall!"

The boy as somewhat impressed and said, "My father works in the fields too, sir. What do you do?"

"I KILL people!"

At this the child was somewhat taken aback and asked, "Have you killed many people, sir?"

And you have to imagine Montgomery's voice at this point as he answered, "Oh THOUSANDS!"

"May I be getting out now, sir?"

You have to love a man who loves his work.

INTRODUCTORY COMMENTS

One night I was at a local club and someone asked me what psionics did. I was in a rather testy mood and I responded with a bit of a growl, "It kills people."

And that is what this book is going to teach you to do, kill people. There will be none of the usual sweetness and light, no healing, no niceness. Just good old-fashioned slaughter, the sort of thing that makes getting up in the morning worthwhile. And, by the time you are finished with the material in this book, you will be able to kill folks both individually and in large numbers, in fact you will learn that large numbers are actually easier to kill.

I did not get into psionics to heal people. I got into it to use it as a weapon against the rest of the world, not so much against personal enemies, of which I had few and they were of no consequence, but against the enemies of my country. Now this may seem rather strange, but you must understand that when I built my first radionic box back in 1977, Jimmy "the weasel" Carter was President and Coward-In-Chief. Things were bad and in a couple of years they got worse.

Something had to be done and those of you familiar with me and my work know that I'm not one to sit and complain. I get off my butt and do something about it! And radionics seemed the perfect tool for doing just that. After all, consider the possibilities. You can sit in the comfort of your home and set some dials on a box and let nature take its course. No running for public office with all the attendant difficulties that course has. No joining the military and having to put up with orders, uniforms, bad food, sergeants and other nuisances. And, best of all, no accountability, none! No one can call you to answer for anything you do with psionics because if it works, they won't live long enough.

Let's be honest. This stuff is the bad guys' dream. And as I played with it and discovered more and more things it could do, I realized that there was more to being the bad guy than just getting all the good lines and tying up the pretty girls.

And out of that came Psionic Terrorism.

Some years ago I had my first website courtesy of Amargi Hillier and I found myself in a debate on a psionics mailing with some hopeless do-gooders. Well, it reached the point where I could not stand it any more and I wrote a short piece for that website titled "Psionic Terrorism."

It was a fun little piece, with a few nasty things that could be done right now with proven techniques, such as dowsing, agricultural radionics and micropsychokinesis. The last I used to demonstrate how to screw with nuclear reactors, which is something I just love to end books with now because it gets people so delightfully upset!

Anyway, it succeeded in getting some stupid German bureaucrat upset and he wrote me a rather nasty e-mail demanding that I take the article down. That is not a smart thing to do to a radical libertarian free-speech nut! But I was nice. I did not kill him. I did something worse. I wrote him back, one word: "Nuts!"

Now you have to understand that when an American says that to a German it has all sorts of meanings going back to the Second World War when the 101st Airborne was surrounded in Bastogne and the Germans demanded they surrender. General McAuliffe gave that classic response and now whenever you tell that to a German they know it is your way of saying, "Stuff it up your ass, kraut-face!"

I never heard another word. In fact in the years that Psionic Terrorism has been available for free on the net I have never heard anything from any other government agency even though I know they have all read it. (One of the funny things about the CIA is that they do such a good job of erasing where they surf that it is obvious that they have and for some reason it gets a lot of hits from naval sites, even though I don't have a single word about boats in it!)

I think it comes down to this. Either psionics works or it does not. If it does not, then we are just harmless crackpots running around thinking we are doing things when we really are just looking at a series of interesting coincidences. In that case, taking action against us would only make a law-enforcement agency look extremely stupid and be a total waste of time and resources. On the other hand, if it does, such action could very well be a means of suicide! And assassination is not the answer either because, as you will find out from a little favorite story of mine, killing us may only make us mad, to say nothing of the vengeance that other operators may take on our behalf.

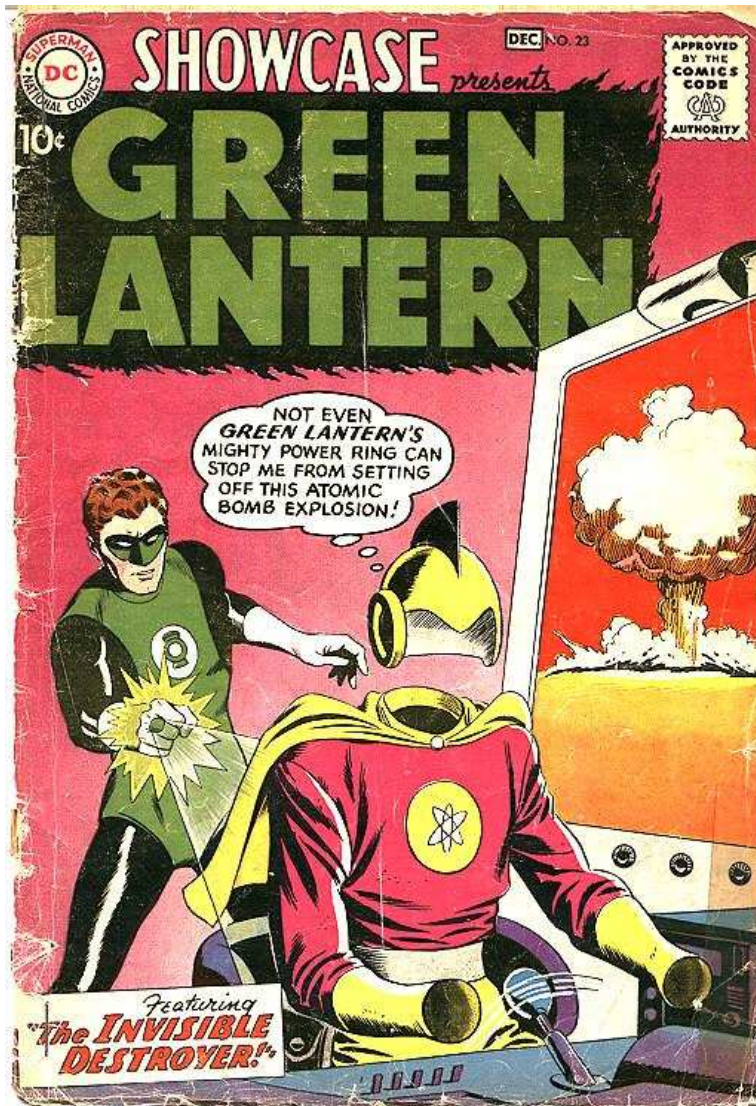
It has been some years now since I wrote Psionic Terrorism and the world has changed somewhat, making a few things in that work out of date and, of course, as time has gone on I've added some tricks to the repertoire. So here it is, the new, improved version with a fun new title and pretty pictures.

Read the book.

Have fun.

Raise Hell!

And remember, the goal of psionics is the end of personal accountability. We can do anything we damned well please as long as we are able to do it.



This is as good as it gets. Cool helmet, nice control panel and--you get to set off a nuclear blast! What more can you want out of life?

WHEN I SAT DOWN TO WRITE...

This was a book that scared even me. I would sit down to write a section, finish the section, look at what I had written and shake my head in horror. Were these the words of the kind, gentle man who feeds the birds and bunnies all through the eternal midwestern winter? And the answer is yes, they were. Because they were also the words of a man who loves freedom and wants everyone to share it and sees that personal freedom can only be guaranteed by personal power, a power that psionics alone can give.

When I wrote my first book on psionics years ago, I said that its purpose was to bring about the end of a monopoly. That was interpreted by nearly all who read it (who knew about the subject already) to mean that I was going to break the monopoly on radionics held by a few organizations and instrument makers. And in that I succeeded beyond my wildest imaginings

But I had another monopoly in mind. The sociologist Max Weber defined the state as having "the legitimate monopoly on the use of force." I have learned that psionics breaks that monopoly and this book may prove to be the most dangerous thing I have ever written. It is not merely a handbook of gadgets and techniques. It is also a work of political theory and that is an area few people in this field get into, yet as I have done my work and research for the last twenty years I have become more and more convinced that the political and social ramifications of psionics are overwhelming. They may very well lead someday to the total elimination of the state as the arbiter of interpersonal disputes.

In the 1970s a new form of conflict reappeared on the international scene. It was called "subnational conflict" otherwise and popularly known as terrorism. So let me define for you what terrorism is. Terrorism is the means by which relatively small, usually non-governmental agencies or organizations commit violent acts for the purpose of influencing governmental policy or ultimately removing a government altogether. This is done by various acts of violence aimed at usually innocent people, by which I mean people who are not actively involved in the business of government, law enforcement or military. The Olympic Park bombing in the summer of 1996 is a perfect example of a terrorist act, being aimed at folks who had no reason to be targets other than the fact that they were in the vicinity of the bomb. What made that action different from what is normally considered terrorism is that no organization came forward to claim responsibility, which meant its purpose was purely disruptive and in no way intended to call attention to an organized group. If that had been the case there would have been some sort of announcement to the effect that "This bombing has been brought to you by Al Fazool, the official Terrorist Organization of the 1996 Olympics." Or something along that line.

Ok, at this point you have understand several things:

There are NO innocents, only targets.

Victims are scum, that is why they are victims.

Got that?

Ok, back to work.

As I was saying, the Olympic Park bombing was, in many ways, an excellent terrorist act. It disrupted the olympics and removed the sense of security that Atlanta officials had worked so hard to create. It put the FBI in the position of appearing to be publicity seeking bumblers (which is actually all that they really are) in their

unfortunate hounding of an innocent man so that they could appear to have solved the matter quickly and thus destroyed that agency's credibility with a large portion of the American public. And for a long time it remained unsolved. In short, by all the definitions of a terrorist act, it was a resounding success.

That was actually a rare success for conventional terrorism, however, because it usually fails. Libya's campaign of terrorism against the United States only succeeded in getting Tripoli bombed and decades of Palestinian terrorism has brought little result other than a meaningless scrap of paper and many more dead Palestinians than Jews. And does anyone really think that losing a couple of buildings in New York would cause the United States to abandon its oil interests in the Middle East? The usual end is only a hardening of the position of the attacked government. And there is a reason for this. The terrorists are acting on a basically erroneous premise.

Terrorism proceeds from the assumption that a people will want safety and security above all other things and if a government is proven to be unable to provide that the people will change either the government or its policies. But people do not react that way. Instead of getting angry at the government they become very mad at the terrorists and this mystifies the poor terrorists to no end. The truth is terrorists generally turn out to be gangs that can't shoot straight and as a result almost never achieve their ends.

Consider the practice of hostage taking. It doesn't work. No government is going to change a policy for the sake of a relative handful of people. The idea that it would is ludicrous. Governments take whole populations hostage, they are not going to worry about a few diplomats. The fact is that a hostage in a terrorist situation is more valuable dead than alive. Alive he's a nuisance with an obnoxious family that everyone wants killed, but dead he becomes a martyr in the cause against terrorism. A dead hostage can be the impetus for a war if played right.

The fact is that terrorism, as it has been practiced to this date, has been a dramatic and noisy failure as a strategy. It has proven to be a failure time and again. Its successes are very rare and usually only after a very long time and the intervention of other factors. In and of itself it cannot succeed.

The reason for this is very simple. Conventional terrorism can only hit targets that are not well protected. But the reason they are not well protected is either because they are not considered important to the totality of the nation or because they have to be open in order to work. For example, a bomb in a crowded store is going to kill a number of people and not do a lot of good to the store's business, but in the great scheme of things is not going to matter very much. People still have to shop and all they will do is get very mad at whoever planted the bomb. The government, on the other hand, will chortle with hidden glee at the thought of all the new police powers it can try to get by using the public upsetness at the bombing and view the store as no great loss anyway. Given that fact, one often wonders if terrorists are not, in fact, working for police departments as they seem to be the principal beneficiaries of these things. One has nasty visions of Scotland Yard having a direct line to the IRA.

There is an irony to this in that there were actually two successful terrorist campaigns in the 20th century and both of them were directed against the British, the IRA campaign in 1921 and the Israeli campaign in 1947.

The truth is that up to now terrorists have not had the wherewithal to do the kind of massive destruction that would influence a government. In the 1980s there was a lot of talk about terrorists building their own nuclear device, but anyone who knows anything about such things knows that an atomic bomb cannot be constructed from scratch in a basement. Even working with the radioactive materials would kill them before they could finish the device, assuming they could get their hands on those materials. And radioactive material cannot be hidden without very heavy shielding. It sets off Geiger counters a long way away. The threat of nuclear terrorism has never been credible to anyone but a few idiot journalists who see terrorists under their beds. Poison gas is not much better. It has a rapid dissipation rate and unless released in a very confined area will generally have little impact. Witness the incredibly low rate of lethality on the gas attack on the Japanese subway. A conventional bomb would have been much more effective, witness for example the attack on the Spanish and British rail lines.

Psionics changes this. It gives the means of mass destruction to everyone who is willing to take the time to use it. It may even mean that for the first time in history the balance of power between the individual and society may shift to the individual.

So now comes the personal question. If I know this stuff, why am I going to write

this down and tell everyone in the world how to do it? Would it not be better that I keep it quiet and hope that no one finds out?

Remember what I said about ending a monopoly? The psionic cat has been out of the bag for a long time now. Everyone who works with this stuff knows what can be done and no doubt somebody has done it. And research continues. It is only a matter of a short time before a working psionic death ray is developed that will kill as quickly and efficiently as a bullet. It is inevitable and nothing can stop it or change it. No law, no government, no social system can prevent what is coming. And that will be the ending of an aeon. So keeping quiet is not going to make any difference. Someone will do this and somebody probably has done most of the things I will write about already. That is a fact people will just have to live with.

And, there is a more personal reason for making this information public. I protect myself.

People who make breakthroughs in psionics have a bad habit of dying. Just why this is a bit of a mystery but it makes enough folks nervous that they don't even want to talk about it. That is why I have a policy of making everything I design as public as possible as quickly as possible. A secret once published is no longer a secret and thus doing me in accomplishes nothing but make it more popular. For example, it has long been a popular rumor in psychotronic circles that I was in some way involved with the Chernobyl explosion. And I've had a bit of fun with that over the years because it helps sell books. But what will happen the next time a reactor goes boom? By telling people the means that such a thing can be caused (and it really can) that means that I'm not the only person who knows how to do it. It can be anyone! The more people who have this information, the safer I am from those who do not like the idea of it being out at all.

So I'm not going to hide behind the usual platitudes that accompany this kind of work. I'm not putting it out so society can better protect itself. I do not think society can ever protect itself from this and frankly, like my old, childhood hero, Captain Nemo, I do not give a damn about society or the social order. The material in this book is unethical by most standards and probably illegal in much of the world. But I think ethics are for wimps and I have no respect for the laws of Singapore or the EU (rhymes with ewwww. This work is for the real world and the only rule in that world is that there are no rules. It is only the results that matter.

In this work, I am unleashing the dragons and may they feed heartily and well.

SOCIAL DISRUPTION

I've touched on this earlier, but you have to understand that terrorism has at its base the disruption of entire societies. You are going to be in the business of creating instability and unease and by doing so bring about your desired ends, be those ends the defeat of a political candidate or just the sheer joy that can only come from making life difficult for people.

That being the case, you have to consider what your ends are. In a very controlled society, such as Singapore, an individual act of terrorism will have a much greater social impact than a similar act would have in a looser society, such as the United States. The looser the social fabric, the more limited must be your goals. You are not going to overturn the American government by causing an occasional disaster, no matter how great that disaster may be, because most people will not be affected by it and won't care. Oh, some may watch the news and get a little upset, even downright furious for a time but the bulk of the population will pretty much ignore it or view it as a local nuisance and go on with their lives as they always do. Consider the fact that a massive flood can destroy billions of dollars worth of property and screw up the businesses of several states and the rest of the country will not even notice the impact unless the pack of looters and rapists displaced by it is imported to their community by the Red Cross.

The point I am trying to make is not to get too grandiose in your schemes if you are dealing with a society that has a large tolerance for social and economic chaos. That type of society is very difficult to influence because while it is possible to get a bunch of politicians to pay lip service to anything for a brief period of time, when their constituents matter, in other words those who donate, feel their vital interests threatened, the politicians will shut up very quickly.

But those whose livelihood is politically controlled can get very nervous and virtually paralyzed because they do not understand the fickleness of the public and thus tend to view each event as earth-moving in and of itself. Combine that with the percentage of crazy people that every society has and you can develop a situation where no one is willing to do anything for fear that any action may set off something even worse. This is known as deterrence.

That being the case, how does one use the nature of a society to one's advantage?

Let's go back to Singapore. No, not literally. The only way I want to see Singapore is through a bomb sight.

Singapore is basically a dinky little city in the Malaysian peninsula surrounded

by a bunch of islands. It has a booming economy in spite of the fact that it has no resources other than labor and it is a dictatorship with laws that are so ridiculous and tyrannical that the city of Oak Park, Illinois regularly sends a delegation there to learn from them. Singapore has been justly called the world's weirdest police state. So it is fair game.

The trick to disrupting such a society is to make the people discontented to the point where they will begin to not only break the stupid laws, but also the heads of anyone who tries to enforce them. Now discontent can come from many directions. It can be a significantly large social minority that feels for some reason that it is entitled to better treatment. It can be a frustrated middle class that wants freedom as well as money (the usual cause of revolutions, the lunatic ravings of Marxists notwithstanding but then Marxists have never understood anything). It can be something as simple as a crazy religion or the mere unreasoning fear of an increase in crime in a society that prides itself on not having any. The key is to study the society and find its weaknesses. In the case of Singapore, a dramatic increase in the rate of violent crime would be a good starting point. The government would, of course, respond by extremely repressive measures, always entertaining in and of themselves (I always thought that hanging was too good for people who keep library books overdue myself) but once those fail, the public of that city will lose faith in its tyranny and take matters into their own hands. This will cause a breakdown in the tight social fabric of an Asiatic society and the result will ultimately be a social chaos that such societies cannot deal with. Singapore would not survive a good crime wave of the sort we have seen in Russia so that is the way to go in dealing with it.

You see the problem Singapore would have is that its system is based on the ability to control the populace. But a major crime wave, with the police becoming more often the hunted than the hunters, would make such a society untenable. You have to remember that all police officers, no matter what society they are in, are congenital cowards and bullies. They are perfectly willing to attack the common citizen and occasional criminal gang because they can bring overwhelming force to bear, but if they face a situation where they are going to be wiped out themselves they will simply hide. The creation of a criminal organization in Singapore that can wipe out its entire police force in the space of less than a day would result in the total collapse of that society.

Another method for dealing with an authoritarian structure is to remove the aura of authority. That is usually done by the simple process of making that wielders of authority look either ridiculous or criminal in the eyes of the public. This has been done so successfully in the United States that no political or religious figure is going to be taken seriously no matter what they say. We have created the first truly anti-authoritarian society in history, with the result that the concept itself is considered evil and automatically rejected by anyone who encounters it with the exception of the occasional mentally retarded person teaching college in Stuebenville, Ohio.

This is, of course, to the good, but it creates an interesting problem. As attacks on authority structures have no impact on American society, what can work? My feeling is that in general nothing can in the short run, short of massive destruction of infrastructure, like the banking system, or the power system, or the air traffic control system. If those things go down on a regular basis the public will get very pissed and throw people out of office. Would it make any cultural change, not likely. American culture is internally resistant to dramatic change unless that change makes people happy like the sexual revolution of the 1960s. Anything that negatively impacts the inherent American belief that anyone can

do whatever he damned well pleases will be met with a wall of resistance that no agency can breach. Remember what happened with Prohibition.

But what can be accomplished is the paralysis of the governmental structures, particularly law enforcement.

Remember what I said about all police being cowards at heart. The one thing that absolutely terrifies them is politicians, because they control the hiring and firing. If the politicians know that enforcement of a law will mean the end of their careers, if not their very lives, they will reign in the law enforcement apparatus. And the career of a politician depends on people liking him. If the constituents develop an unreasoning hatred for a political figure, he might as well look for an honest job and psionics can create that hatred with no trouble at all. If the national computer networks start going down the politicians are going to be very worried indeed.

Now, you will notice that I have not yet spoken of direct attacks on law enforcement agencies and personnel. Well, we will get to that later, for they are truly fair game for any terrorist. This is just social theory here.

Back to the different types of society. What I have been trying to point out is that the nature of the broader society determines the level of impact a given attack will have. An attack that would not even raise an eyebrow in Singapore might totally annoy the United States if the press gets ahold of it. On the other hand, that which would obliterate the entire structure of Singapore society would not even be noticed in the United States. The degree of damage is much different. It is one thing to be mildly upset by a news story that will be forgotten in a few months, if not hours, and quite another to have the entire society collapse around your ears.

In the final analysis, the difference between Singapore and the United States is that Singapore can cease to physically exist if the United States decides to get rid of it (one well-placed warhead can do it easily), but Singapore cannot do the same to the United States. The psionic terrorist has to plan his campaign accordingly.

Let me give you an example of how you might use a psionic terrorism campaign in the US. The media has certain people that it really likes and gives a lot of airtime to, even though they really count for very little in the great scheme of things. Witness, for example, the nonsense some years back about the supposed arson campaign against black churches which turned out to be purest hokum (there had actually been more fires in white churches during the same period and the bulk of the fires were accidental, most of the arsons being by people wanting to collect insurance). So let me give you an idea of a good target that would get the media in an uproar and give you a few good belly-laughs in the process.

Hit a women's' shelter. Now first and foremost you have to find one. This is rather easily accomplished by map dowsing and once you have done that get in your car and drive by it and take a photograph of the place. When you get the

picture developed or printed, put it in your transmitter and create a thoughtform over it that will bring a mass murderer into the place. Get that thoughtform good and charged and in a reasonably short time you should hear on the news that someone went into the place with an automatic weapon and killed a bunch of the inmates.

Can you imagine the wailing and gnashing of teeth that would cause. The media darlings would shed enough crocodile tears to fill the Amazon river and poor, vapid, Bill Moyers would be just speechless for the first time in his life.

That is how you pick a target. You choose a site that will get the maximum attention with the least work and risk to yourself. Then you let the news media do the rest of the heavy lifting. There is no need to destroy lots of buildings, fun though that may be, in order to get the type of attention you want. The disruption of the social order will just naturally occur because people will want it to for their own peculiar reasons.

But let us say you want to totally destabilize a country, like Iran. You have to first immerse yourself in a thorough study of the target country in order to find its weaknesses. Now Iran's greatest weakness lies in its class structure. This may come as a surprise to those who have not studied it, but the strength of the Islamic fundamentalists comes from the lower and working classes, those scum of the earth whose presence is unavoidable in all countries and who in all cases are the greatest enemies of human freedom. The middle and upper classes are much more secular in outlook and are not at all happy with the Islamic state. So what you need is to parlay that disaffection into action.

Easy to say, but how does one do it?

Well, where does the military in any society draw its officer class from? From the middle and upper classes because they have the education going in. Now,

take a look at Turkey. The reason Turkey stays secular is because it has an active, secularist military that is not above rolling a few tanks into the government office buildings and using Islamist politicians for target practice. How does this apply to Iran? very simply. One uses a thoughtform to amplify discontent in the officer class to the point where one day the Iranian military rolls into Qum, aims its guns at the mullahs and blows them all to whichever hell is waiting for them. It takes time, but it will inevitably work. Never forget that republics of virtue inevitably end with the virtuous on the guillotine.

Historic example time.

In 1492, the year the Universe really did change, the Medici, in a rare fit of total insanity, invited the preacher Savonarola to Florence to preach what could only be called a revival. And he was very good at it. He preached and preached and pretty soon the good people of Florence had a huge bonfire in which they burned books, and art, and cosmetics and all kinds of good things that xtians despise. Well, this went on for a while until the good people of Florence and the

Medici decided that enough was enough and then they had another bonfire. They burned Savonarola.

What you have to do is learn the basic discontents of a society and then amplify them until the society just sort of self-destructs and the more rigid the culture, the easier it is to do that. It's the old pressure-cooker analogy. Now, for those of you who don't know, pressure cookers were big pots that people cooked things in. A little water was heated to steam and then the steam pressure did the cooking. They had a gauge and valve to let out steam when it got too powerful, but occasionally the valve would fail and the kitchen would explode. People actually got killed by the damned things and they went rapidly out of fashion. Besides, the food they produced had no flavor and no one wanted to eat it anyway except for assorted working class types to whom the gods had been merciful and who were thus born without taste buds.

Rigid social structures act like pressure cookers, particularly in our world where everyone wants to be like free Americans and thus feels frustration at every turn. It is a relatively simple matter to find the weak points in such societies and then apply psychic pressure to them.

PREPARING YOURSELF

As in all my other works, I will begin by having you work on yourself. You have to understand that by choosing to become a psionic terrorist, you are making a very big, important decision, one which will change your life forever. Things will never be the same for you. Once you have done this thing, you will have burned all your bridges behind you.

There is no going back.

That being said, I want you take a good, long look at your life. Are you happy with it? Are you happy with your world? If that is the case, then perhaps you have no need of this activity. If you are already content with things as they are then you should enjoy them to the fullest and not bother about trying to influence the world. It is a lot of work and you really don't need to do it.

But, if you are like me, you are driven by discontent. You put on the news and see a congressman from the other side of the country get up and wreck the country and you wish you could vote him out of office, but the nation is stuck with him because his constituents like him. You see the Loons of Singapore have hanged another innocent foreign worker and you wish that someone would drop a few bombs on them, or import a million masochists with spray paint cans into their silly little city and really make their lives fun. Watching the news is a cause of nothing but frustration to the masses because they see so much that they cannot change.

Psionics gives you the capacity to inflict change.

It gives you the ability to project power in the same way that a great nation does, not with aircraft carriers in this case, but with thought bombs that can be even more devastating in the long run. And you can do it with total impunity. No law can touch you because no one will know that you are doing it. The forces you will use can reach out and kill thousands, even tens of thousands, on the other side of the world and no one will have any idea that you were the one who put the forces of their deaths into motion. You can topple dictators, assassinate heads of state, ruin political careers, drive corporations into bankruptcy, all by simply using your mind, the mind of one determined individual who has chosen to focus his energy on a given target and hound it to the depths of hell. You can cause natural and man-made catastrophes, environmental nightmares, crop failures and famines, all from the ease and comfort of your home. In fact, one of things about this that most appeals to me is the image of the world being driven mad by someone in a Lazy Boy recliner with a bowl of popcorn next to him.

Is it any wonder that psionics is so frightening to so many?

Those of you who have had the great good fortune to have read my other works know I like to tell my little stories, so I have one for you now. It is a bit apocryphal in some ways, but the gist of it is basically true.

In the 1970's a common method of testing for psychokinesis was the use of the random number generator. This was, by our standards, a very primitive computer that simply had a number of lights, usually between seven and ten, light up in a pattern selected by a randomizer in the instrument processor. There was a counter under each light and the test was conducted by having the subject try to make one light go on more often than the others. And it was pretty conclusively proven that people could do that. The numbers tended to go far over the chance score.

Then one day some bright person in one of the government agencies that was looking at the data, either the CIA or the defense department, realized something. He realized that if a person could do that with a random number generator, he could probably do the same thing to any computer and thus every computer in the world was vulnerable to psychic attack.

In the early 1970s the implications of this were scary enough. Think what they mean now when everything and everyone is computerized. An angry psychic can wreak utter havoc! One bureaucrat looking at the data said "If someone could do this, we would have to kill him, but if he can do this, killing might not stop him."

Think about that! An enemy that killing cannot stop! There are a lot of white knuckles in the world over that prospect. Especially when you realize that every country in the world that has a literate population, two cents to rub together, and not actively engaged in a civil war is working on this stuff, which means the entire world with the exception of Central Africa and Bangladesh. The concept of a psychic world war is interesting to say the least.

But back to talking about doing nasty things from beyond the grave.

Now I get to tell you a really good, scary ghost story. My mother hated her sister-in-law, Aunt Fran with a passion that defies human description. It was the result of a silly misunderstanding about a funny get-well card sent to my father that arrived on the wrong day, but mother never forgave her and probably nothing disturbed my mother more about dying than the thought that Aunt Fran should outlive her.

Well, three months after mother died, I was awakened by her voice in my ear saying "I got her!" I shook my head a few times and figured that I was having an auditory illusion as part of a waking dream, the sort of thing that happens to people after the death of a loved one, took a few good, deep breaths and then proceeded to go back to sleep.

I totally forgot the matter until a few days later when my Uncle Dayton (yes, that is his real name, the city in Ohio is named after him) called to tell me that Aunt Fran was dead and had died the night of my visitation of a very bizarre heart attack. Well, it was more than just an attack. Her heart literally exploded! My mother had killed Aunt Fran from beyond the grave.

I come from a nice family. Now you know why Uncle Chuckie is so weird.

So you see killing people doesn't necessarily stop them. That is one reason why we can get away with this stuff. I mean, think about it. What prosecutor in his right mind is going to take a case where the defendant can kill him even if he is dead and assassination may prove very counter-productive. But I digress. Back to you.

You have to be certain of your motivations. Remember that the powers you will unleash are so potentially destructive that you cannot have any qualms of conscience about using them. You cannot have any subconscious censor telling you that if you do something unpleasant to another person, something unpleasant will happen to you. If you have that floating around, you had damned well better get rid of it fast or it will do you in.

So the first thing you have to work on is getting rid of your conscience. Now I will admit that I was lucky. I never seem to have developed one, at least in the conventional sense of the word. I mean, there are things I will not do because they leave a bad taste in my mouth even to think of them and that is, of course, a conditioned emotional response, but the response is there and I have learned to live with it and avoid those things. And as they are things I have no desire to do in the first place it's pretty easy. I'm not into selling drugs or sexually abusing children, so them things just ain't gonna happen, at least not with me at the controls.

But one thing I have never had a problem with is the taking of human life, as long as it is not done in such a way as to leave a mess in the living room. One should be neat in one's murders. (giggle) But seriously, the idea of an enemy dying has never been a problem for me. It is, rather, something to be hoped for and encouraged. For some reason, this is an aspect of my character that people find disturbing but I cannot imagine why. I did my first known psychic killing when I was twelve and maybe I even did one when I was nine, but I don't remember the details on that.

I would expect that you do not have that advantage going in. Do not feel bad, most people do not. The social conditioning against killing people is still very strong, but fortunately is starting to wane just a little and one sees hopeful signs in the number of murders committed by ten year olds. Ok, so I'm engaging in a bit of the deliberate nastiness that Uncle Chuckie is notorious for, but like the

anthropologist Ashley Montague, I believe that "If humanity is to survive we have to get rid of the ridiculous notion that there is something sacred about human life." And if you are going to become a psionic terrorist you cannot be squeamish about killing!

So you have to get to work to get rid of that conscience, at least as far as doing in strangers and enemies is concerned. You have to become a strict pragmatist.

What does that mean?

Oh damn, that means I have to do my anti-ethical thing here. Ok, it works like this. When people get the idea into their heads that they have to be "moral" they find themselves going through all manner of mental gymnastics to find a justification for something they have to do but their principles tell them that they should not do. The pragmatic test is much more simple. If it works, it's right. When faced with a decision about a course of action I have three criterion.

First, do I desire to perform the action? If I have no desire to do something then is there a compelling reason to do it? In other words, I don't want to use drugs, so I have no need of considering how to get away with using them. On the other hand, I may not want to take out the garbage because it is raining, but I don't want the house to stink.

Second, am I able to perform the action? I may want to levitate the house next door, but I don't have that ability.

Third, can I get away with it? Will the action bring the desired result?

If a given course of action has an affirmative answer to all three, then I will take that course of action without regard to whether or not anyone else thinks it fits into their ethical or moral system. Especially if the other person happens to be short, bald and obnoxious and don't ask me why I said that, it's a very long story.

Neither I, nor you, are in any way morally obligated to follow the ethics of another person. One may bow to brute force, but one does not have to accede to the principle behind the force. If I am determined to do something, those who object had best have the force to stop me because moral suasion will not.

In the final analysis, the desire to act is the only ethical justification an action needs.

This is the sort of determination you will need because if you think psionic combat is frowned upon, this material will cause people to go into epileptic seizures. You have to become totally ruthless in the pursuit of your goals. In other words, the removal of a dictator may involve the death of tens of thousands of innocent children in that country. Are you willing to cause that? I am. And you have to be as well if you are going to accomplish that particular end. That is

what I mean about not being squeamish.

Fortunately, modern technology has given you the means to get over some of the emotional difficulties you may have in dealing with the results of your actions.

Consider again the news on television, with its reports of war, famine and plague. All good fun stuff and the only reason for watching the news is we get to laugh at it. The normal reaction, the expected reaction to such things is unease or horror. That is why the stories are put on in the first place. But suppose you change your reaction to laughter? The emotional control that such stories is intended to impose is lost and you free yourself from the tyranny of your conscience.

"Wonderful!" you shout, jumping up from the commode and dancing around the bathroom. "But how do I do this?"

I'm glad you asked.

You are, of course, familiar with the principle of the laugh track. Television producers, faced with the fact that their comedies really are not very funny, put recorded laughter in to encourage the audience to laugh along. At one point they were even having the laugh track go off when certain characters would just walk on, the idea being to condition the audience to automatically think that person funny. You can use the same method to cure you of the whining of the television journalist.

Make your own laugh track. Take a tape recorder and keep it with you. Next time someone starts laughing, make a tape of it and keep that tape ready for play when you watch the news. Then, when they put on stories that are supposed to be really heart-wrenching, play the tape and laugh along with it. Keep this up until you can see the disasters in the other parts of the world as the entertainment that they are. I have been doing this for years. In fact one time when I was really laughing at something in the back room my mother asked, in all seriousness, who died. And a few years ago I was sitting my rocking chair watching the news while rocking and as I was rocking back the chair died of old age and I kept going until I found myself upended in, what is for a man, a ridiculous posture normally associated with women about to give birth, and realizing that I was not hurt, laughing my head off. My former house-mate, in the living room, assumed that something truly terrible had happened and I was laughing at the news, not realizing that I was laughing at myself.

But there is another benefit from watching the news, besides knowing when your operation has succeeded. You can gauge the potential effect of your workings by the type of stories that are covered and the ones that are ignored. If you are working on something in this country, the importance of the target is directly

related to the amount of coverage the target will get. A target that gets no coverage is probably not going to be worth going after unless it is a very local matter, like getting rid of an obnoxious congressman of Eastern European descent. Any foreign target, will, by definition, be subject to news coverage or you would not have heard about it in the first place.

So get to work and start laughing at the tears of others. It will make things a lot easier for you as you go along.

Another thing you really have to disabuse yourself of, if you have not already, is the ridiculous notion of karma. The idea that if you do something nasty, nasty things will happen to you if not in this life then in the next has got to go if you are going to accomplish anything.

Now, if you have been doing anything involving psychic stuff up to now, you have probably had the karma crap shoved into you to the point where it is coming out of your ears and that looks pretty silly. (It is starting to mess up your shirt collar.) You have to understand that karma is one of the biggest frauds perpetrated on the human race since the religious obsession began to infect

people back in the caves. (We can now be pretty sure that all religious experience is the result of a malfunction of the temporal lobes.) But it is just like the Christian hell. There is no such animal. It was just an idea invented for the purpose of keeping people under control.

You see societies need to control people or they develop problems. And primitive societies need a lot of control because the battle for survival is paramount. So you get monstrosities like the Mosaic Law which made sense for a band of desert nomads but were utterly ridiculous for a civilized people I mean, if you don't covet your neighbor's oxen you won't want to go out and buy one for yourself and there goes the whole economy. Karma is one of those disasters. It was created for the sole purpose of keeping the Brahman caste in control in the face of the Warrior caste, which by all rights really should have been running things. And that is all that it is. So when someone starts babbling to you about the terrible karma you will get from destroying central Africa just let them babble and ignore them. If they want to believe in that sort of nonsense let them, they only weaken themselves.

Now you may well wonder at this point why societies go through so much bother. After all, they have police (often secret) and armies and torture and all kinds of other fun things to keep people in line with. Well, it doesn't quite work that way.

You see, there are never enough police in any society to control everyone for any length of time. Oh, they may be able to do it for a decade or two, like the Soviet Union under Stalin, but then something will crack, like Stalin's doctors deciding he had lived too long followed by the meeting of the Presidium when

his putative successor, Beria, sat down and the man across from him opened his briefcase, pulled out his pistol and shot Beria dead. (The Soviets gave out a story that he had been secretly tried and executed but Krushchev let the truth out in 1960 while talking to some Italian communists.) It just can't be maintained. And police are corrupt by definition. Public relations aside, it is the honest cop who is the rarity. A system of bribery develops and pretty soon things are back to where they should be.

I happen to think that people doing what they please is a good thing. I want everyone to feel that way. And I'm willing to put up with a bit of social dislocation for the freedom of having fun. But most societies like to keep a tight control over people or next thing you know everyone is having sex and no one knows whose child is whose and who is inheriting what. In our society this isn't very important. Oh, some folks get excited over the number of unwed pregnancies, but that is really more of an economic problem easily solved by mass sterilization of the underclasses. But we really don't worry too much about inheritance and family grouping. It is not very important to us because it in no way relates to survival. In modern America one may live very happily and well without any family at all. In fact one may be happier.

Traditional societies are not like that and remember, all of the moral and ethical bullshit we are stuck with comes from a bunch of desert nomads and ancient urban homosexuals. As control of personal behavior is important in primitive cultures, they develop a bunch of rules that can be imposed without the need of state power. And thus the idea of inculcating them (brainwashing) into children from an early age comes in so that as the child grows up he is unable to think in any way other than that taught to him. The opinions of the social group, the family, the community dominate the individual rather than the opposite.

We have pretty much gotten rid of that in America, but one still finds its remnants in such ideas as "goodness" and "morality" and "ethics" and "responsibility" and, a personal bugaboo of mine that merely hearing the word sends me into a blind rage, "maturity." In our society, all you have to do is eliminate the hold that any of those words hold on you and you are on your way. It was once said of me "You don't say community and Chuck in the same sentence." Of course I wasn't supposed to know about that but walls have ears and in this case the ears were sitting in the next booth in the restaurant. (My spies are everywhere!)

So begin by questioning things. If someone says something is "good" ask what is good about it and if someone says something is "evil" ask why? Do not let yourself be controlled by the opinions, much less the emotions, of other people. Merely recognize that they are there and that they are levers by which people can be manipulated.

When you do this, you will notice that your attitude towards life changes. Let me give you one of my favorite little stories and for those of you who have read it in Psionic Combat, bear with me.

When I was sixteen, I spent a pleasant hour in study hall rereading Orwell's 1984, the section where Winston Smith is having one of his long conversations with O'Brian about the nature of civilization and the future of humanity. O'Brian tells Smith to see the future of humanity as boot stepping onto a face. Not a pleasant thought, is it? I conjures up all kinds of nasty images of Janet Reno in her leather underwear and you masochists out there stop masturbating! This is serious stuff!

Anyway, being sixteen and still rather foolish, I shared in the author's distaste for such a future but that evening I became involved in one of those violent adolescent rituals that are just a bit embarrassing to think about at my advanced age and actually had the great, good pleasure of putting a boot into someone's face. And you could say I had a conversion of sorts. Because you see I suddenly realized that such a vision of the future was not a bad thing as long as it was my boot and somebody else's face. In a flash, the world of 1984 changed from dystopia to utopia, where one could wear nice black clothing, have all the worldly pleasures and torture fools like Winston Smith. (Or, in my case, his girlfriend Julia, being the good heterosexual dom that I am. That may have been the night I took up S/M.)

So you see it all depends on how you view things. Nothing is right or wrong, good or evil, in and of itself. There are no intrinsic values. It merely depends on your point of view.

Let us say for the moment that you own a company that makes bombs. A war breaks out and you get a nice contract from one of the competing parties to supply bombs for their airplanes. Now, from the standpoint of the poor devils

who are under the bombs, this war is a very bad thing and not at all conducive to either long life or great prosperity. (Being shot at is not conducive to a healthy lifestyle.) But from your point of view, it is a very, very good thing indeed and you hope that it goes on for years and years and years.

It all depends which end of the bomb you happen to be on.

Identification is important because it is one of the keys to social control. Once you can identify yourself with the bad guy, in fiction and in fact, you go a long way to breaking the back of the those controls. So go back to my little story about 1984. When you read a work of fiction or see a movie or television show, change the focus of your personal identification from the good people (which is what the author or filmmaker usually wants you to do) to the villain. See him or her as being much like yourself and think of what you would do in his position to get away with the crime.

This is no mere exercise. You must remember that when you begin to actually

work as a psionic terrorist, the only difference between you and the poor devils on the news who keep getting caught is that you are using weapons that are undetectable and very often you will be working through those unfortunates in the orange jump suits. They will be your unwitting tools, acting out impulses that your thoughtforms will have placed in their minds. In effect, you will be the ultimate criminal mastermind, working to cause social chaos on a scale so grand that it would have been unthinkable a century ago when Conrad wrote *The Secret Agent*, which, by the way, is an excellent little book and I highly recommend it.

Never forget the fact that you are a predator and humanity is your prey. In the words of the Nuremberg Tribunal, you will be a "hostis generis hominis" an enemy of humanity.

In order to accomplish this end, you have to do a lot of work. So begin with some fantasy stuff.

Now understand at this point that you are not creating any real thoughtforms or patterns that will be carried out. You are merely training your own mind to deal with the realities of your actions. I am not going to do any sugar coating here. When you work with the real world, people will die and you must be willing to embrace that.

Sit back or lie down and enter what used to be called a reverie, or a nice relaxed state conducive to daydreaming, something which, by the way, is very important to mental development and children would be better off spending their time doing that than sitting in school learning useless stuff like spelling and math that they will never use anyway. All they really need to know is history and reading so they can work the computers but I'm digressing again.

See yourself walking down a street and there, in front of you, is a nice, fat bank, just full of money that is going to waste. Take out your submachine gun and walk through the door and begin shooting people. Feel the pleasure course through you as the bullets tear into their bodies, splattering the walls with blood.

See them writhe in dying spasms on the floor and hear their groans and cries. Fill yourself with the energy of the moment, the sheer euphoria that can only come from the taking of human life. Go around and pump a few rounds into the possible survivors and then go behind the counter and begin filling your pockets with money. Don't worry about being caught, this is a fantasy, remember, and when you have taken all you can carry, walk back out onto the street and begin shooting at pedestrians and passing cars, picking them off as they go by.

Now, didn't that feel good? Remember, that was a fantasy, do not go out and do it for real, because you may get into terrible trouble if you get caught.

Now here is one that I use because I have had the misfortune to live under the

O'Hare Field glidepath and every once in a while it can get really noisy. I visualized myself at an anti-aircraft missile control unit and when the noise of the airplane was first heard I saw it as a blip on the radar. As it grew louder, I fired the missile and saw it rise up to strike the aircraft where the wing meets the fuselage (where the hell did they ever come up with that word? I have to look it up someday.) Then I saw very clearly the explosion as the wing was ripped from the plane and the plane spun down out of control to crash in flames as the sound of the aircraft diminished to silence. By doing this little exercise I transformed a real annoyance into a pleasurable mental experience and at the same time got my mind in condition for certain operations that may have unpleasant consequences for those who have the misfortune of being in the wrong place at the right time.

This last one came in sort of useful one evening when the wind was coming out of the wrong direction and the damned things were coming the house every minute. After a while I just sort of went berserk, screamed "Enough is enough!" put on my psionic amplifying helmet and began visualizing a jet crashing into a control tower. Well, as bad luck would have it, a plane did crash into an airport within ten minutes. The only problem is that it crashed into the wrong damned airport. I was so upset I almost shot the television!

To quote my father in law, "Damn! Damn! Damn! Damn!"

Form these couple of examples, I am sure that you see how it works and I know that you have more than enough imagination to come up with scenarios of your own, and if you need help, just watch the news. There is always something you can use, often in graphic detail.

Another thing you can do is make a point of playing violent computer games. First person shooters are excellent training for the mind, especially since you are never going to be in physical proximity to your victims so they will never have any more psychological reality to you than the images on the screen. Once you realize that while they may be real people there dying on the news, to you they are nothing but two-dimensional images with no value other than the entertainment provided by their dying, you will be able to function with little difficulty.

After you have become used to this little bit of mind-play, you can start to progress to the important stuff and that requires that you be able to meditate.

EEEEEEEEEEEEEEEEEEEEK!

Was that a high-pitched shriek of outrage I just heard? Oh, I know what the problem is. You have been conditioned by the propaganda of the enemy to think of meditation as something that brings about peace and goodwill. No! No! No! It is nothing like that at all. All meditation is a procedure for calming the mind and letting it work without the hindrances of everyday life, such as worrying

about bills or what whip to use on your new girlfriend.

Begin by sitting in a quiet place and just relaxing. Don't worry about where you are in the house. All that matters is that you are not going to be disturbed. Use the bathroom if you have to. I know I get a lot of laughs when I say that, but it is the one place where one can usually count on a few minutes of peace and quiet even in the busiest of homes. There have been times when I have been at crowded affairs and the crowd has gotten too much for me (which happens often because crowds annoy me) so I have retreated to the bathroom to just sit and recover. Another method is to simply wait until everyone else in the house is sleeping. When mother was alive that was my standard procedure because that way I knew she was not going to bother me about some nonsense concerning the need for more vodka. (After my father died I really learned to appreciate the Hindu custom of burning the widow.)

Once you have your quiet place occupied, close your eyes and just breathe. Do not try to control your breath, just breathe deeply, with some regularity, and do nothing else. If a stray thought enters your mind, ignore it and go back to watching your breathing. This is the simplest form of meditation and it can have some marvelously beneficial effects in your life but that is something other people write about and not at all germane to this work.

After you have done this for a few days, start adding something. While meditating, look at the space between your eyes with your inner sight. You will begin to notice images appearing. Now do not attach any importance to them at this point. This is a natural thing and all you need to do is watch them. Most of the time, they will be very indistinct and fleeting, but occasionally one will stick. Those are the ones you need to learn to pay attention to, either to choose to continue to watch them, or, if the image is something you really do not want to see, to get rid of it and replace it with something you do want to look at.

As you continue with this, you will gain control over the images and soon should be able to call up certain ones at will.

Now when you can do this, you will have gained what is probably the most important skill you can have as a psionic terrorist. It is the basis of just about everything, from the creation of thoughtforms to remote viewing to psychokinetic mischief. It is the means by which you take the power of your mind and project it, the same way this country uses aircraft carriers to project its power. And you have to think of it in precisely those terms. You are using a capacity of your mind to influence events at a distance, usually involving people with whom you will have absolutely no direct connection.

THE BASIC INSTRUMENTS

This is something of a departure from my usual way of doing things. In the past, I have always written about such things as thoughtforms and patterns before describing the psionic instruments, but I thought it would be nice to change that this time, especially since I am going to make another departure from custom.

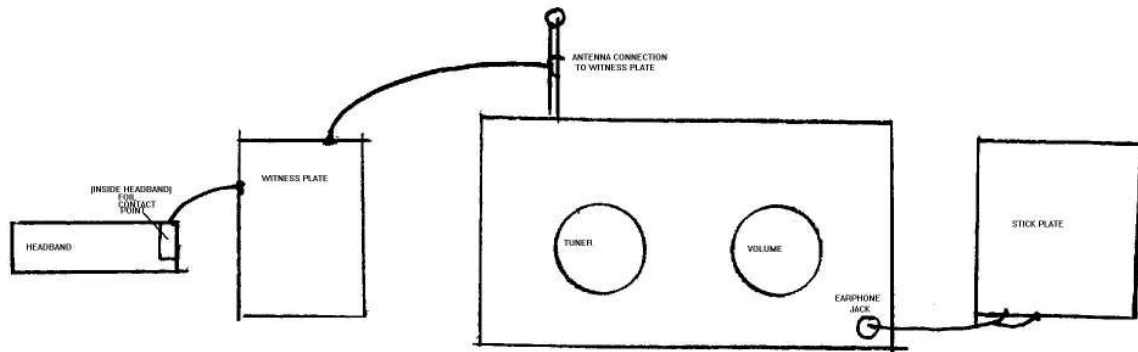
In the past, I have written about very simple devices that need no electric power and were pretty easy to make. Well, the basic instrument I will describe here is even easier to make but does use electricity because it is based on a transistor radio.

It is not considered proper to laugh that hard while reading my books. An occasional giggle is more than sufficient. We would not want the neighbors to think you had an attack of hysteria would we? Yes, I said a transistor radio.

Now this is not as utterly ridiculous as it sounds. You have to understand that virtually all of the early radionic instruments were in some way based on the idea of radio and the famous Hieronymus machine was nothing more than a modified radio receiver. If you look at the original patent you will see a system that has a radio amplifier at its heart with an optical tuning system and four tuning potentiometers attached to the antenna input and the stick pad and coil where the speaker would be. The sawed-off, one-dial unit that is usually written about and that is the basis of the symbolic versions using the circuit diagram, is nowhere near as effective or powerful a device and is virtually useless except for doing what the original patent claimed it was for, analyzing minerals, something that T. Galen Hieronymus probably used as a blind to hide the true functions of his machine. Because there is now no question in my mind but that Hieronymus was onto a very powerful psionic weapon and he did not want anyone to know that.

Again, this is a departure for me, because if you will remember what I said in *Psychic Power*, I thought that the Hieronymus machine was simply a bulky, old-fashioned instrument that could be easily replaced by my more streamlined units. OK, I was wrong. It happens every now and then. And, to make matters worse, I should have known better because my first two instruments were based on the Hieronymus pattern. I think it actually had more to do with the type of experiments I was running and the fact that I was coming up with more powerful versions of my psionic amplifying helmet and that colored my view of the equipment in general. My feeling now is that the Hieronymus-type instrument, combined with a psionic amplifying helmet or even a simple headband, is the way to go as far psionic terrorism is concerned where you need a lot of power quickly.

That being said, lets take a look at the basic instrument.



To make this instrument you will need:

1 portable FM radio with extendable antenna.

1 sheet of aluminum foil

1 packet of posterboard

a couple of feet of speaker wire and 1 plug that fits the earphone jack of the radio. You can use an old earphone plug and wire for this. Just cut off the earphone and strip the ends of the wire leaving the plug in place at the other end.

6 feet (2 m) of ordinary wire

6 alligator clips (at any hardware store).

1 plastic can lid.

Construction of the instrument

Leave the radio intact. There is no need to take it apart or do any tinkering with it. In fact, it is best if you avoid doing that because you might break something.

Cut 2 squares of foil about four inches across and do the same with the posterboard. Glue the foil squares to the posterboard squares.

Cut a one inch (25mm) wide strip of posterboard long enough to fit around your

head at the forehead with enough left over so you can glue it to the right diameter.

Cut a small square of foil (about 1 inch or so square) and glue it to the inside of the headband so that it rests firmly against the center of your forehead when you put it on.

Cut the wire into two pieces, about 1 foot and five feet in length. Strip the insulation from the ends of the wire and attach one alligator clip to each end.

Attach alligator clips to the ends of the earphone wire and plug that wire into the jack.

Attach a foil square to the earphone wire clips.

Take the other foil square and attach clip it to the 1 foot wire and clip that wire to the antenna of the radio.

As you can you now have a complete psionic transmission system. And there are certain advantages to this system if you wish to retain total secrecy in your activities.

The system does not require you to go out and purchase anything out of the ordinary. Therefore nothing you are doing will raise any suspicion. The materials are either common to every home or so common that no one would even give their purchase a second thought. Those nasty, prying government agents can never find out what you are doing because you are doing nothing to set off the red flags. You are not going out to buy ammunition, or explosives, or fertilizer. Nothing that is commonly associated with anything illegal is associated with this instrument.

The system is totally undetectable in use. Everyone has radios and everyone uses them. The most sophisticated of electronic surveillance equipment would only show that a radio had been turned on. Big deal!

And you can take it anywhere. All you need a reasonably secure place to operate it from so no one will see you with the headband on. That is the only thing that would arouse suspicion, though laughter would be more likely.

In spite of its utter simplicity, this is one of the most powerful psionic transmission systems available. It combines the direct connection to the instrument and the amplification necessary for the capacity to truly act at a distance that psionics ultimately is. And the amplifiers are already built in. You don't have to go to any extra expense or construction.

Using it is even more simple. You put the plastic plate on top the foil square that

is plugged into the earphone jack, place the witness (usually a photograph) of the target on the other foil square and set the tuning and volume controls (and any tone or other tuning controls) to the lowest setting, slowly move those controls with one hand while rubbing the plastic with your other thumb. When you have reached the right tuning you will get what is called a "stick" which is something impossible to describe but you will know it if you get it. When I do it

is like something literally grabs my thumb but other people have different responses so it is impossible to make any sort of general statement other than it is obvious when it happens. And you don't need to worry about getting an electric shock from the instrument if it is plugged in while you do this. The current coming out of the earphone jack is far too small to be a danger. But you must remember to have the cable plugged into the jack. You can tune the instrument without that connection because you are the tuner, but if the radio has electricity working through its vitals you will get horrible sounds resembling music and human speech coming out of it and that is extremely annoying.

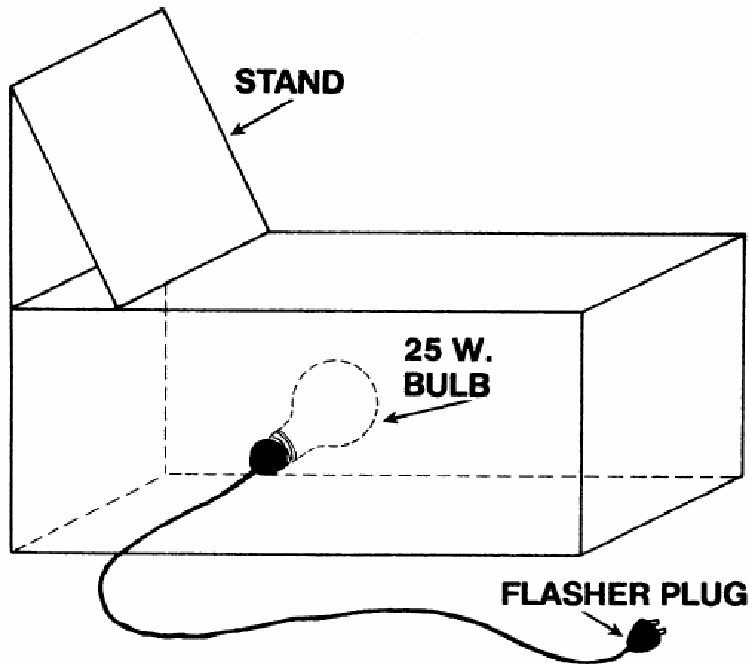
Once you have set all the movable things, (dials or slide pots) you will have what is called a rate, which is nothing more than an expression of the relationship between the operator (you) and the target which the psionic stuff will use to lock onto it.

Clip the foil of the headband to one end of the wire and clip that to the plate that the witness is on. And that is all you need do to set up the machinery. You can now put your mind to work to influence the target in any way you wish or to gather any information about the target or its surroundings that you want to in the manner of remote viewing.

The next instrument you will need to either make or acquire is a pendulum. This is nothing more than a weight suspended from a string which is about a foot long. I prefer to use weights that terminate in a point because it makes figuring out what the thing is saying so much easier. The pendulum has all kinds of uses and is a pretty standard dowsing tool. Because of that there is so much written about it that I am not going to go into any great detail here except to say that your primary use for it is going to be to find targets. For example, you want to know where a particular target lives so you can get a photograph of his house so you can use the pendulum to dowse for it on a map. That will give you a good general location to start from and then you can work from there. Likewise it can give you the most vulnerable location of a city to send a thought-bomb to cause the maximum social or economic disruption.

Working your pendulum is very simple. You merely let the weight hang over the map and ask it where the best target is to be found unless you are looking for a specific location, such as the office of a major corporation or such. The pendulum will naturally swing in the direction of the target and by taking two readings you can easily triangulate on the target location.

The next tool you need to make is the old, reliable teleflasher. Now I have written about this device for some time but it is very useful if you want to do in a public figure.



But first how to build it. You will need a cardboard box (a shoe box will do nicely), a 25 watt bulb, a flasher plug and socket, and a sheet of wax paper.

You cut the bottom out of the box on three sides so you can bend it up to make a stand. Now cut a round hole for the socket and fit it in and screw in the light

bulb. Attach the flasher plug to the plug of the socket. Now glue the wax paper over the hole in the bottom that you cut when making the stand. When you turn on the light, you will get a diffused light bathing the stand or any picture you may put on it and as the light flashes on and off it does something to the brain making transmission of the image easier.

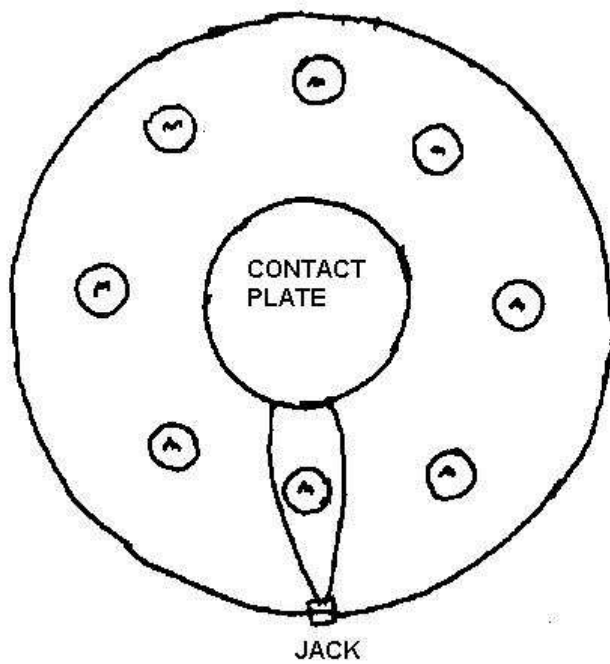
So how do you use this. Well, suppose your congressman is a real dipshit (I know, they all are, but I mean a REAL dipshit, a genuine dudych). You really want to get rid of this clown. So you use the usual disruption patterns on him but you want to make sure that he's gone after the next election. Well, all you have to do is take his picture and then draw a swastika on it. Set your transmitter to send to the entire district and put on the headgear and then put the picture of the politician on the teleflasher and turn on the light. Repeat this every night before the election and he will be gone.

This also works really well on religious figures who dare to advocate censorship, or anyone else for that matter. It is a simple matter to program the public to view them with subconscious revulsion every time they see the face or hear the name. It will then no matter what they say, no one will listen and never forget, it does not matter who is saying something or what is being said. What matters is who is listening. It is not necessary to silence the Pope as long as you can insure that the Pope will be ignored.

Of course this is the basic system. You will also want to make at least one psionic amplifying helmet.

Psionic Amplifying Helmets

There are several Psionic Amplifying Helmets that you should build and have available in your arsenal. Each has its own particular function and you will find that while they all work, there are times when one helmet will work better than the others. The helmets are the basic helmet, the tunable helmet, the light emitting helmet and the horned helmet. The inner workings of the basic and the light emitting helmets are essentially the same. The tunable and horned helmets will take a bit more work.



The components of the interior are

1 foil circle about 3 inches in diameter

3 lengths of wire

8 small magnets (magnet strip cut into 1 inch lengths works perfectly)

1 jack to plug other stuff into.

Begin by drilling a hole in the top of the helmet. Take one length of wire and make a coil at one end. With the coil inside the helmet, run the wire up and out through the top.

Drill a second hole at the back of the helmet and fit the jack. Attach the wires to the jack

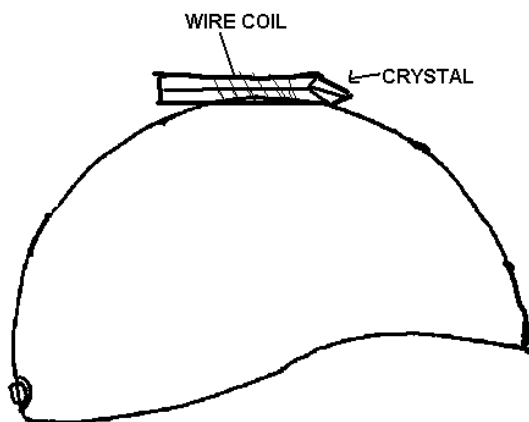
and then to the coil.

Attach the coil to the foil circle and glue the circle in place so that when the helmet is worn the circle will be on the top of your head, touching the crown chakra point.

Position the 8 magnets around the circle, as equidistant apart as possible, alternating the polarities and secure them in place with glue.

When complete, the inside of your helmet should look like the drawing.

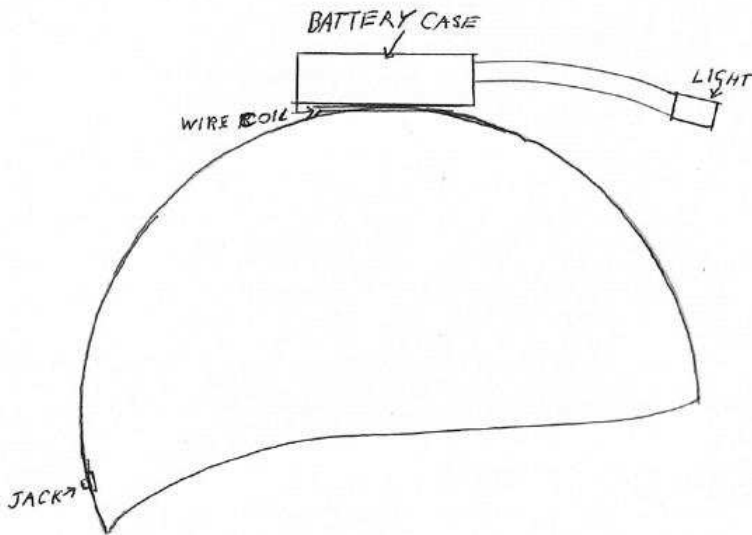
The basic helmet has the wire coming out the top coiled around a crystal to make an antenna and glued in place as in the next drawing.



This is a good helmet for most functions and should be the first one you build.

The light helmet is not a new idea. The first one I designed was a rather heavy and complicated model that I described in my Psionic Power back in the late 1980s. This one is much simpler and is essentially the same as the basic helmet except that it requires another piece of apparatus, a small snake light, easily found in most hardware stores. These small flashlights have the light at the end of a plastic gooseneck that is attached to a battery case. Before you attach this to the helmet, check to make sure that when you have it attached you will be able to switch on the light (some have the light turned on by turning the part with the bulb and some have a switch on the battery case) and be able to change the batteries.

With that ascertained, glue the light in place as in the next figure.



After the glue sets, coil the wire coming out the helmet around the base of the battery case. This will create a field effect of the thought energies coming out the top of your head, amplified by the magnets, and charging the batteries, which will then send it through the light to the witness of your target.

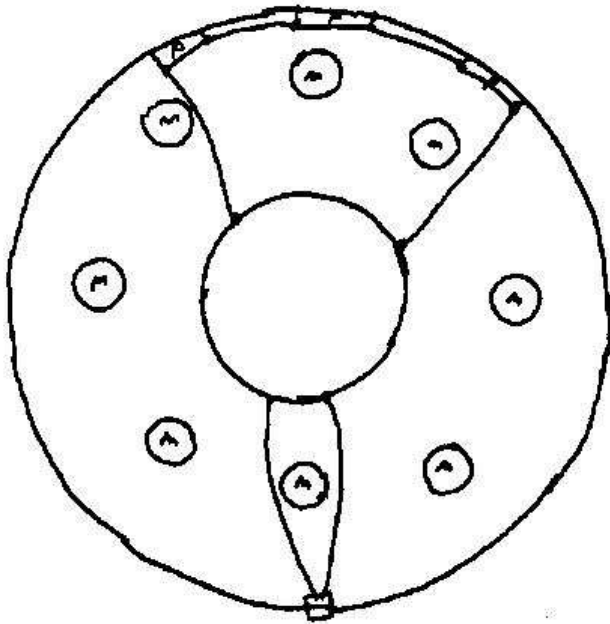
Now, you are probably wondering how one can be sure that any energy at all is coming out of the helmet by way of the light beam. Fortunately, there is a very easy way to test for that. All you need is the completed helmet and your trusted and trusty pendulum.

With the light turned off, hold the pendulum over the top of the helmet. You should get a spin around the top of the helmet as the pendulum picks up the energy coming off the amplifying magnetic grid and out the top by way of the wire coil.

Once you have done that, hold the pendulum in front of the light, but with the bulb still turned off. You will notice something. The pendulum does not spin. It just sort of hangs and vibrates a little but spin it does not.

Now, turn on the light and again, hold the pendulum in the beam. Surprise! The pendulum spins in the same way as it did when held over the top of the helmet. Thus you have proven to yourself that the energy of the coil is being transmitted out along the beam of light.

The tunable helmet is the basic helmet with a series of rotary potentiometers wired into the system. They are connected in series and then to the contact plate.



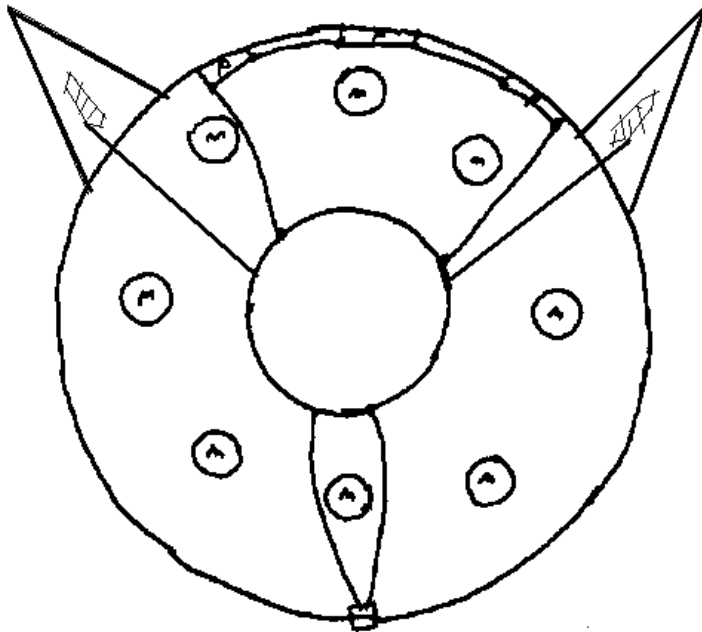
The final helmet is designed for heavy duty transmittal work. It is a tunable helmet with a couple of additions.

To make this helmet, you will need the same components as the tunable helmet with the addition of two extra crystals, some more wire and two horns. You make the horns out of poster-board cut into a circle with a cut along the radius to the center of the circle. The circle is spun along the cut to make a horn. Wrap the horn in duct tape and measure the length of the completed horn. Repeat the procedure with another circle of poster board to make a horn of the same length as the first and wrap it in duct tape.

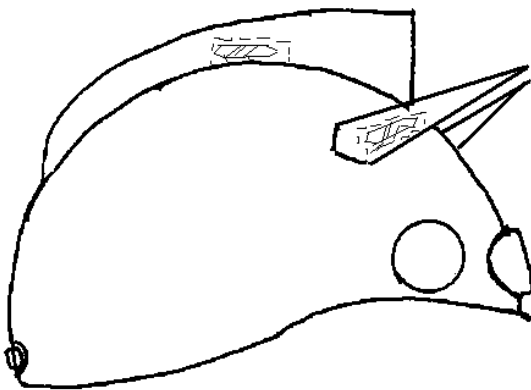
Drill two holes in the helmet towards the front.

Wrap the each of the crystals in wire and run the wire from each crystal to the contact plate and attach them there. Glue the crystals to the helmet.

Glue the horns over the two crystals.



If you wish, you can make a crest of posterboard and cover the center crystal as well. That will give you a helmet that looks something like this:



The horned helmet is based on the work of Verne Cameron, who discovered that the energy flow out of a cone is unidirectional, out the point, unlike a pyramid where the energy flows both in and out of the shape. This is why the horned helmet is best used in transmission work.

THOUGHTFORMS

Thoughtforms are something every psionic terrorist needs to know a lot about because they are the principal weapon in his arsenal, even more important than his machines. So let me explain for the millionth time it seems what a thoughtform is for the benefit of those so unfortunate to have not read any of my other books (and you know who you are! Go hang your heads in shame!).

A thoughtform is a clump of psychic stuff that is charged to bring about a specific end.

Sounds simple, right, well it is, at least in practice. The theory is real complicated so I won't go into it in this work.

The procedure for making a thoughtform is as follows.

First, you have to decide just what it is you want the thoughtform to do. You have to keep this as simple as possible because thoughtforms are really not very bright and if you give it more than one task you may confuse it and get no results at all.

Second, you have to create the thoughtform. This is done by a process combining meditation and visualization. Meditate and create an image in your mind of a object that will be the thoughtform, in effect the container for the idea you are presenting. Once you have that, visualize the function of the thoughtform inside the container.

For example, if your container is a sphere (one of the most common and easiest to work with) you would visualize the result you want (like a bridge collapsing or building blowing up) inside the sphere, so the sphere is running the image like a movie. If you are familiar with the snow globes they sell around xmas in gift shops you know what I mean. There is a scene encased in a ball.

Third, you have to give the thoughtform a name, like Bridgeblaster or something that indicates its function. This is so you can psychically get in touch with your thoughtform easier when you work with it.



Fourth, you have to charge the thoughtform. This is done by visualizing it being filled with a bright light that is the energy of the universe. You pump this light into the thoughtform until it is nigh unto bursting. The charging process has to be repeated occasionally because thoughtforms are like batteries and will run down if they are not charged on a regular basis. This is something you must not forget but it is very easy to do. All you have to do is write the name of the thoughtform on a piece of paper, put it on the witness plate of your radionic transmitter and then set the machine. Put on the headgear and visualize a new charge going into the thoughtform.

Fifth, place the thoughtform where it will do the most good. For example, if it is to summon a mass murderer into the local village hall, you would place it over the door of the village hall. If it is to destabilize an entire country, you would place it in stationary orbit over the center of that target country.

After you have done these simple things, you only need let the thoughtform work. And don't forget to recharge it!



TRANSFERENCE

This is a weird one. One of the peculiar features of psionics that makes it unique among psychic methods is the fact that it can be used to easily transfer patterns of energy and thoughtforms from one location to another. What that means is that the energy field of one place can be moved to another to bring about any desired result.

For example, the battlefield of Verdun still has a tremendous amount of energy lingering over it. Anyone who visits it is going to feel it whether they are normally psychic or not. This is not surprising considering the tremendous casualties inflicted during that most useless of struggles. Well, during the Iran-Iraq war in the 1980s, an experiment was performed to take that energy and lay it over the frontier between the two armies. A quick study of the battlefield maps indicated that the port city of Basra would be the likely juncture and so it was a simple matter to take a photograph of Verdun, put it on the transmittal side of a radionic box and place the photo of Basra on the receiving end and let the machine move the energy from one to the other. The results were nothing short of spectacular. Basra was transformed from a picturesque ancient city into an Islamic killing field, complete with the type of trench warfare unknown since 1918.

That was an case of particular nastiness, but let us say we want to make life interesting for the natives of Singapore (Do you get the feeling I have something against that place?). The dictators of Singapore pride themselves on the low crime rate of the city. So suppose we want to increase that crime rate. Nothing simpler! We just get a photograph of a crime ridden area of any large city and photograph of downtown Singapore. We place the crime area picture on the transmittal end of the instrument, set a rate for it, put the photo of Singapore on the receiving end and plug in the unit. Then we simply let nature take its course.

Now, if we really want to be nasty about this, we replace the crime area photo with a picture of British soccer fans. That should drive the Singaporans absolutely nuts.

So what is happening when we do this? Well, the energy that is left behind from any great, emotional event just sort of hangs in place. You have entered a room where a great, screaming argument has taken place a little while before and the room felt real uncomfortable. That is the left-over energy that has not yet dissipated. The sight a of a great battle may take years, even centuries in the case of Verdun, to dissipate back into the ether and as long as it is there, it can be used. By setting the radionic instrument in the way I have described, the pattern of the energy is transferred to the target. The pattern creates a psychic connection that for all practical purposes places that same energy over the target area, sort of like opening a faucet and letting the water run into the

bathtub. As the target area is filled with the energy, it takes on the aspects of the transmitting area, so the energy that produces a great deal of criminal activity becomes resident in an area that heretofore had little to none. For example, if there is a football game between two schools that are noted for the well-behaved students that attend them and the energy of a British soccer field

is transmitted to that stadium, the results may be quite exciting for the spectators and thoroughly embarrassing for the school officials.

With a little thought, you should be able to come up with all manner of interesting uses for this phenomenon.

DISRUPTION PATTERNS

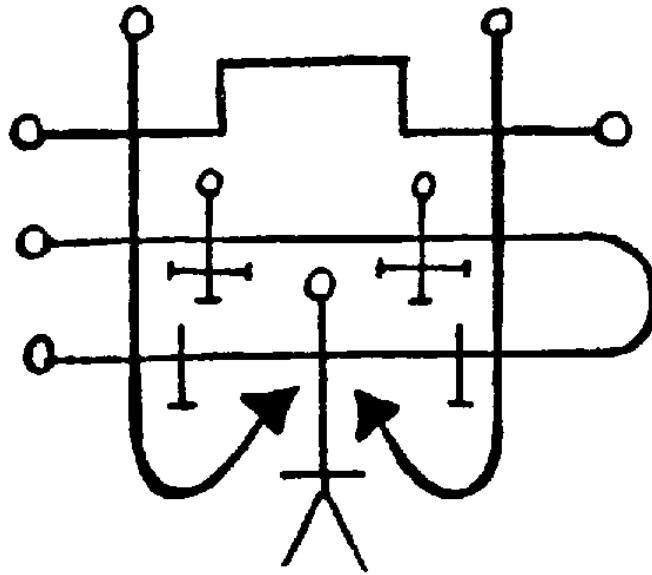
One of the really odd things about psionics is the fact that simple (or not so simple) patterns drawn on a piece of paper have real effects on things. Now this is something that should not happen and defies all attempts at rational explanation, so I am not even going to attempt that. All you need to know is that the phenomenon exists and is useful in your work as a terrorist.

The best patterns to work with are the spirit sigils from the Lesser Key of Solomon. There is something about them that links the operator with the pattern of energy that is defined as that spirit and when one of them is transmitted at a target, it will cause something to happen to that target in the nature of the spirit that the pattern is related to. Other than that, they tend to be unpredictable and one never really knows what kind of impact any given pattern is going to have other than it will cause trouble for the target. That trouble can range from mild annoyance to natural disaster of biblical proportions.

That being said, the one reliable thing that can be told about these patterns is that will cause people to make mistakes. The degree of the mistake depends of many factors but they do occur and the disruption pattern makes them more likely and more disastrous.

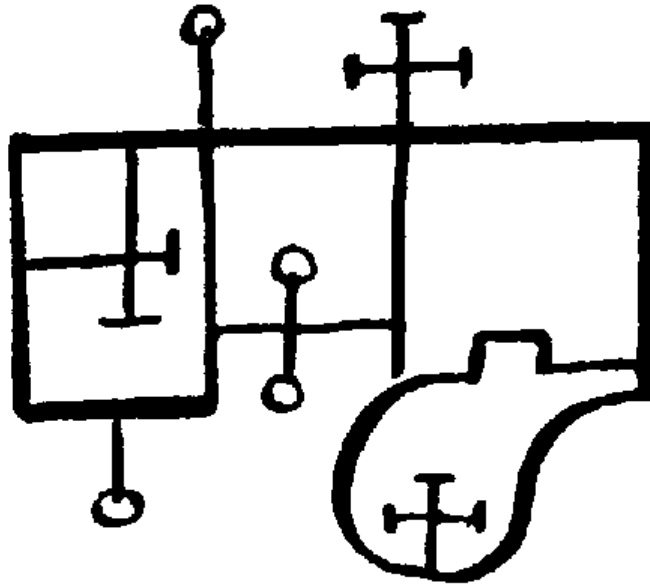
Disruption patterns may be fired at either individual people, buildings, or geographic areas depending upon the amount of damage you are trying to accomplish.

Here are a few of my favorites.



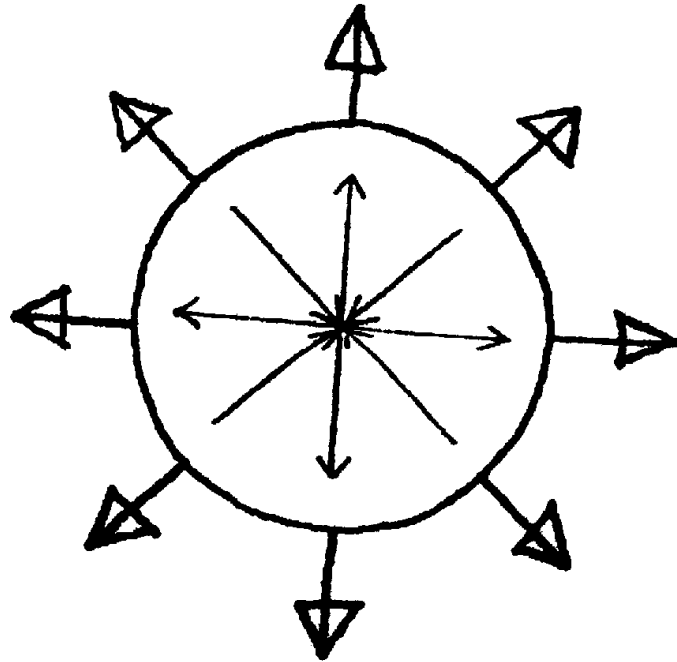
Andras

He is entirely destructive and when launched at a target will cause all manner of chaos.



Glasyalabolas

This one incites men to murder and bloodshed. Just thing to aim at a family gathering.



Chaos Mine

Fire this at any target and chaos will descend upon it.

MASS INFLUENCE

Using psionics, it is possible to influence large numbers of people at the same time. In fact, it is easier to control people in groups than it is as individuals. The reason for this lies in the fact that people rarely think for themselves, but are usually quite content to have other people do their thinking for them. If two or more people come up with a similar idea at the same time they can spread it like a fire in a gas station, all over hell, in very little time. And remember the thing about connections, how most people in a given geographic area are connected by about three or four people. So things can spread pretty fast.

Masses are moved by thoughtforms and by direct transmission. Thoughtforms first.

Most people who operate in the realm of psionics think of people in individual terms. To influence masses of people, one must think in geographic terms. The operator, in this case, will work to send a thought pattern over an a large area, maybe as big as an entire country. In order to do this the thoughtform must be designed and positioned where it can broadcast to the entire area so designated.

Let me give you an example. We all know that the greatest social evil is censorship. All other things pale in comparison to it because it attacks the mind and soul of the people it seeks to control. There is no conceivable justification for it and when the time comes that the Psionic Death Ray is up and running the advocacy of it will be punishable by death. In fact the only thing we may censor is censorship. (Yes I know it isn't logical, but who gives a fuck about logic anyway?) Anyway, it is important that the very idea be squashed as soon as it rears its fascist head, so you, being the freedom-loving psionist that you are, wish to create a thoughtform to defeat this monster.

Now this thoughtform you are working on must cover the entire country. And the best way to do that is to make the thoughtform in the form of a satellite in geosynchronous orbit, which means it stays at the same place in relation to the ground, and have it broadcast from that high frontier to the entire nation. The thoughtform is made and charged in the usual manner for such things and then sent to do it's work. As it builds power, it broadcasts to the minds of everyone in its target area and as soon as the mere word "censorship" hits their ears, they feel a rush of adrenalin and an uncontrollable desire to put a bullet in the person who said it.

And it is not necessary to create the thoughtform and put it only over the country that one lives in. One may put any thoughtform in orbit for any reason over anywhere, so if one wishes to totally destabilize a country, all one must do is create a thoughtform that will cause massive public discontent and keep

charging it until the folks in its target area rebel and keep rebelling. The more controlled the society is, more effective such a thoughtform is. (Watch out China!) And the beauty of this method is that one can in effect wage a private war upon another country and there is not a damned thing anyone can do about it because they won't know who is doing it.

Sounds like fun, doesn't it. Hell, it sure worked on Eastern Europe in 1989. So now you want to know how to make one, right. Ok, here's what is done.

The first thing the operator absolutely must do is decide what he wants the thoughtform to do. Otherwise he is going to get an ineffectual blob of energy floating out in the ether that does absolutely nothing.

Once he has the purpose of the thoughtform down, he decides where in orbit he wants to put it. He does a bit of meditating and visualizes himself out into space looking down until he can see the entire target area.

Now it is time to build the thoughtform. Shape is necessary, but unimportant. I, because of my age, tend to make mine like 1950's satellites, round things with four antennae around the center, but he can make his look any way he likes. He decides what he wants the thoughtform to look like and then while mentally out in space, begins to construct it. This is done by simple visualization and as he visualizes it, gives it a name and instructs it in what it is to do. Once he has done that, charges it and keeps charging it until he feels it is fully operational. After that, he goes back to it about once a week and gives it another shot until he starts seeing results on the evening news.

He can use the radio box on this site to maintain contact with the thoughtform and add power to the charge he places in it.

The other form of mass influence is psionic and this can involve a number of techniques.

Again, he is thinking geographically, so he will want aerial, or if possible, satellite pictures of the target area. The bigger the target, the easier it is to get satellite pictures of it. Most public libraries can obtain copies for him and there are a number of web pages that also have them. That photo will be the target witness.

With the target witness in the machine, he sets the machine for the rate for the area and dons the headgear, be it the simple headband, or a full psionic amplifying helmet, and visualizes the populace of the area doing what they are supposed to do, be it voting someone out of office or lynching a popular cleric. There are absolutely no limits on what he can send.

This method can be used very effectively as a means of indirectly influencing

elections. Poor Dan Rostenkowski never knew what hit him! He can take the target area and send a picture of the politician with a swastika imposed over him, or in a prison uniform, or if he really can hold the image and his stomach can handle it (mine can't), child molesting. I once told a friend of mine in the Theosophical Society that one radionic box was worth 50,000 votes and he did not believe me. He was wrong. A good psionicist can easily control the outcome of any election. It is not necessary to directly attack the politician psychically to do it either. One simply gets the voters to feel disgust at his very name sort like what happened just naturally to Adlai Stevenson the umpteenth in Illinois in the 1980s. He was not a bad man, or even a particularly bad senator, albeit a rather unskilled politician it turned out. But there was something about him that made people go "Yeech!" at the hearing of his name. I think it was that the good people of Illinois had just decided to put paid to the Stevenson clan once and for all and refused to vote for him. And let us be honest, how can one think about anyone named "Adlai" without laughing?

A very good method of sending an influence is to hook oneself into a machine tuned to the target and put on a videotape of something one wants to happen. Saddam Hussein was an excellent experimental subject for this, almost as good as Maggie Thatcher. (I really miss Saddam, he was such fun to play with.) For some reason the more dictatorial the character of the target, the more easily they are controlled. In any event, as part of our continuing private war against the Iranian infidels, we set up a machine to broadcast to Saddam and then put on some WW1 footage of a poison gas attack. It took him about two days to launch his.

Verbal commands may also be used and in this case it is best to confine the command to a single word or short phrase that can be repeated over and over. This is broadcast to the target area and in a matter of time the people will respond.

REMOTE VIEWING

Of all the skills that a psionic terrorist needs, remote viewing is one of the most important. It is nothing less than the means to gain information about a potential target that would not be available by other means as well as training in remote presence, the ability to psychically place yourself in the location where you will be working.

We have to begin with the fact that remote viewing is nothing new. The phrase, is, in fact, the literal meaning of the word "clairvoyance" and we all know that that has been around forever. There is nothing new about being able to see things far distant by use of the mind alone, traveling through the ether to the point that is being observed. There are many historic examples of this, perhaps the most famous being the story of the time Emmanuel Swedenborg left a dinner party in 1759 and came back in terrified. There was a huge fire in Stockholm, some two hundred miles away but the prophet was greatly relieved when he discovered that the fire was put out three houses away from his. The patron saint of television was a woman who apparently was able to watch church services from her bed some distance from the church.

In the middle of the nineteenth century the art of psychometry was popularized. This is the talent for taking an object and being able to psychically sense what has gone on around that object. The theory behind that is that the object picks up the energy field of the activity around it and that field is then readable by the psychometrist. When we use psionics to aid in remote viewing, we are basically doing psychometry with the added advantage provided by our instruments. The advantage to this method lies in the fact that it is not necessary to in any way concentrate on the target of the viewing. The instruments do all the heavy work and the viewer need only relax, meditate, and watch, sort of like television.

In order to use this system in actual remote viewing, it is first necessary to have what is called a witness, anything from the target area. This can be a rock, a photograph out of a tourist book, or even something as simple as the map coordinates written on a piece of paper. If a person is to be watched, a photograph or copy of the person's signature works very well.

The witness is placed in the sample holder of the radionic box and the box is tuned. The tuning is done by slowly turning the dials with one hand while rubbing the stick plate with the other until the stick is achieved on each dial. At this point the box is tuned to the target.

Next the headpiece is attached. The psionic amplifying helmet is tunable and it is tuned the same way as the box, turning the dials until there is a stick on the plate.

Once this is done, it is time for the operator to do his thing. He puts on the headgear and goes into a meditative, relaxed state. This opens up his mind to the impressions that will come from seeing the target.

During actual viewing, the impressions that are received are largely visual, seen very often as images filling the entire head, but a technique is also used where the eyes are closed and the visual sense is concentrated on the third eye, seeing the images as on a screen. In either event, they are there and while the first few tries may get nowhere as multiple images bounce around without making any sense, they become clearer with practice.

As you become adept at this, you will realize that you are, for all practical purposes, present in the location that you are viewing and can work their psychically, either by direct influence or creating thoughtforms that do the work for you. This is known as psychic presence.

With the addition of psionics and a little practice, virtually anyone can become expert at remote viewing.

REMOTE VIEWING AND THE WATCHER THOUGHTFORM

If you wish to do some serious remote viewing, a way to make the entire process much easier and effective is to combine psionic technology with the older method of the thoughtform. The use of thoughtforms for this is an old idea that was made popular by Al Manning in the 1970s.

The Manning technique called for making a thoughtform in the form of a television camera (still big, hulking things in those days) and programming it to broadcast images to the operator's third eye. This meant creating the thoughtform and then visualizing a cable running from it to the brow chakra. To use it, the thoughtform was willed into the location to be viewed and the person just sort of closed his eyes and focused on the region in the center of the forehead and tried to remember what was seen in the mind's eye.

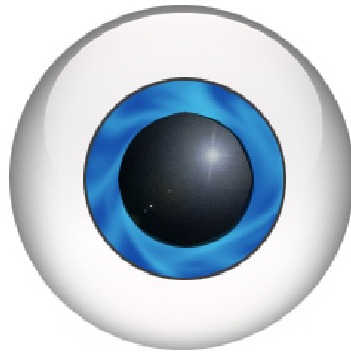


Now as it went, this is a pretty good method of working. It was usually reliable with some practice and a lot of fun for beginners because it meant that they could imagine playing with some equipment that was not exactly commonplace in them thar' olden times before camcorders and VCRs. (I never cease to be amazed at how different our lives are now than twenty-five years ago.) With psionics, this method can be made more efficient.

You will need a radionic unit and headgear, like the simple radio device in this manual or, even better, a radionic box and helmet.

The thoughtform is made by the simple process of imagination. Close your eyes and visualize a ball in front of you, now when you have that image and can hold it for a while make a slight change and transform that image into an eyeball. Yes, a camera is more fun, but it is also more work and an eyeball is just fine. Give the eyeball a name, like Spyeeye or something and see it being filled with the universal energy to power it up. As you do that, program it by commanding it

to send images of what it sees back to you when you command it.



Work on this for a while until you feel that the thoughtform is up and running properly.

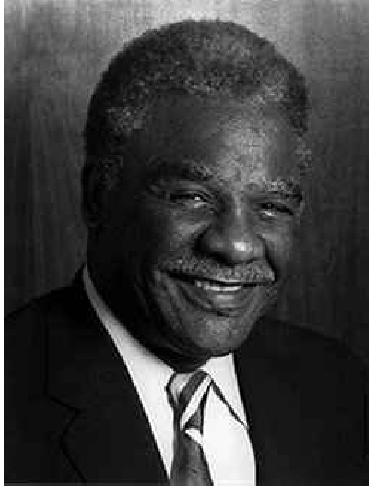
Now for the easy part. Set up your instrument, tuned to the contact rate for the thoughtform. This is done by the simple of procedure of writing the name you gave the thoughtform on a piece of paper and laying it on the sample plate before setting the instrument.

Now it is time for a little practice run. Put on the headgear and close your eyes. Focus on your brow chakra and see what appears. Move the eye around as you would a floating camera and see through it.

After you have accomplished this to your satisfaction, move the eye out of the room and around the house, out of the house and into the neighbor's bedroom. Don't waste time worrying about the ethics of this. You're working with this to get

information, not to teach Sunday school. Besides, you may find something you can use to blackmail the neighbor with and get your snow shoveled for free.

Okay, now comes the fun stuff. Set up the equipment and move the eye into the bedroom of the Mayor. Surprise! He really does wear women's underwear!



Harold Washington, dead Mayor of Chicago, was well known in the local gay community as a drag queen. The truth really hurt when it came out. Ha Ha!

Okay, I'm having a bit of fun with this, but the advantages of this are really quite astounding. Consider the business applications. You can find out what the marketing strategy of a rival firm is by looking into their board meetings and then mapping your own strategy to get the customers before they have a chance. If you know a company is going to have some tough sledding because of some news about them that is going to come out in a few days, you can call your broker and short-sell their stock to make a tidy profit. Or, if they are about to be the target of a takeover, you can buy the stock before the announcement and make a bundle. In other words, you have access to tons of inside information and the Securities and Exchange Commission can't do a blessed thing about it because you have no known connection they can trace. (Can you imagine them trying to tell a judge that someone used psionics? Can you see the judge laughing so hard he falls off the bench?)

Or let us say you are a criminal lawyer and you need to know what lies the prosecution is going to use against your client. With this technique, you can listen in on them rehearsing the arresting officer so he can remember his story on the stand (given the usual intelligence level of such folks it takes lots and lots of rehearsing) and you can find just the right thing to ask to make him look like the bribe-taking scoundrel he really is.

And, of course, there is the old stand-by for the snowy, midwestern winter night, looking at your favorite actress taking a shower, which is what I'm going to do as soon as I'm done writing this.

The important thing to remember is that there are no rules. Like all tools, this is a method to be used in whatever manner you see fit. Just remember that it takes a bit of practice and you should start with things you can verify, like what Aunt Myrtle and Uncle Eustace had for dinner. Once you know that you can do

something like this reliably, then you can move on and learn everything you want to about anyone anywhere you want.

And one of the things you will learn is that this method is not limited by time or space. After you have shocked the neighbors with the appropriate off-hand comment about the best place to buy whips and bugged the Mayor with cartoons of him cross-dressing placed all over town and made some money in the stock market while hiring out to law firms as a consultant, it is time to experiment with time.

The best thing to do is work with going back in time to something not too famous but still interesting, like the big fist fight you heard about at the neighbor's family reunion two years ago, something you would have sold your mother's grave to see.

Set up the machine and tune to the thoughtform. Now begin moving the eye back into time to the time and place you have chosen. Now you can watch the next door neighbor duck under the picnic table as the beer cans fly overhead, followed by beer bottles and finally coolers. Move the eye way up in the air for a blimp-shot of the line of police cars and paddy wagons pulling into the picnic grove.

Play around with the past for a while and then experiment with seeing the future. Now I should put in an advisory here. The future is mutable, so you may see things that just don't happen. Don't put your life savings on the horse race you watch. It may turn out different. But have some fun with it and you may get something useful and profitable.

BEACON REMOTE VIEWING

One of the methods used in the remote viewing experiments of the 1970s involved what were termed "beacons." Put very simply a beacon was a person sent to view the target and the remote viewer, in effect, looked at the target through the beacon's eyes. This technique had a number of advantages for research purposes, not the least of which was the possibility of easy verification of the results. The beacon viewed what the remote viewer drew or described and would be able to tell exactly whether or not the remote viewer was right.

For military intelligence work, this method had, however, one very obvious drawback. If a person could get close enough to a target to physically eyeball it, there was absolutely no need for a remote viewer at all and thus justifying that to the various congressional committees looking into this stuff would be very difficult. Even Clayborn Pell, supporter of intelligence use of psychics that he was, would have choked on that expense.

So the beacon idea was relegated to the dustbin of interesting things of no practical value. At least until someone decided to combine it with psionics.

Psionic equipment gives the remote viewer the capacity to look through the eyes of a person even though that individual has absolutely no idea that his eyes are being used by another person. Now you can readily imagine the uses that such a technique would have for lots of people.

For example, let us say that you wish to look inside the board room of a competitor, to find out what that company's marketing strategy will be for the coming year so you can hit that market first and steal it. The usual method is to plant someone inside the company and engage in what is pretty standard business espionage. But with beacon remote viewing, you can know exactly what the competitor's CEO knows simply by looking at the scene through his eyes and hearing with his ears.

Or a more interesting idea, just to make some folks really nervous, let us say you are involved in a political campaign and you want inside information about what the other side is planning. No need to bug the telephone, just set up to look through the other candidate's campaign manager and you can have your counter-media ready even before the other side has the ad taped. Just think of what good old Dick Nixon could have done with that!

Closed door congressional hearings? No trouble. Just look through the committee chairman. The same is true with Supreme Court deliberations.

And, of course, if you are the local drug lord you can easily know when the constabulary is getting ready to bust your people so you can set up an ambush

and make their lives really interesting. All you need is a photograph of the head of the drug enforcement unit.

So how do you do this wondrous thing, so full of potential for fun and mischief?

Well, the first thing you have to know is that it is going to take just a bit of practice. You have to be able to see and hear with the mind of the beacon rather than with your own, so you have to be able to get your consciousness out of the way and that may take some work.

The equipment involved is very simple. All you need is a radionic box and headgear, such as the radiobox and headband I've described earlier. Then you have to have a photograph of your beacon.

It is best to practice with a beacon who is talkative but not aware of what you are doing. (Hell, if you want ethics, go to a seminary!) The reason for this is that in your real work the beacons will have no idea of their role and a person who is doing it voluntarily may futz things one way or the other so you may think that you are getting better results than you really are. This is one time when you want to know the truth, not what you want to hear.

Anyway, once you have your beacon chosen, take the photograph and place it on the sample plate or well of the instrument, hook up the headgear, take the contact rate and put on the headgear. After you have done that, blank out your mind as much as possible by focusing your interior gaze on the center of your forehead and start noticing what impressions you get. They will not be very clear at first but with practice they will improve.

The remote hearing aspect is a little more difficult, but fortunately the ganzfeld technique works very well to aid that. Take a ping-pong ball and split it along the seam. Now paint the ball red or have a red light nearby with the ball halves placed over your eyes. Hook up a pair of headphones to a tape recorder with a tape of white noise (or just play it without a tape in it) to block out external noise and repeat the experiment. You will find with some practice that you will be able to lock yourself totally into the sensory input of the beacon and be able to gather everything that he sees or hears.

Have fun.

INSTITUTIONAL TARGETS

When attacking an institution, such as a corporation or government, it is necessary to keep in mind that such things, while not totally dependent upon the actions of any given individual can be greatly harmed by mistakes caused by individuals working for them. A business can survive many things but total incompetence on the part of the CEO is rarely one of them. Likewise, a government agency can be seriously damaged by the stupidity of one of its employees. Witness the almost daily embarrassments faced by the Justice Department in the face of the utter buffoonery of the Butcher of Waco.

There are also infrastructural targets within institutions, such as their computer systems, that are extremely vulnerable to psionic attack and these often respond to the same stimulus that is applied to the people in the institution. For that reason, one should never be surprised at the nature of the results one achieves. An attack may be launched against the employees of a corporation and its computers may go down at the same time.

When choosing an institution to target, you must keep in mind that what are you aiming for is to either totally ruin it, in the case of a business, or make it look totally incompetent, in the case of a governmental agency. You may also wish to target given individuals in the agency even though you may not know who they are but are a problem by virtue of their given function.

When attacking a business, the principal target should be its mail room. Now this may seem utterly ridiculous on the surface, but consider that businesses survive only as long as they can keep their customers happy. The mailroom is where most of the contact with the customers takes place because that is where the bills are mailed from and payments are received through. If the people in that department, who are considered the lowest of the low in the office hierarchy and therefore less than competent by definition, really mess up, the entire operation of the business goes to hell. The accounts get screwed and the customers have a fit.

The next target in order of priority is the computer system. No business today can exist without its computers and many businesses exist only in a computer which does all the heavy work. If that system goes down, or does some bizarre things, the entire enterprise becomes endangered because it cannot work without it. Therefore an attack on computers is something you should practice regularly if only to keep your skills honed. For that reason I have included a separate section on that.

Back to the personnel. The accounts payable and accounts receivable staff are to be targeted for disruption. Errors in those departments have a real bad impact on the balance sheet and make the stockholders very unhappy.

Employee theft should be encouraged at all levels. This too, negatively impacts profits. As does employee violence. An employee running amok with a shotgun will do nothing to help either the image or operation of a concern.

If the business is in manufacturing, the employees in that area should be both hit with disruption patterns and given suggestions of discontent either by thoughtform or direct psychic presence.

Finally, one gets to the decision making level. The CEO should be hit with a disruption pattern to cause him to make the type of errors that lead to bankruptcy or hostile takeovers by other companies.

That is a very general overview of course. I will get into more detail later in the sections on specific technique, such as dealing with the computers. But on to governmental targets.

Governmental agencies are hit the same way businesses are, beginning in the mailroom. These agencies send out enough paper every day to cut down a forest and if something happens to make sure that that paper does not get where it is going it creates all manner of problems. The agency then acts on incomplete information and pretty soon someone is complaining to congress and then to the media and then back to congress and the budget gets cut. But that is a very slow method. The better way is to attack the agency directly, by blasting its employees.

When you target employees at a governmental agency, you are not attacking people so much as functions and you want to make sure that those functions are disrupted as much as possible. So here is how you do it.

Get a photograph of the building you are going to be dealing with. Usually that is a large federal building downtown in a city and getting that picture is pretty easy. Just be sure you are walking and not driving a rented truck. That makes them understandably nervous. Once you have that picture, you put it on the input plate of your radionic instrument and set up the machine to remote view inside the building following the instructions in that section.

When you do remote viewing, you are establishing a psychic presence in the building and you can work through that presence to create the effect you wish. So psychically move through the offices until you find the office and the people you wish to target. Once you have done that, create a thoughtform in that office to bring about your desired result, be it a mysterious illness that makes the building uninhabitable, or something as mundane as starting a fire in the file cabinet. You may also enter the bodies of the employees and begin to manipulate the electrical activity of their brains, causing the neurons to misfire. Now remember that these are government employees, so it will be very hard to

detect if their brains are not working properly because they are so rarely used, but you will be amazed at the fun things you can make happen that will find their way to the evening news.

Again, computers must be targeted. Any agency that has its computers malfunction becomes utterly confused and unable to fulfill its quota of harassed citizens. For that reason, the computer is the principal target of any attack on a bureaucratic structure.

A thoroughly nasty method of dealing with the bureaucracy is based on the fact that in any society there are a certain number of highly disturbed individuals who have neither the access to psionics nor the ability to use it. These poor devils are often prone to extreme violence and not all of them work for the postal service or the Los Angeles Police Department. This being the case, it is a matter of matchmaking, getting the right nut in the same place as the right bureaucrat at the same time. This is done by the application of a thoughtform outside the main entrance of the building, rather than inside. The reason for this is that most government office buildings have metal detectors and your killer has to be able to use his gun.

The thoughtform is built and charged as in that section to cause the killer to go to the building and wait until either a specific person (if you have one in mind) or a target of opportunity comes out the door at which point your tool draws his weapon and opens fire. He, of course, will either be killed or apprehended, but that is none of your concern for after he has done his work you have no further need of him.

This last method, incidentally, is one of the best ways of dealing with lawyers and anyone in law enforcement because it is inevitable that they will cause someone to want revenge so badly that that person will have no concern for the consequences of his act. In any event, you will have attained your desired goal and no one will be the wiser. They will have the killer and have no reason to look for any other party. Even if they did, psychic power does not play well in court. Can you imagine some poor prosecutor trying to make such a case? Can you imagine the poor judge laughing so hard that he has to call a recess to change his underwear?

COMPUTERS

Here it is, the section you have all been waiting for. If one is going to be an effective terrorist, one has to know what to hit and in the civilized world the target of opportunity that gives the best possibility of serious damage with least risk is the computer system. It is easy to find and extremely easy to disable.

First, let me explain to you a little of the theory behind this procedure, which is based on a phenomenon known as micro PK, or psychokinesis as applied to subatomic particles.

Around the turn of the century, Annie Besant and C. W. Leadbeater wrote an exhaustive study of psychic investigation of subatomic structure called Occult Chemistry, which seemed to be so utterly outlandish at the time and thereafter that it was relegated to the dustbin of nut books by nutty people and more or less forgotten. Then, in the late 1970s, Dr. Stephen Phillips, a physicist who is also a Theosophist, was reading it (probably more for entertainment than anything else) and realized something very interesting. Besant and Leadbeater were writing about quarks, and don't ask me to explain them. He did some figuring with his blackboard and came up a book entitled The ESP of Quarks in which, by means of a big mess of equations that I don't pretend to understand since I can barely balance a checkbook, he proved that what they had done was influence the activity of the subatomic particles they were psychically looking at.

Now this would seem to be utter nonsense were it not for something else that was going on at the time--the random number generator experiments that I referred to earlier in this volume. Those experiments consisted of having a test subject look at lights flashing on a randomizer (a primitive computer) which had a counter under each light and try to make one light go on more often than the others. The experiments were actually quite successful (though the orthodox scientists will never admit it) and proved something that made people whose job it was to worry about such things very nervous, namely that a computer could be influenced by psychic activity.

So let us consider just what was happening in those experiments. The randomizer simply sent a bunch of electrons around to make the lights go on in a random pattern. The subject, by influencing the electron flow, influenced the way the lights worked.

Now let us consider how a computer works. There is the memory, both stored and random access. Then there is the processor that controls the way the electrons run between the stored memory, the random access memory and the other things like the keyboard and the screen. The microprocessor is nothing more than a pattern of pathways for the electrons to follow to direct them where

they are supposed to go carrying the information that makes the thing work. If the electrons go someplace else in the system, the whole thing dies. It is something like the switching system in a railroad yard. If the train director is on drugs and puts two trains on the same track going towards each other, there is going to be hell to pay.

Get the idea?

Now, one of the other interesting things about the Besant-Leadbeater work was the fact that it was possible to put psychic presence into something as small as an atom and look around. That being the case, it is a simple matter to put your psychic presence into the main processor chip of the computer (usually the flat thing with Intel written on it) and futz up the pathways, making the electrons go every which way but where they are supposed to be going.

And you don't have to change a lot of them. Just a few particles misplaced will have a disastrous impact on any system and the newer the system, the more significant the impact because they need fewer electrons to get the same things done.

Ok, now you know the theory, how do you do the work?

First, you do not need a witness of the computer you are going to hit. You are not going to get one anyway so there is no point in worrying about it. You are going to be working strictly with psychic presence and remote viewing, so practice that.

Once you have that down, choose a target. Using your radionic unit and headgear, lock first onto the target computer and then put your consciousness inside of it until you see the processor chip. Move inside of that. What you will see will be a lot of little glowing things moving very rapidly along set pathways. Those are the electrons. Do not do anything just yet, but sit and observe the phenomena until you get used to the environment.

Now, after you have done this, begin to psychically push the electrons out of one path and into another. Practice this until you can see a cross-flow of electrons from one stream to another. That cross stream will totally destroy the running of whatever program is being used.

I am sure that you can imagine what can be done with this without any help from me. I mean, just think of the fun you can have with the billing system of the local phone company, or better yet, with its call-routing system. Imagine the sheer joy people will experience when they call 911 and get Luigi Yu's Italian Take Out and Chinese Laundry. The possibilities for creative mischief are truly mind-blowing, and I am sure you will have many happy hours making people's lives as interesting as possible.

ADVERSE THERAPY

This is an old one and is perfect for hitting an individual target. Back in the 19th century the Christian Scientists, of all people, discovered something that scared them half to death. They learned that the same methods that they used to heal people could be used to make them sick and even depart this mortal coil. (I've always wondered why they called it a coil, a battery would have made more sense.)

Anyway, the method was really very simple and that is what made it so frightening. The non-healer, or sicker or--what the hell would you call him--would give a treatment to the target in much the same way as healer would, talking to the person as if he were actually present, implanting the suggestion in the mind, only at a distance and in this case the suggestion would be that the person was really very sick and ultimately was going to die.

Here is how it is done. You do not need any apparatus for this, just your mind, your mouth and a couple of chairs, one for you and one for the person who is not there. You sit your rear into the comfortable one and look at the empty one, which should be placed so that if it had an occupant he would be facing you. Try to see the person you are dealing with sitting in that chair. This may be difficult but it can be done with practice. In any event, merely knowing that you are talking to the person's subconscious mind is sufficient but the better the visualization the faster the results.

There are two ways of performing the actual operation. The first is to simply speak to the person in a script something like this.

"I know you are not feeling well, Jones, but there is nothing for it, you are going to get worse and worse and you will die before the next new moon. Even now you can feel your bones rotting in your body and your flesh falling away in gooey clumps of yeechiness. Your liver is failing and your kidneys are growing stones faster than they can be passed. Your stomach is completely ulcerated and you have internal bleeding that will continue to get worse until you finally bleed to death. Your heart is pounding faster and faster and the walls of it are about to rupture and they will rupture, suddenly and completely but not before you have an embolism in your brain..."

Anyway, you get the idea. What you are doing is implanting a strong suggestion into the subconscious of the target that every organ in his body is malfunctioning and that he is going to die. This will to death is the key to whole operation. It is an old trick used by fortune tellers. But the important thing to make it work is that you don't tell him he is going to die right there and then. He will not get the message and you will be disappointed. The key is to have him die in the

foreseeable future, like in about a month or two. This gives the telepathic message time to work into the subconscious and that part of the mind is what does the real work for you.

The second method is to use long range hypnosis. Now I am not going to try to get you to use the Vasiliev method here because that requires that you put the person under in person, plant the post-hypnotic suggestion that the victim will receive and respond to your signals and then do the real work. That is not only a lot of trouble, it is not likely you will get to hypnotize the person in the first place. At least not in the same room! No, this is going to be an implanting of a suggestion like the first method with a couple of changes. First, you will work when the person is sleeping. Second, you go through a full hypnotic induction as if the person were physically present, from putting them into trance to placing the suggestion, to bringing them out of it.

You work something like this and in this case we are going to induce suicidal tendencies.

Again, seated facing the empty chair, about 2 in the morning when the victim is likely to be asleep, you begin.

"I want you to become very relaxed, very very relaxed. You cannot stay awake and as I count down from ten you are going to be more and more relaxed until I reach zero at which time you will be asleep."

Slowly count down from ten to zero.

"You are now asleep and will respond only to my voice, hearing only what I have to say and what I have to say will take residence in your subconscious. You will not remember it consciously, but it will be there and you will respond to it.

You hate your life. Life really sucks for you. Your body has pains and is ugly. You are ugly. You have no reason for living and life is a terrible burden to you. You have no joy, no happiness. Nothing works for you and nothing can ever work for you. You are a failure at everything you do. Everyone is repulsed by you and everyone hates you and you hate them. You are a vile, evil, disgusting excuse for a human being. You are so fat, and poor and ugly that there is no reason for you to be alive and you want nothing more than to stop being alive, to die, to leave this world behind. You want to die and as the days go by you will want to die more and more until you will act on that desire. The desire to die will grow and grow and grow until you can no longer bear it and then you will (use whatever method of suicide is most likely)."

"Now I am going to count to ten and as I count you will awaken. You will not remember what I have told you but you will act on it within a month. Now I am going to count."

Count slowly to ten.

"You are awake. You are awake and refreshed. You are now fully awake."

You can see from this little sample just how effective such a suggestion can be. Repeated often enough, there is no way the subject can resist it unless he figures out what is happening and that is extremely unlikely.

For more details on detection of this, however, see my Psionic Warfare.

NEIGHBORS

I'm probably taking my life in my hands with this one, considering how long my grass sometimes gets, but every once in a while people find themselves having to deal with neighbors that they wished they did not have. Usually that ends up being very nasty and making money for the lawyers when they sue each other. But with psionics, the nuisance can be gotten rid of with little trouble and no repercussion.

Let us say the unthinkable happens. You live in a nice, quiet neighborhood and the people next door get quietly older and older and then suddenly decide they would be happier in a nursing home. Now why anyone would want to go into one of those places is beyond me, but it happens. People get weird. They put their house up for sale and before you can persuade the realtor that the place has termites, you find that you are now living next door to a family with twelve children, three dogs, two basketball hoops and a goat!

Obviously they have got to go!

Ever read *The Amityville Horror*? Well, you may not be able to accomplish that, but you can use your psionics to make life very unpleasant for them, all the time being outwardly very friendly and giving them good advice on how to replace their crabgrass with nettles and planting big rose bushes along your side of the border so their little monsters will get thorned to death if they try to climb the fence.

All you need is a photograph of the house and your radionic transmitter along with a newspaper photograph of a house where everyone in the family was murdered. This happens at least once a week, so you should have no trouble getting that.

Now there are couple of ways you can play this. The easiest is to take a rate for the murder house and the yeechy and terrifying energies still resident it in and then broadcast that rate to the house next door. Put the photo of the murder house on the input plate and take a rate. Then place the photo of the house next door on the output plate and plug the instrument in. All you have to do is wait and let nature take its course.

A slightly more difficult, but much more entertaining method is to use the radionic unit to contact the spirits of the people who were murdered. You do this by again taking a rate for the murder house and putting your mind into it, meeting the unfortunate and traumatized ghosts of the victims. Once you have done that you persuade them that they can only get rest if they haunt the house next door. Now this may sound absolutely bizarre, but it is a common method of psychic

attack in Brazil. All you are doing is using the psionics to contact the dead rather than a ritual. It may take a few tries, but when it works you can sit back and watch the fun as one night there is a terrible commotion next door and they all jump into their minivan, pack in the dogs, goats and basketballs and flee for their lives never to be seen or heard from again.

Now, if that is a bit much to do, another method is to set the machine up so you are in psychic presence in the house and create a large, black cloud filling the entire house. That cloud is then programmed to attract evil in all manner of ways to the family, be it sickness or other ruin. Keep this up until you see results. I used this method once with a girlfriend to quiet a nosy upstairs neighbor. We programmed it to make him very ill every time he played his guitar. He would start playing, she would give the cloud a shot and two minutes later he would be quiet again.

I do not recommend the more dramatic methods of hitting the house with a tornado or an airplane. You do not want to have a large, metal wing in your garage or be blown away along with the nuisance.

LAW ENFORCEMENT

The ultimate purpose of psionics is to render law impossible by rendering its enforcement suicidal.

Ok, now that I have your attention, let me say right now that I hate the very notion of law. No one has the right to tell anyone else what that person may or may not do. All sovereignty resides ultimately in the individual and while it may be convenient for individuals to form voluntary associations in order to make sure that certain things are done, like keeping the roads paved and the power on and the garbage collected, no society has the right to control any behavior on the part of individuals. Those who cannot protect themselves do not deserve protection and should be regarded as expendable.

In the late and totally unlamented (except for poor, crazy Gertrude Himmelfarb) nineteenth century, the idea of the "rule of law" was promulgated as opposed to the "rule of men," as if anyone besides men were fit to rule themselves or anything else for that matter! But what the promoters of that idea failed to recognize was that they were doing nothing more than putting a nice-sounding gloss on what was still a "rule of men." After all, who made the laws, and who enforced them? The fieldmice? God? No, it was men, crooked, stupid, vile men who gathered in large rooms and dared to call themselves legislators and impose their will on society at large backed by hired thugs called police.

And that is all that a law is. A scrap of paper, proposed by lunatics, passed by scum, enforced by thugs and obeyed by cowards.

Well, with psionics the rule of law ends!

You have to understand that there are inherent weaknesses in the idea of law. One is the idea of process. Something has to be proved. The other is in the capacity for enforcement and if enforcement becomes too expensive the law will be abandoned. And expense is not always financial.

Will the justice department pursue a criminal if it knows, beyond a shadow of a doubt, that that pursuit will end in a nuclear attack? Of course not. So the limit here is deterrence.

That is why the idea of international law always fails when it comes to a major crisis. When powers appeal to force of arms, law runs for cover.

So now that that is off my chest, how do you go about taking out the local police?

Well, it depends on what you want to accomplish. If you are just avoiding paying a speeding ticket, use the signature of the offending officer on the ticket as a witness sample and set your machine to a contact rate. Once you have done that, put a thoughtform around him that will attract a large truck to his police cruiser. That should at least insure that he will miss the court date.

Or you can be really nasty. While he is standing next to your car doing his pig thing look at his badge and get it really well placed in your memory. You will want to be able to bring up the image of it in your mind later.

While he is writing the ticket, hold his image in your mind and mentally command that he will be totally receptive to any telepathic transmission you will send later. Take your ticket and be nicely on your way.

When you get home the fun begins.

Your first move is to use long-range hypnosis. Using the method I described in the section on adverse therapy, put him under and send him the suggestion that he will be totally open and vulnerable to any energies you may put into his badge.

Now, once you have done that, bring up the image of the badge into your mind and place a thoughtform in it to kill him by stopping his heart.

Do you see where that is going? Every time he puts his badge on, his symbol of office and authority, he is committing suicide! If you do this right, he will not live to see the court date on the ticket!

If you have to take care of a serious court case, see my section on jury control. It does not matter what the evidence, a jury can always simply refuse to convict. This is known as jury nullification and it is something everyone should know about.

Now, suppose you want to totally ruin the capacity of a police department to function? You can go about this in a number of ways.

First, you must remember that all police are inherently crooked, just like politicians. The honest cop is an extreme rarity. That being the case, a simple thoughtform to cause them to be caught taking bribes, or better yet planting evidence, is usually sufficient to wreck the morale of any department, as police tend to depend on bribe money to pay the mortgage and buy the new boat.

Second, if you want to accomplish something more dramatic, set up a thoughtform over the town to turn the entire populace against the police. This will create a political crisis and make them totally unable to perform their function.

Third, aim a tornado at the police station. They can hardly charge Father Nature

with anything. And if you live near an airport, a thoughtform to cause a 747 to kamikaze itself into the station can be a very dramatic way to deal with the problem.

And, of course, you have the means to psychically influence them as well. If they instinctively know that if you get a parking ticket, that a 747 is going to hit the grade school their children go to, you are not going to get that parking ticket and you don't have to say a word. You merely use the radionic unit to implant the idea into the minds of everyone in that department while they are sleeping.

And of course there are the more mundane ways of dealing with such things, such as getting into their computers and screwing with the records and communications, so look at the section on computers and see how that is done.

JURIES AND THE LEGAL SYSTEM

One of the fundamental principles of law is that everyone accused is innocent until proven guilty. A fact that is rarely stated is that almost everyone is innocent even if they have been proven guilty and the reason for that is there is no system more corrupt or dangerous to the individual than the criminal justice one. Unless one has access to a team of very good lawyers, one is in terrible trouble if one gets involved in any way with it.

There are a number of reasons for this. First, one should remember that police officers are never to be believed under any circumstances. In fact a truly just society would never allow the admission of testimony from anyone involved in law enforcement in any capacity. The mere fact that they carry that tin star makes them untrustworthy. They will lie, cheat, plant evidence, murder, do anything that they can to get a conviction and thus add more goodies to their retirement fund.

Add to that the fact that judges tend to be lazy at best and stupid at worst. Political hacks for the most part, they get their office by sticking their noses up the rear ends of whatever politicians have a hand in selecting them. And that is where judges are elected. In the case of so-called merit selection, the situation is much worse, for then they are chosen by other lawyers along with politicians, as if one could possibly conceive of such a dreadful concatenation.

Then there are the prosecutors, those school-yard bullies grown up to pick on innocent people. These are the lowest rung of the legal profession, incapable of being good corporate attorneys or just out of law school and not yet hired by a firm, they are capable of getting convictions against public defenders who have no real interest in their clients but will crumble when faced with a competent attorney.

The whole mess ultimately lands in the laps of the weakest link in the chain, the jury. Now you must understand that juries are groups of people who are jurors because they were too stupid to get out of it. Barely literate for the most part, they subsist on an intellectual diet of local television news, soap operas and basketball. It is the task of all prosecutors to keep people with IQs over ten off of juries because such people will immediately see through the prosecution and vote to acquit the almost universally innocent defendants.

Fortunately psionics give you the opportunity to redress the balance. We have not yet come to the happy day when the psionic death ray will put an end to law once and for all by the simple process of killing anyone who would seek to enforce it, but you can, right now, make it impossible for any jury to bring in a conviction.

There are two ways of doing this. The first way is very complicated and time consuming but it never fails. It also requires a team of operators each of whom know what they are supposed to do and can do it.

You need a bunch of photographs or signatures, one from each juror, the judge, the prosecutor and the defense lawyer. These can be obtained by a combination of people, one a spectator in the courtroom and the other a person outside the courthouse manning a hidden camera. The spectator makes a mental note of each juror and then instructs the photographer as to whom to photograph as they leave the courthouse. Photos of the judge and attorneys are obtained the same way, using a hidden camera catching them as they leave the building.

The photographs of the jurors and the judge are placed in one machine and the word "innocent" is beamed at them every night during the course of the trial while they are sleeping. A pattern to build success is broadcast to the defense lawyer and a disruption pattern is broadcast to the prosecutor. The same method is used to broadcast disruption patterns to the prosecution witnesses so that no matter how well rehearsed and coached they are they will make utter fools of themselves on the witness stand. This method is assured of preventing a conviction because there will always be a few jurors, if not all of them, who will be susceptible to the transmission. The worst thing that can happen is a hung jury but usually the result will be acquittal.

If the jury is sequestered, the task is even easier. All that is needed is a photograph of the hotel they are staying in. The word "innocent" is beamed at that hotel every night and by the time the case goes to the jury, they will be totally programmed to acquit.

It is also possible to create a powerful thoughtform around the accused to make any juror who looks at him believe, without any doubt or uncertainty, that he is innocent no matter what evidence or testimony may be produced to the contrary.

PSIONIC STALKING

This is a fun one. Actually, it was not even my idea. It was cooked up by a deranged (literally) ex-girlfriend who, after eighteen years, decided that I was using my machines to psychically stalk her and wrote me a rather disjointed and nasty letter about it. It was actually rather amusing as I had not even thought of her in years and years and when the letter arrived by priority mail, no less, as evidence that she must have slipped her keepers (she always did look cute in a straightjacket), it set me to thinking about all the fun I must have missed out on.

But there was one line in the letter that sort of confirmed my long-held suspicions about this stuff. She said that there was no legal recourse for what I was supposed to have been doing (which I really wasn't, dammit!) and that meant that at some point she must have actually considered it and ended up in the local police nut file.

You have to understand that police departments are always getting calls from people claiming to be attacked by martians or KGB agents or that the big, bad CIA is beaming microwave signals into their brains, usually when they sit on the toilet for some reason. And these folks are never given any serious attention for a very simple reason. There is no evidence that martians are attacking people, the KGB was out of local jurisdiction and it is not called that anymore. It is now the FSB, and if the CIA is beaming microwaves into somebody's head it is probably legal under some obscure statute. But basically, the people who claim such things are considered to be crazy and generally ignored, unlike in more civilized ages when they were put in cages for public display and amusement.

However, just because the sufferers are not taken seriously is no reason why they cannot provide us with a bit of amusement, so, with gratitude to my crazy ex for giving me the idea, here is how you do psionic stalking.

First you will need a witness sample of the intended victim. This should be a photograph but a signature will do as well, as in all other cases where an individual is the target. Having procured that, you set up the machine in the usual way, taking a contact rate for the target and then you have to decide what it is you are going to do to this person. Let us say you are going to have a bit of fun with her while she is sleeping, in other words, dream telepathy.

With the machine set to the contact rate, put on the headgear and hold your pendulum up against an upright thing, like a wall or desk, something it can bang on, and ask what time she is going to be sleeping. The pendulum will count out the number of the hour and you can relax until then.

At the appointed time, redon your headgear and plug in the machine to get the

amplifier going. Now comes the fun part.

Begin by remote viewing. Just take a good look at her and try to avoid the obvious feelings of utter revulsion she produces in you after your unfortunate relationship. When you have done that, move your consciousness into her mind, so that you are broadcasting directly into her thoughts, in this case her dreams. Do not try to disguise your presence. You want her to know that you are there and that there is nothing she can do about it. Be as nasty in this as you can be, with the ultimate end in mind of driving her completely insane. Tell her things like how she is a terrible person who just let her mother die or remind her of the five hundred unpaid parking tickets she has. If you can manage it, send a nice visual of you as the devil and her as a soul roasting in the Christian hell. That is always good for a laugh.

Keep this up every night until you can get her to the point where she will literally be afraid of going to sleep. Once that occurs, the psychiatric profession will step in and put her on some nice, powerful medication and leave her in a very comfortable dumpster.

Another approach is less ferocious but possibly more disconcerting and that is good, old-fashioned, psychic rape. This takes a lot of practice, so do not be discouraged if you fail the first few times. It is not like she will be in bed with you laughing.

Place yourself in psychic presence with her and begin to manipulate her body in your mind. Now at this point it is important that you get your own mindset right. This is not love-making, this is hate-making. You are not seducing her, you are raping her. You are expressing your power over her by the use of her body against her will and in spite of any desires that she may have to the contrary. If you did this physically, you could get into terrible trouble, but psychically, there's nothing anyone can do about it. It's not like you're leaving any incriminating DNA on the sheets. On the contrary, there is no physical evidence whatsoever and if she goes to the cops they are going to say they cannot arrest someone for appearing in a wet dream, as unwelcome as that dream may be. In fact, they will probably die laughing at her, so you have the added benefit of ridding the world of some police officers.

So what you are going to do is move your hands all over her, night after night, as soon as she goes to sleep, all the while thinking how much you despise her and view her as a total piece of garbage. She will pick that up along with the other sensations and become very unhappy with herself in the process.

After you have done this for some time, you should be in enough rapport with your victim that you can even attack her while she is awake. Think of it, there she is at work, sitting behind her desk with the computer beeping merrily away and the printer making little chattering noises and all of a sudden, totally

unwanted, there you are working on her. If you do that often enough, you will make her totally discombobulated and cause her to make all kinds of mistakes, yell at the boss and finally become unemployed.

The beauty of all this lies in the fact that there is no escape. She can run all over the world, but your mind will seek her out and go for her. And if she tells anyone, they will think she is out of her mind, charitably assuming that she has a mind to be out of.

ON THE CORRUPTION OF THE INNOCENT

If you really want to destroy any sense of security people have, the best thing to target is their children. They are the most psychically vulnerable and anything that happens to them, particularly in large numbers, will send an entire community into a tizzy faster than you can say Yasser Arafat!

That being said, this sort of operation takes a certain amount of intestinal fortitude, unless one is already a scoutmaster or Catholic priest in which case you have probably been enlarging juvenile orifices for years and have no need of further instruction. But sexual corruption is the least significant method of affecting the young and frankly is so distasteful to me that even I have never considered it because my stomach turns at the thought. Besides, it is something that rarely sets an entire town on edge for any length of time because adolescents fuck like bunnies anyway and once the scoutmaster is hauled off to jail everyone calms down. No, what I am talking about here is something that is actually far more permanent and far nastier--juvenile suicide.

Remember all the fuss back in the eighties about kids killing themselves. Well, they still do and if they can be induced to do it in great enough numbers, the resulting chaos can really make life interesting for people who have the misfortune to be afflicted with offspring. And it is really damnably easy to cause. So easy in fact that one wonders why it is not done more often, because the fewer adolescents running around loose the better the environment for everyone as anyone who has to spend any time in a shopping mall will readily attest.

Here is what you do. You will need a radionic transmitter, a photograph of the local high school, a witness of some prominent person who has killed himself recently (if no one has done that, send out a thoughtform and wait a few days, somebody will) from the local newspaper and a tape recorder and patch cable with a plug on one end that fits the recorder earphone jack and two alligator clips on the other end, sort of like the thing you use for the output plate on the radiobox.

Put a new tape into the recorder and plug your head band into the microphone jack using the patch cable. Put a real tearjerker of a movie on the vcr and while watching it, set the tape to record. This will place your emotional reaction onto the tape. I know it sounds crazy, but believe me, it works. Your emotions are transmitted into your energy field which is picked up by the headband and then fed into the tape. Because of the weird relationship between electronics and the field (carrier wave) the information will be stored on the tape.

Once you have that tape, set the radionic unit to transmit to the local high

school. This is done by the usual means of placing the photograph on the witness plate and taking a contact rate for the building.

Transfer the photograph to the output plate and clip the cable from the tape recorder earphone jack to the antenna of the unit. Place the photograph of the suicide victim on the transmittal plate of the unit. Now, all you need do is plug in

the radiobox, turn on the recorder and let the energy from the system bathe the school, affecting all inside it. As there will be a certain percentage of students who are prone to suicide at all times, this system will give them all the psychic encouragement that they need and the end result will be a smaller number of teenagers at the local shopping mall and a general increase in peace and quiet.

Another method that works very well is to use remote induction. In order to do this, go to the section on adverse therapy and study the method of long range hypnosis. That method can be used to induce suicidal tendencies not only in a specific individual, but in a whole classroom as well.

You begin by placing your psychic presence in a class at the local high school. This is done by a procedure very similar to that of remote viewing and once you are in there, place yourself in front of the class, like between them and the teacher (who should have them half-asleep anyway, the best time to do this being first thing in the morning or near the end of the school day). Once you have done this, begin to transmit the suicide induction to the entire class. Now, as you are working with targets that are more or less awake and thinking of other things, you must be willing to repeat this every day for some time until you begin to hear of concrete results and remember that you are not likely to take out the entire class, that would be a happy surprise but given the differences in susceptibility not something to be expected. Even so there should be a few in the room who will remove themselves from life's pain in a reasonable length of time.

THOUGHTBOMBING

This sort of comes under the heading of direct pk even though when we do it we can never quite know what is going to happen. Essentially, the process of thoughtbombing combines psychic presence with making a lot of small thoughtforms and then dropping them on a target area, usually a capital city of country you don't like.

First the psychic presence.

To do thoughtbombing, you do not want to be on the ground, but rather a couple of miles above the target area. So once you have determined what your target is going to be, let us say Beijing, you get out an atlas and get an idea of where the target is in relation to the countryside. You use this as an aid in visualizing your presence.

Psychically place yourself in orbit over the target area and then move in towards it. As you approach land, the target area will become much clearer, just as if you were coming down on it from outer space. When you are close enough that you can see it filling your field of vision stop and hover.

Now the bombing.

If you can get your hands on an electronic noisemaker that simulates bomb noises, this will be of great help to you. While over the target site, visualize bombs being dropped on it as if they were falling out of an airplane and exploding as they hit. It may help to watch some old war footage to get the image in your head right. If you have the noisemaker, hit the bomb noise button each time you see a bomb hit and as the little boom goes off, visualize debris flying in the air, just as if a real bomb had gone off on the target.

Do this about once an evening until you feel you have made an impact and then watch the news to see if something happens in the target area that is sufficiently disastrous and out of the ordinary to qualify as a result. It will.

CROP DEFOLIATION

Here is one of my favorites. A few years ago I was in one of my anti-environmental furors and decided that it might be fun to defoliate the tropical rain forests. That would drive the environmentalists into conniptions and there would be nothing they could do to stop it. Well, obviously I calmed down and never did that, but it is something I keep in the back of my mind in case I ever really get pissed.

That laxity notwithstanding, agricultural radionics is something that has been around for a long time and has usually been confined to ridding cash crops of pests and weeds instead of using chemicals directly on the plants and fields. The methods for this are very simple and extremely adaptable.

The first method was to use a leaf or cutting from the plants to be treated as a witness. They would be placed in the machine with a sample of whatever they were to be treated with, fertilizer or herbicide, and then the rate taken and the machine left running until results occurred, usually rather quickly. This technique has been pretty much supplanted by replacing the leaf sample with an aerial photograph of the field to be treated. The photograph is smeared with the herbicide or pesticide and the machine turned on with again the usual rapid results. I used a similar method to rid my house of a wasp nest just outside the back door. I put a bit of Raid in the witness can and aimed the antenna of the device (the instrument was based on a low-power radio transmitter) at the nest. In a matter of an hour, there were no more wasps flying around the back door and there never were again.

So, if the technique is so simple, what can you do with it. Well, you can always defoliate the tropical rain forests and watch the environmentalist scum have heart failure. Or you can go after the local farmer who refuses to sell his land so you can build the shopping center and make it impossible for him to grow anything on it.

Consider the economic impact of agriculture. The supply/demand aspect of food production aside, there are a lot of industries peripheral to it. There are distributors, banks, products that service agriculture, the local militia and KKK, lots of things. There are a number of states that totally depend on the agriculture industry in order to keep the politicians solvent.

So let us say you really want to fuck with some southern cracker-brain's head. The thing that keeps him going is the tobacco farmers of North Carolina. Now, everyone with a nose agrees that tobacco is one of the great evils of the world. It stinks and makes the people who use it stink. And let us be honest and realize that the only people who are as inconsiderate and ill-mannered as smokers are people who don't drive. So, if the tobacco crop is destroyed, who will miss it besides

those who we don't care about anyway? Well, actually a lot of people because taxes on tobacco and tobacco products keep a lot of politicians happy.

Do you get what I'm aiming at here? Suppose the entire tobacco crop of North Carolina were to die off overnight? Let's be honest. Everyone hates the tobacco industry, but no one has the guts to come out and tell the truth that tobacco farmers are in the same category as the folks who grow poppies for heroin. They're truly the scum of the earth and anything that can drive them into bankruptcy is a good thing. So by using radionics you can hit the cancer-growers where they live, right in their fields and drive them off the land and there is no way they can stop you.

OK, stop cheering and I'll tell you how to do this.

First, you will need a satellite photograph of North Carolina, or any other state you are bombing. You can arrange to get that through your local public library. And while you are there, check to see if they have my other books. If they don't, yell at them.

Once you have that picture, you start looking at books on agriculture to find the best herbicide to attack the tobacco crop. Once you have that, you place the satellite photo and the herbicide (which you can smear on the photo) in the transmittal end of the instrument. You then take a rate and plug it in. Within a relatively short time, the agricultural reports on the news should start telling of a massive die-off of tobacco fields in the targeted area.

But let us say that your goal is more local. You have had it up to your schoutze with the local town ordinances about grass length and you decide to do something about it once and for all. Well, guess what? Go to the library and get an aerial photograph of the town. A photocopy will do and the funny thing is that most towns have such things.

Now, take some grass killer and smear it on the picture and place it in the machine as I instructed. With the machine up and running all you have to do is wait and watch everyone's lawn turn brown. Now, if you really want to have fun, take a photo of your own lawn and set another radionic device to block the rate of the attacking unit and you will have the only decent lawn in town and you may even win a prize. The blocking rate is taken simply by taking a sample of the herbicide and getting a rate for it, then resetting the dials on the radio to the opposite point with a photo of your own yard on the receiver plate.

There is another use for this method and that is to make money in the commodity market. Pick the crop you wish to invest in and then use the above method to cut down on the yield of it. That will drive the price up and the volatility of the commodity market will insure you a tidy profit.

NATURAL DISASTERS

Ok, I hate environmentalists. I think they are a plague upon the land and if were up to me they would all be shot and someday it may very well happen. But nature does have a few uses besides giving us someplace to lay the pavement.

Natural disasters are fun if you are someplace else. There are few things that can come on the news that are more entertaining than earthquakes, volcanoes (love that spewing lava!) and mudslides. Add to that the sheer joy of eating a big dinner while watching some famine rid the world of a hunk of useless population and you can see why attacking nature itself is something everyone who wants to take up psionic terrorism should do.

I have already covered the methods of crop defoliation. Weather control in general is something else and while difficult to pin down as far as exact technique goes, is something you should experiment with. My experience is that for the most part it is a manifestation of direct psychokinesis and while never 100% reliable, is always interesting.

Denying rainfall to parts of the world can have many interesting results. For one thing, it tends to increase the demand for domestic grains, so that means money can be made in the commodity market. Of course, if the demand gets too high, then you have to create a thoughtform of massive consumer discontent and force congress to vote controls on agricultural exports. This has not happened yet, but it is something to look forward too. After all, as long as there is enough for us, the rest of the world can always stand to lose a few pounds. The other benefit is that drought in the right place can cause famine and there are parts of the world that have them regularly so they should be used to it by now. And as we do not want them to get out of practice rainfall should be regularly discouraged in such places. That is accomplished by the simple application of a powerful thoughtform placed over the affected area that has as its function chasing away rain.

There are other places that can never get enough rain and they are all on hillsides or in floodplains. There is something deeply satisfying to the soul when the television news shows the home of some fool sliding down a hill when if the idiot had any brains he would have built someplace else. So again, a powerful thoughtform to produce rain is placed over the target site and then nature can do as it is told. And then there is the little matter of Bangladesh, the only place in the world where the collective IQ is a negative number. The entire country is built on a floodplain and there is one toilet in the entire place. Whenever it is flushed the entire country floods and 20,000,000 natives drown. Now you would think these damned fools would have the sense to have built their country on higher ground, but no, they stay there and drown, as nature intended such

morons to do. And, that being the case, nature again should be encouraged, so a rainfall thoughtform over Bangladesh is always a good thing to do. It is going to rain there anyway, so why not make it REALLY rain.

Then we get to earthquakes. When the ground moves everything goes to hell and they produce wonderful tsunamis, so you should work on that as much as possible and avoid living over fault lines. An earthquake is nothing more than the tectonic plates of the earth moving and making a mess of the buildings that are placed in the path of the shock wave. Now, getting those plates to move can be a bit of a problem, so the experiment will consist of putting yourself in psychic presence in the fault line and pushing. I know that this does not sound like it is going to accomplish anything, but if you can attain the proper resonance, the earth will cooperate.

Tornadoes are actually very easy to control. Begin by practicing on clouds. Go outside on a mostly sunny day and find a cloud. Now, start willing that cloud to move. You will be surprised at first but it will move in the direction you indicate.

Practice with this for a while until you are comfortable with your ability and then change to breaking up the clouds. Simply pick out a cloud and visualize it breaking up. In a matter of a few minutes it will do just that. Again, practice with this for a while.

Now we get to the fun bit. A tornado requires a big thunderstorm in order to appear. They do not come out of a clear sky. So the next time a huge storm gets going, put yourself in psychic presence some distance from your home and will a tornado to appear and touch down. Then put on the radio and listen to the news to find out if worked. If it did, and it will, select a specific target building or town and repeat the experiment next time there is a storm. With practice you should be able to level everything in sight with no risk to yourself.



Psychic presence in these cases is done by the technique of remote viewing. Hook yourself into the radio unit and visualize the target area. Tune the knobs on the radio until you have a clear image of the area and then plug the radio in.

Once you have done that, visualize the tornado appearing over the target and hitting it. This may take a few tries, but once you get the knack of it it is like riding a bicycle. You never lose the talent.

THE AIR TRAFFIC CONTROL SYSTEM



While my comments on institutional targets covers much of this material in general, this is one of the targets that requires some specific instruction. So here it is.

The air traffic control system is perhaps the most important governmental agency in the country. It makes it possible for all passenger and freight air travel to occur safely and thus is one of the most serious targets one can consider. If this system goes down, the entire air travel network goes with it.

Consider this. If aircraft are grounded on the east coast, those aircraft are not available to move passengers anywhere in the country. We see the effects of this every winter when a large airport is shut down by snow. The whole country is affected because airlines need those planes to be moving. When the system slows or is stopped, it has a serious economic impact as well as a severe personal impact on the individuals who need to get from point a to point b and cannot.

The air traffic control system is a huge network of interlocking parts. If enough of them go down at once, it becomes seriously unsafe for anyone to leave the ground. And this is not only true in the United States. It is true all over the civilized world (meaning everywhere but central Africa). In fact, in the early 1980s when Ronald Reagan brought the air traffic controllers to heel by the simple expedient of firing and replacing them, the French controllers made noises about not giving instructions to American flag air carriers. They were persuaded that this would not be a good idea when it was hinted that a few AWACS planes over the Atlantic with heavy fighter cover could turn on their electronic counter-measures equipment and blind the entire air-traffic control system of Europe.

The system itself is based on a series of control centers around the country with radar covering much of the country except for right over the Rocky Mountains where the beams get interfered with, but satellites take care of that. Inside these

centers are controllers and computers and screens that direct the aircraft and keep them from running into each other. While the tower controllers at individual airports do a lot of work, it is this other system that is the backbone of the network. It is also the prime target.

First the computers. The difficulty in dealing with the computers of the air traffic control system is their great age. Some of them actually still use vacuum tubes, in honor of the empty spaces in the heads of the members of congress who have not mandated new equipment for them. These computers are rather difficult to influence psychically because it takes more push to affect the electron flow in their processors. Even so, they are vulnerable, particularly in area of their power source, so that is the area of the computer you would wish to target. When an air traffic control computer goes down, it means that the entire control center goes down and all aircraft must be rerouted around the area that that

center would cover. If enough centers go down at once, it is possible to totally ground all air traffic over a continent.

The other target is the personnel. This is more difficult as far as bring results because it takes some pretty serious mistakes to cause trouble. The planes do not fly that close together except in landing and take-off patterns and thus causing them to collide in mid-air is quite a task. And there is some redundancy in the system so if a given controller becomes non-functional another one can fill in quite easily. The only way to bring about results with the personnel as the target is a massive disruption pattern/thoughtform combination that will disable enough of them simultaneously to create the kind of hazardous travel condition that would genuinely have a negative effect on air traffic.

For that reason, it is recommended that the computers remain the prime target in any such attack.

NUCLEAR REACTORS



Here we go! I saved the best for last. This is the one that makes everyone nervous so naturally I'm putting it in.

Nuclear power is one of the greatest things that this century has produced. Not only does it provide lots and lots of electricity for our air conditioners and microwave ovens, but it also gives us some very nice targets for psionic terrorism, targets the mere thought of hitting scares the living daylights out of everyone and not without good reason. After all, look at what happened to Chernobyl!

For that reason it is almost impossible for a conventional terrorist to get anywhere near a nuclear reactor, much less do any damage to one unless they have access to cruise missiles or naval guns. They are among the best guarded facilities in the world.

Stop drooling!

Of course no matter how good a guard system is, psionics can penetrate it. And, not without a few tiny qualms, this is how you can do all kinds of damage to one of these facilities.

It helps if you have an idea of which reactor you are going to target. One does not just get up in the morning and say, "Gee, what a nice day. I think I'll blow up Dresden and then go out for lunch." This actually takes a bit of work. And don't you even think of blowing up Dresden because it is located in Morris, Illinois, a name sacred to all cat lovers.

As in all targets, one must first consider what the weak points of a nuclear reactor are. There is a lot of heavy machinery, but that is very difficult to influence with psionics, so don't waste time with the pumping facilities that run water through the system to cool it. And the reactor core is not particularly easy to attack directly either, so forget that. The weakest points in the nuclear reactor

are the computers that make sure everything runs right and the people who man them, the operators. As usual, the weakest part is the nut behind the wheel.

Now that you know that, how do you attack one of these places?

Well, first it helps if you have a photograph of the facility. These are actually pretty easy to come by because the companies that run them publish them. And, security aside, they are big enough that one can take a photograph of one from a pretty safe distance without attracting much attention.

Once you have your photograph, you have a couple of choices of the method of attack. You can, for example, simply fire a disruption pattern at the entire facility and see what happens. That could result in nothing more than a minor inconvenience inside the plant that no one ever hears about to a major catastrophe, like Chernobyl. There is no way of knowing in advance.

The other method takes a lot more work but can bring about more reliable and often more spectacular results. You have to establish psychic presence in the control room and screw up the operators and the computers.

First you have to find the control room.



That is not as difficult as it sounds. If you look at your generic nuclear reactor, they usually come in three parts, just like Gaul. There is a cooling tower, which is absolutely useless to you so you can ignore it. That is the tall thing with the flared top with steam pouring out of it. The water from the reactor runs through that and releases its heat before being pumped back into the core to keep that part of the system from melting down to the center of the earth (actually, it would probably only go about a couple of miles down before cooling off).

The big round thing is the reactor core itself. You can look around inside if you wish, because your psychic presence is not going to be in any danger, but generally there is little that can be done. Changing the nuclear activity on the scale required for any serious consequences is usually beyond the power that

psychic presence can muster.

The target you are interested in looks like an office building or a factory. That is the main control center for the reactor. Nose around inside the place until you come upon a room with lots of computers. Once you are inside, build a thoughtform that will cause the operators in that room to make mistakes, big mistakes. Enough human errors at the same time can have extremely interesting results in any environment and in this one, well, you can imagine.

The other thing you can do is go after the computers. They are all over the place and some of them are big and old and some of them are small and new. The big and old ones are the ones you are after because they are the ones that do most of the control functions, having been put in when the reactor was constructed. The smaller ones usually just handle bookkeeping stuff but some of them may have control function as well, so it is best to not completely ignore them. In any event, a computer malfunction will cause a serious problem in the reactor and may require it to be shut down. When that happens, that reactor cannot produce electricity and the entire power grid suffers. If you can shut down enough reactors, particularly on a hot day, you can really fuck up delivery of electrical service and get the power company in terrible political trouble because without air conditioning people have this habit of dying and if enough of them do that at once the coroner's office gets really overloaded and the bodies have to be kept in refrigerator trucks and everyone's very offended by the smell.

Of course, if you are really pissed, you can work on getting the core overheated and that will produce a major emergency. In order to do that, the control system of the cooling system must be shut down, so snorf around inside the electronics (ain't psychic presence wunnerful?) until you find the circuit that controls that and then shut it down with a pk blast. If the circuit is wired to a new computer, that will be very easy as the newer the computer is, the easier it is to screw around.

Now, a couple of things. If you are going to hit a nuclear reactor, it is best to do one in another state, or better still, in another country, like China or something. If one of those suckers really blows, it will make the entire area around it for many miles totally unlivable for a long time, so don't do this if someone you like lives within hundred miles of it. And then take air currents into account because the radioactive fallout is the same as a nuclear weapon explosion and you don't want that landing on someone you like.

This capacity is the psionic terrorist's ultimate weapon. A psychic image of the local nuclear reactor with a mushroom cloud rising over it is usually sufficient to end even the most determined government sponsored mind control experiments. And remember, this can be done with nothing more than a modified radio.

Pleasant dreams.



APPENDIX

SECRECY

I don't think I need to remind you that is not the sort of thing you want to go around bragging about. A threat is actionable under law and even though you can use psionics to negate the legal process it is still an inconvenience you will want to avoid. In fact, it is best if no one has any idea that you are involved in this. That way you can act without worry.

I know, you are thinking that I am all over the map with this stuff, but remember, my ass has been out there for years now and it is no secret what I work with. So my case is a bit different. My safety depends on as many people knowing about this as possible. Your situation is different.

So work quietly, change your world and enjoy the results without telling the entire planet what you are doing.