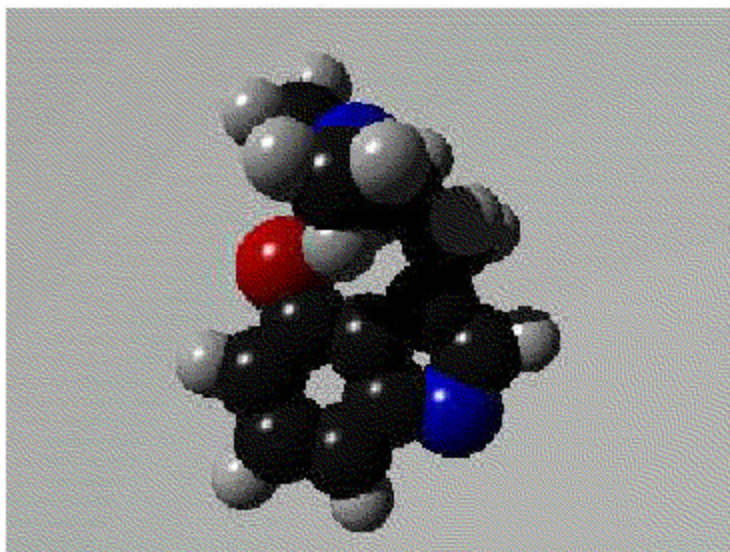

The Magic Mushroom Growers Guide

Version 2.8 -*Sputnik*

Updated 1-1-96



This document may be freely copied and distributed so long as the following conditions are met:

- *Any copies of this document must include this notice.*
- *This document must only be distributed in an unaltered and complete form.*
- *This document can not be distributed for profit.*

This document provides complete directions for cultivating psilocybin mushrooms in your home. The strain this guide is intended to help you grow is [Psilocybe cubensis](#) (Amazonian strain) mushrooms. It is the intent of this document to enable the first time grower to succeed at a minimal cost and with a minimal amount of effort. This growing guide is the only reference you will need. After a person has completed the entire cycle successfully, later generations of mushrooms can be grown with even less cost and effort. The initial cash outlay will be well under \$100 for a fully automated shroom factory. Subsequent crops can be produced for several dollars with expected yields of several ounces of dried mushrooms.

If you use this Magic Mushroom Growers Guide to produce a crop of mushrooms, we would love to hear about your experience. If this guide gives you all the information you need and you have no problems, as we expect, we would love to hear about it. If you have some good ideas and suggestions, we will include them in future versions of the guide. If you do have some difficulties, we need to hear about it so that we can address them and correct them for future cultivators. Please include the version number of the guide that you were using. We can be reached by email at na443430@anon.penet.fi.

Table of contents:

- [What has changed since version 2.7.](#)
- [Credits to those who have gone before us.](#)
- [Structure of this Document.](#)
- [Overview of Procedure and Care.](#)
- [Preparation and Colonization of the Substrate.](#)
- [Preparation of the Terrarium.](#)
- [The Growing Cycle.](#)
- [Drying and Preservation of Mushrooms.](#)
- [Dosage and Various Ways to Ingest.](#)
- [Obtaining Suitable Spores.](#)
- [The Author's First Trip.](#)

What has changed since version 2.7

Changes to this document have been numerous since it was first published, but things are starting to slow down. The goal is to provide the information the home cultivator needs to know in order for them to adapt the process to their needs.

Following is a list of changes made to the document.

- Version number was changed from 2.7 to 2.8
- email address for questions and comments changed.
- several more adaptations suggested by users.
- simpler, cleaner way to make inoculant.
- Added more options in ways to consume the fruits of your effort.
- The document was made Netscape aware. It now has a background of mushrooms.
- The diagrams were made transparent and are more pleasing to the eye.
- Declaration that it is OK to send cash to Psylocybe Fanaticus.
- New recipe for ingestion.
- Eliminate response to PF's response in the interest of harmony.
- Add hyper-text links for email.

Credits to those who have gone before us.

The procedures detailed in this document borrow heavily from past innovators. In particular, the research done by a company in Seattle Washington called [Psylocybe Fanaticus](#) is instrumental to the viability of this procedure for the novice cultivator.

Psylocybe Fanaticus sells a Technology Report for \$10.00 that will provide the home mushroom cultivator with enough information to succeed the first time. Indeed, if you ignore the numerous adaptations detailed in this document, you will end up with a procedure very similar to what they instruct you to do in their Technology Report. It would not hurt for the first time cultivator to obtain their Technology Report and read it also.

There is one main issue with Psylocybe Fanaticus' Technology Report. The issue is that Psylocybe Fanaticus's Technology Report is very simple. That is part of its beauty and the reason the procedures works so well even for the neophyte.

After the user has some experience with the procedure, there are things that can be done to adapt the procedures to the user's situation. Bare in mind that the PF Tek Notes were created to enable the first time grower to succeed. They accomplish this very well! The intent of this document is to provide some of the ways the authors have successfully adapted the base procedure to their needs and empower other cultivators to make similar choices for themselves.

Lastly, let us compliment the users of this guide for all the good feedback they have provided. Many users have offered great ideas for various sections of this guide. The ideas from users are starting to be found in every section.

Even though we have produced a very flexible and optimized growers guide, we acknowledge all the creative thinking and hard work that went ahead of us.

[Back to table of contents.](#)

Format of this Document.

How to use this document.

The procedures detailed in this document are a mixture of mandatory and optional steps. The core document describes the basic procedure in its simplest form and at various points there will be possible adaptations that can be incorporated. In general, the adaptations will summarize what is required and the benefit to the cultivator in the event the adaptation is implemented. You should read the entire document before you attempt to implement the procedures described in it.

It is our intent to provide the first time cultivator with the knowledge to make informed decisions about the growing process for Magic Mushrooms. The cultivator can select some adaptations that are felt to be worthwhile and reject others that don't have sufficient merit for him. It's his choice, but he is still guaranteed that if he follows the directions he will produce a crop of mushrooms.

This guide is published as a single document to make printing easy and simplify acquiring a copy to your local machine. There are several GIF files that it references in the directory that you found this document. You need these also. You might want to check and see if there is a file called [MMGG.ZIP](#) or [MMGG.TAR](#) in the directory you found this document. If so, you can just get this one file and it will

contain everything you need to obtain a local copy.

If you wish to examine an adaptation, simply click on it. When you're done looking at it, there will be two links. One back to the table of contents and one back to where the adaptation is used in the procedure.

One last note. A terrarium is required to complete the growing cycle. You can perform the steps to inoculate the culture jars and over the next few weeks build your terrarium. It takes time for the cultures to grow and this should provide you sufficient time to make a suitable terrarium if you are in a hurry to get started.

[Back to table of contents.](#)



Overview of the Procedure.

In order to grow mushrooms, a suitable substrate must be inoculated and colonized by the fungus. This step requires sterility because the substrate contains no preservatives and can be overrun by any mold or bacteria that is present. This first step takes place in canning jars prepared in your home's kitchen. It uses brown rice flour and vermiculite which are both readily available. A substrate is prepared, placed in the canning jars and sterilized with heat. After the jars cool, they are inoculated with a spore syringe. This phase of the cycle can be completed for less than \$25 and will produce enough substrate to yield many ounces of dried mushrooms.

After the substrate is inoculated, you wait until it is colonized completely by the fungus. Once the substrate is colonized completely by the fungus, sterility is less of a concern because the fungus is pretty much able to fight off invaders and the rice cake substrate can be removed from the jar. This typically takes between two and three weeks to complete. At this point, the substrate is placed in a terrarium where high humidity is available to the fungus. While waiting for the substrate to colonize completely, no effort is required.

The terrarium is kept at around 90% humidity and the carbon dioxide that is produced by the fungus is constantly eliminated. Within a week of being placed in the terrarium, the rice cakes will start growing mushrooms. Within several weeks of being placed in the terrarium, the cultivator will have numerous mature mushrooms ready for consumption. The cakes continue to produce mushrooms until either the nutrients in the rice cake are used up or the moisture in the rice cake is depleted. Depending on how the cultivator chooses to implement the terrarium, more or less attention is required at this phase in the cycle. With the fully automated terrarium setup described later in this document, attention is only required every few days. Mostly, this involves picking mature mushrooms and adding water to the humidifier used in the setup.

It is very likely that the mushrooms will be produced faster than they can be consumed by the home cultivator once the cropping phase of the cycle starts. It is fairly easy to dry the mushrooms and preserve

them for many months. In fact, some people prefer the dried mushrooms to their fresh counterpart. Being the master of understatement, let me state that they do not taste as good as mushrooms available in the grocery store.

Occasionally, a sterile spore print from a mature mushroom needs to be generated if the cycle is to continue. This is used to produce a spore syringe to inoculate new culture jars. It is a little bit of effort and requires very careful, sterile procedures to be successful generating a spore print. Of course, this can be circumvented by simply ordering a new spore syringe. A 10 cc. spore syringe should be sufficient to inoculate a dozen jars of substrate. It is the cultivator's choice which path to follow for successive generations.



[Back to table of contents.](#)

Preparation of the Substrate.

Mushrooms are grown on a substrate of nutrients. Just as a common house plant is grown in pot of soil, mushrooms can be grown on a cake of substrate material. The big difference is that the substrate must be free of competing bacteria and molds in order for the process to be successful. Any contamination of the substrate will result in failure of the process.

Materials needed:

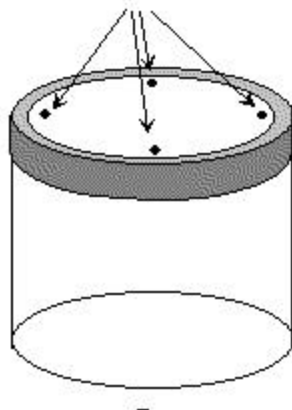
- 1/2 pint canning jars [Adaptation-1](#)
- Vermiculite (from any garden department. K-Mart, Target, etc.) [What is vermiculite???](#)
- Brown Rice flour [Adaptation-22](#) (from a health food store --- No Preservatives!)
- Large pot with lid [Adaptation-2](#)
- Measuring cups
- Mixing bowl
- Hammer and small nail
- Spore Syringe ([Where to get a spore syringe](#))

The canning jars need to be tapered. This means that the opening of the jar is wider than the body of the jar. This is important because the fully colonized rice cake needs to be removed intact from the jar. You simply want the cake to slide out when the time is right. If you use a jar that is not in the following list, check to make sure the box says it is a tapered jar. The following jars are acceptable:

- Ball 1/2 pint jelly jars.
 - Kerr wide mouth 1/2 pint canning jars.
 - Ball regular mouth 1/2 pint canning jars.
-

Step 1:

Prepare the tops of the culture jars so that they can be in place, on the jars when inoculating the jars with the spore syringe. Part of the reason this system works so well in the non-sterile kitchen environment is the fact that the sterilized substrate is never exposed to air born contaminants. Get a small nail and use the hammer to poke 4 holes in the lid of each canning jar. See the following figure:

Location of holes in lid**Step 2:**

Decide in how many jars you are going to initiate cultures. The average terrarium that is built will hold 6 rice cakes but you may have some jars destroyed by contamination and some jars colonize quicker than others. It is unlikely that every jar you prepare will be ready to be placed in the terrarium at the same time. The rice flour and vermiculite are cheap enough that it makes sense to do a dozen jars.

For each 1/2 pint jar mix 2/3 cup vermiculite and 1/4 cup brown rice flour in a mixing bowl. [Adaptation-23](#) When these ingredients are well mixed, add 1/4 cup of water for each 1/2 pint jar you plan to prepare. If you are using 1 pint jars you need to double the recipe. Mix all of this stuff up well. This mixture is the substrate material that the fungus will consume and use for growth.

Step 3:

The next step is to fill each jar with substrate material. [Adaptation-20](#) The material should be pressed gently together so that it will hold its shape if and when it is removed from the jar. The more tightly the material is pressed together, the slower the fungus will colonized the jar. Do not pack the substrate too tightly. [Adaptation-3](#) Fill each jar to within 1/2 inch of the top with substrate material. If you run out of substrate material, either mix up enough for one more 1/2 pint jar or cannibalize a jar to fill up the rest of the jars. This is important because you need to make sure the substrate is high enough in the jars for the spore syringe to inject spores into it.

Step 4:

The top 1/2 inch of the glass on each culture jar needs to be cleaned. No substrate material can be left on the glass above the compressed cake. First wipe it with your finger to get the bulk of the material off of it and then do a thorough job with a moistened paper towel. The glass needs to be spotless. The reason this is necessary is that bacteria and mold can use any material left there as a wick to infect the main substrate body.

Step 5:

Next, fill the top 1/2 inch of the each culture jar with vermiculite. This layer is pure, simple, dry vermiculite. Nothing else. Fill the jar level with the glass edge. This layer is a break through pioneered by *Psilocybe Fanaticus*. What this layer does is insulate the sterilized substrate from any air borne contamination. This layer gets sterilized with the substrate later and air borne molds and bacteria can not (usually) get through it to contaminate the substrate. At the same time, it allows some gas exchange to occur. The fungus needs oxygen and gasses can filter through the vermiculite.

Step 6:

Now, place the jar lids in place. Normally, the jar lids have a rubber seal that is placed in contact with the glass of the jar. Traditionally the rubber seal is not placed in contact with the glass. It was placed on the upper side of the lid. The reason was that people thought it would make too tight of a seal. This does not seem to be an issue. If you wish to follow tradition, place the rubber on the upper side of the lid. Screw the lid down tight. Note that you need to have the four holes poked in the lid in Step 1. Otherwise you can have real problems when you heat these jars up!

Step 7:

Next, place a piece of tin foil over the top of each jar and crumple it around the sides of the jar. This is to keep water drops from going in the four holes in the lid while the jar is being sterilized. If you poked your holes in the lid such that the sharp edges are pointing up, be careful not to rip or puncture the tin foil. If you need to, you can add a second or even a third piece of tin foil to make sure water will not drip into the holes in the lid.

Step 8:

Now the culture jars need to be sterilized. Place the jars in a large kitchen pot and add water so that water comes half way up the side of the jars. Bring the water to a slow boil and place the lid on the pot. From the time the water starts to boil, the jars need 1 hour to be sterilized. Water should not be bubbling and splashing all over the place. The jars should not be floating around in the water. The substrate in the culture jars has the right amount of water in it already. You do not want water leaking into the jars and changing the ratio.

Step 9:

Take the jars out of the hot water and set on a table or counter to cool. The jars need to be at or close to room temperature in order to inoculate. The spores will be killed if the jars are not cool enough when they are inoculated. It will take several hours to cool sufficiently. You may hear sounds as the jars cool. This is normal.

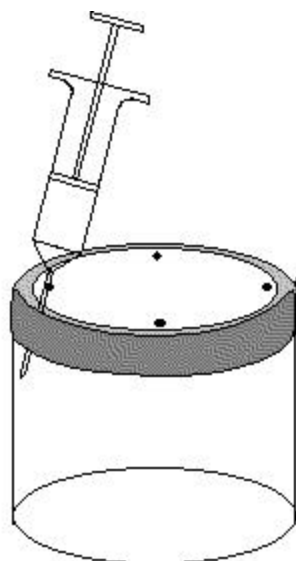
Step 10:

Now comes the good part. Inoculation of the culture jars. Assuming you have a viable, sterile spore syringe, you are now in a position to inoculate the cultures and start the first phase of the growing cycle. The needle of the spore syringe must be sterile. If your fingers or anything other than the lid or contents of the culture jars comes in contact with it, assume it is no longer sterile. If there is any doubt about its condition, use a cigarette lighter to heat the entire needle. Heat it until it glows red. Let it cool for a few

minutes and squirt some of the solution out of the syringe.

Shake the syringe. Make sure the spores are mixed well within the syringe. This can be accomplished more easily if you pull the plunger back on the syringe to get a little air into the syringe.

Remove the tin foil from each culture jar as you prepare to inoculate it. Insert the needle of the syringe as far as it will go into a hole in the lid of the culture jar and get the needle to press against the glass. Examine the next figure for a simple diagram of how things should look. Inject 1/4 cc of solution at a site under each hole in the lid. [Adaptation-4](#) A total of 1 cc of solution for each jar. [Adaptation-5](#)



Innoculation of Substrate

A 10 cc spore syringe is sufficient to inoculate a dozen jars if you inject slightly less than 1 cc in each jar.

Step 11:

This is the easy part. Put the culture jars in a dark place and wait. The fungus will first appear as little splotches of white fuzzy stuff at the inoculation sites. [Adaptation-6](#)



As the time goes by, the fungus will spread throughout the jar. Eventually, the entire surface of the glass

will be covered with fungus. Typically, the bottom of the jar is the last area to be colonized. Be on the look out for any contamination.

Any odd colors that might appear are contamination and the jar must be thrown out. Do not take any chances. If you think the jar might be contaminated, throw it out!. Some molds and bacteria produce toxins that can kill you. Just because a mushroom is growing on the opposite side of the cake from the contamination does not mean you are safe. The mycelium network carries nutrients and moisture to the mushrooms from far away and can easily pick up the toxins and bring them to the mushroom. The fact that you are using this guide means you are not an experienced mycologist. You do not know which molds and bacteria are deadly. Do not take a chance.

The one exception to the previous statements is the mycelium will some times change from a bright white to a very pale yellow if it has water droplets touching it on the side of the glass. It is very unusual for any area that is colonized by the mushroom fungus to become infected while in the jar. The uncolonized areas of the substrate are usually significantly more prone to infection.

The above pictures show a typical germination and colonization cycle. If your spores are old, or the temperature is not optimum, or you did not mix the substrate very accurately you can easily add a week to the above time frames.

The cake must stay in the jar until the entire surface area is covered with mycelium. As the substrate gets more colonized, the growth slows down. This is a result of CO₂ building up and less oxygen being available for the fungus to consume. [Adaptation-7](#)

The cakes can not be taken out of the jars while there is still uncolonized substrate. [Adaptation-8](#)

Step 12:

Once a rice cake is fully colonized, it can be taken out of the culture jar. [Adaptation-9](#) At this point, there are no areas on the substrate that can easily be infected by competitor molds and bacteria. Once the mycelium is established, it can usually prevent other organisms from gaining a foot hold and destroying the rice cake.

[Adaptation-10](#) Unscrew and remove the lid from the canning jars. Scrape all the loose vermiculite on the top of the substrate into the garbage. Take care not to gouge into the substrate material as this can leave areas open to infection. You do not need to get all the vermiculite off of the cake. In fact, the only reason to remove any of it is to keep the terrarium neat and orderly. Turn the jar up side down and slam it onto a table top. The rice cake should slide out of the jar. The rice cakes will typically shrink a little during the colonization phase of the process and will come out of the jars easily with a little tapping on a table top.

Step 13:

The rice cakes need to be placed into the terrarium. It is assumed that you have a fully functional and checked out terrarium setup at this point. This document contains all the information you need to prepare a terrarium. [Preparation of the terrarium.](#)

You can handle the cakes but remember that the less you handle them and the more gently you handle them, the better off they will be. Also, you should wash your hands thoroughly and be sure to rinse with water just as thoroughly to remove any soap before touching the cakes.



If you have disposable sterile gloves available, it isn't a bad idea to use them. You can get away without using them, but they are a good idea. Contamination is the mycophile's worst enemy.

[Back to table of contents.](#)

[The Growing Cycle.](#)

[Construction of the Terrarium.](#)

Construction of the Terrarium.

The main purpose of the terrarium is to provide the high humidity required for mushroom development. The rice cakes will live inside the terrarium during the cropping phase of the growing cycle.

There are three different setups described in this document. The first two are based on work done by Psylocybe Fanaticus. They work, and you will get some mushrooms, but they require a lot of attention and your production will be very limited compared to the third option. I strongly encourage you to choose the one that uses the ultra-sonic humidifier to keep humidity up. It requires very limited maintenance and works very well.

All three of the terrarium setups require the same growing chamber. The difference is the strategy for keeping the humidity high inside of the growing chamber. If you want, you can start with one of the simpler versions and switch to a different setup later if you are unhappy with it. Note that if you start with the ultra-sonic humidifier version, we don't expect that you will want to switch to one of the other two.

Basic Growing Chamber.

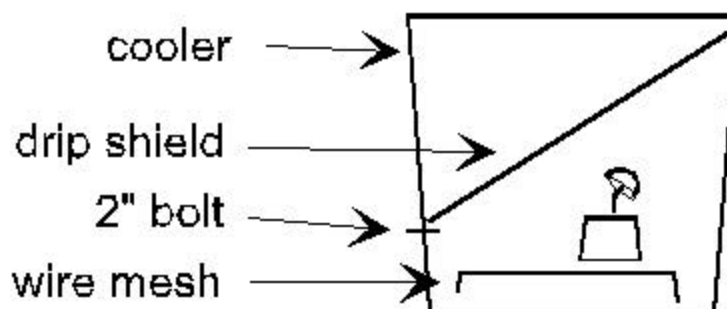
Materials needed:

- Styrofoam Cooler [Adaptation-11](#)
- Wire Mesh (1/4 or 1/2 inch is ideal)
- Plexi Glass (a 24 by 24 inch piece of window insulation or fluorescent light diffuser) If using hand sprayer method of boosting humidity.
- Silicon Glue
- Humidity Gauge [Adaptation-12](#)

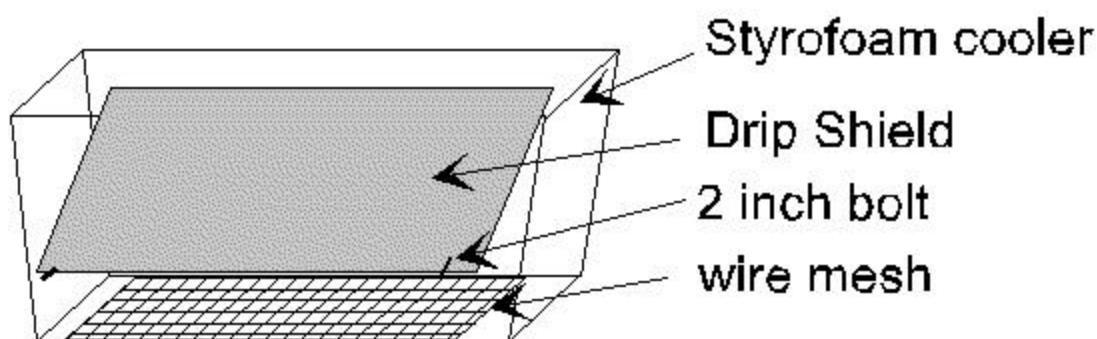
The cooler needs to have a very tight fitting cover. The idea is to seal in humidity, and the looser the lid is,

the more difficult this is. Except for the cooler, everything you need can be found at your neighborhood building supply store. Below are diagrams detailing the various components of the terrarium. There is no way to predict the dimensions of the cooler that you will use. You will need to use some common sense as we walk you through the steps to build your terrarium.

Side View of Terrarium



Front View of Terrarium



The purpose of the wire mesh is to hold the rice cakes off the bottom of the cooler where moisture will collect. The easiest thing to do is cut a piece of wire mesh an inch wider and an inch longer than the dimensions of the bottom of the cooler. Then, use a pair of pliers to bend a 1/2 inch ridge all the way around the piece of wire mesh. The piece of mesh will be held up by the bent ridge. Often times, when mushrooms are growing, space above them is at a premium. Try not to raise the wire mesh more than a 1/2 inch above the bottom of the cooler. Doing that simply wastes valuable space.

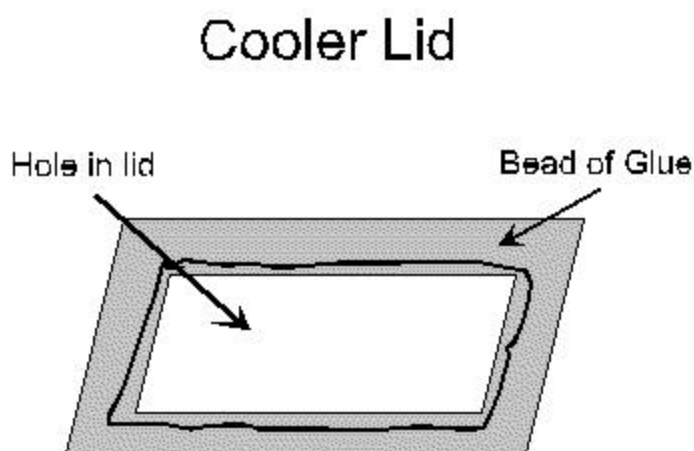
Next, if you are going to use the hand sprayer method of adding humidity, a drip shield needs to be installed. If you are using a fish tank bubbler or an ultra sonic humidifier, it is optional but still a good idea. As moisture condenses inside the terrarium, this protects the rice cakes from being 'rained' upon. Any moisture that forms on the lid of the cooler can drip and will be stopped by the drip shield from hitting the rice cakes. Any moisture that forms on the bottom side of the drip shield will form beads and run down to the side of the terrarium where it can drip harmlessly. If you use a piece of plexi-glass that is textured on one side, put the textured side pointing up. You want a smooth surface on the bottom side of the drip shield so that moisture can easily run down to the side of the terrarium.

The drip shield is held up by several bolts sticking through the side of the cooler. Depending on what size canning jars you use and the height of your wire mesh, you will need to figure out where to put them. You

want the drip shield to be at as steep of angle as possible to make water run down it easily, but you want it high enough that your mushrooms have room to grow without touching the drip shield. The drip shield needs to fit well. You need a small gap on the edges to let air circulate, but keep it small. About 1/4 inch is good. In other words, the drip shield should fit pretty well to the inside of the cooler, but it is not supposed to be air tight. Also remember when shaping the drip shield that you can not go to the very top of the cooler because the lid will recess into the cooler a little ways.

If you are using a Styrofoam cooler, you should use washers on the bolts on both the inside and outside of the cooler. This will allow you to tighten the nuts on the bolts snugly to keep the bolts from tearing up the cooler as you move the drip shield during normal maintenance.

Next, the top of the cooler needs to be modified to allow light to enter the terrarium. *Psilocybe Cubensis* is a phototropic mushroom. It needs light to initiate pinning and to tell the mushrooms which way is up. You should have some plexi-glass left over from the drip shield that can be used for this purpose. Cut a hole in the top of cooler. Cut a piece of plexi-glass a little bit bigger than the hole in the cooler lid. Run a bead of silicon glue all the way around the hole in the cooler top. Position the plexi-glass over the hole and let the glue setup. See the following diagram:



That is it. The basic grow chamber is done. Now you need to decide which method you are going to use to keep the humidity high and the CO₂ concentration low while the mushrooms are growing.

Method 1: Hand Spraying.

This is the original method that *Psylocybe Fanaticus* recommended for the home cultivator to grow mushrooms. It is the least expensive. It is the most labor intensive and forces you to conform to a demanding schedule. The only thing you need in addition to the basic growing chamber is a spray bottle that can put out a fine mist.

The procedure is this: At least four times a day the terrarium needs to have humidity injected into it via the spray bottle. At least twice a day the CO₂ that has built up needs to be eliminated. Once a day you

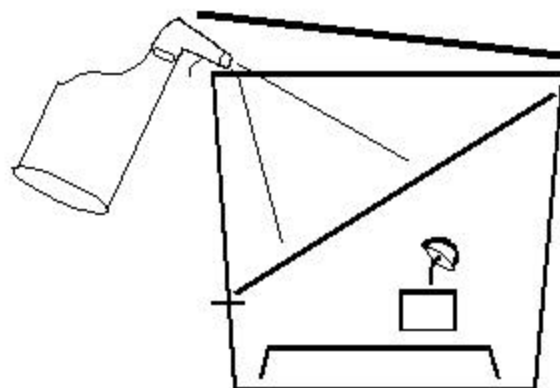
need to eliminate water from the bottom of the terrarium that has condensed and formed there.

Once a day, you need to remove the standing water from the bottom of the terrarium. You can use a turkey baster to suck the water out, or you can gently remove each cake and turn the terrarium up side down to drain the water out. If you remove the cakes, be very gentle. Any place you touch the cakes will not fruit. You should pick up the cakes in the same place every time.

Twice a day, the CO₂ that has accumulated in the chamber needs to be removed. One method is to remove the drip shield and fan the inside of the cooler with the cover for 10 or 15 seconds. Another method that works well is to have a hair dryer next to the cooler and use it. Simply lower it into the terrarium with the exhaust jet pointing up and out of the terrarium and turn it on. It will suck all the existing CO₂ out of the chamber. Be sure not to hit the rice cakes with the hot exhaust air. It will damage them. If your hair dryer has a 'cool' setting, use that instead of 'hot'.

In order to create humidity in the terrarium a spray bottle that is capable of generating a fine mist is used. There are a lot of different products for use in the kitchen that have an adjustable spray nozzle, but if you choose to recycle one of these, make sure it produces a very fine mist. What ever you use, make sure it is entirely clean of the original chemicals. Let's make this perfectly clear. Make sure the bottle is clean and does not contain anything that will damage the fungus. The safest thing to do is go to the hardware store and buy a high quality spray bottle. These typically produce a finer mist than most kitchen type spray bottles. The problem is that you would not be using a spray bottle if you had a little extra cash so we are telling you that you can use a kitchen spray bottle if you are careful. In order to create the necessary humid environment in the terrarium, the nozzle is slipped under the cover of the cooler and sprayed at the center of the top side of the drip shield. See the following diagram:

Hand Spraying the Terrarium



After spraying for 5 seconds, pull the spray nozzle out of the cooler and let the lid quickly close, sealing in the vapor. The small water drops will dramatically raise the humidity of the chamber. The rice cakes can not ever be sprayed directly. The mycelium is very fragile and doing that will damage it. The terrarium needs to be sprayed at least 4 times a day. More is better.

This setup and procedure will work and is very inexpensive, but that is the only good I have to say about it. You become a slave to your terrarium. If you miss a couple sessions, your fungus will most definitely suffer because of it. Also, you can only support a few growing mushrooms at a time using this procedure. The mushrooms pull a lot of humidity out of the air and this method doesn't provide much excess.

Method 2: Using a Fish Tank Bubbler.

The basic portion of this system was originally pioneered by Psylocybe Fanaticus There are several improvements and adaptations in this section that were not included in the original method. The idea is to create humidity by bubbling air through water. A small fish tank air pump and bubbling stone are used to accomplish this.

This method is inexpensive and allows the terrarium to exist without your constant attention. It's major limitation is that depending on how it is implemented, it can only raise the humidity by 15% over ambient. The minimum acceptable amount of humidity needed by the fungus is 85%. If ambient humidity is going to be less than 70% during the growing cycle, you will experience problems even with a fully optimized setup. If you have more than a few mushrooms growing, it is possible this system will fail to keep the humidity high enough. You still need to hand spray the terrarium occasionally to boost the humidity above what the bubbler can do. Several times a day is sufficient.

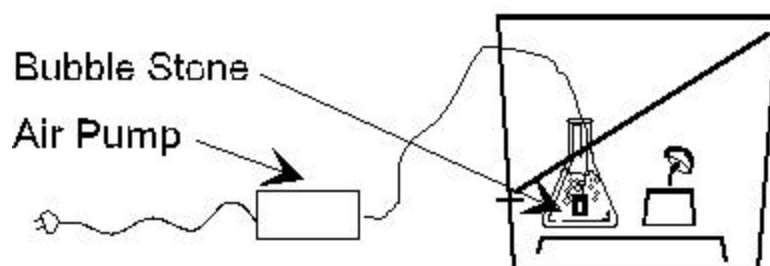
All of the materials needed can be obtained at any pet store or pet department in a department store.

Materials needed:

- suitable container for water
- Fish Tank Bubbler
- 3 feet of 1/4 inch air line for fish tanks
- bubbler stone
- optional submersible 50 watt fish tank heater [Adaptation-13](#)
- optional Angel Hair or plastic steel wool [Adaptation-14](#)

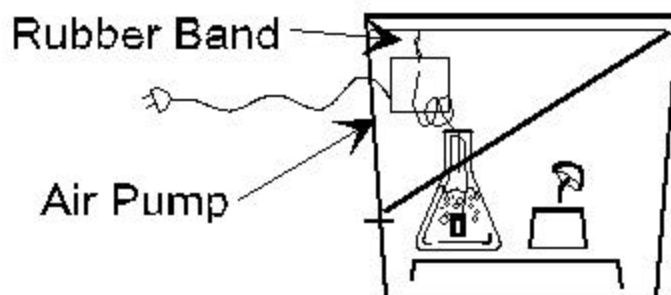
The basic strategy is to place a container of water inside the terrarium and slowly bubble air through the water. A hole should be cut in the drip shield to allow the container to stick up through it. The top of the container should be above the drip shield to protect the fungus from water droplets that will get produced. There are several ways the system can be implemented. If the air pump is setup outside the terrarium with just an air line going into the terrarium, the humidity will be raised less than 10% over ambient. The one benefit to this setup is the fact that air is constantly being exchanged and the home cultivator does not need to eliminate CO2 every day. A small hole can be put at the base of the terrarium to let CO2 and water escape. The hole should be just big enough that water does not bead up and plug the hole. A 3/8 inch hole will accomplish this nicely. Note that a small, snug hole needs to be drilled in the side of the cooler to allow the air line to get inside the cooler. You can not just loop it over the side of the cooler and slam the lid on it. You will not get enough humidity if the lid does not fit tightly. See the following diagram:

Use of air pump to add humidity



A second method to implement this strategy is to put the air pump inside the terrarium. This way the same air is constantly recirculated, constantly increasing its humidity. This can increase the humidity to close to 15% over ambient. This implementation has several disadvantages. First, the key to getting the higher humidity is recirculation of the same air over and over again. This means no hole can be placed at the bottom of the terrarium to allow water and CO₂ to escape. You will need to eliminate CO₂ at least once a day. The second disadvantage is the fact that the air pump generates some heat and can warm the terrarium by over 10 degrees F. This may or may not be acceptable. One point needs to be noted. The air pump will create some vibration. It is best to suspend the air pump from a rubber band to absorb this vibration. A stiff piece of coat hanger wire can be suspended from one side of the terrarium to the other and the air pump hung from it. Instead of the air tube going through the side of the terrarium, the power cord for the pump goes through the side. Also note that the positioning of the stiff wire to hold the air pump is not critical. It may be better to rotate it 90 degrees from what is shown in the following diagram so that it is easier to remove the drip shield when servicing the terrarium. Also, the power cord and air tube should have some slack in them so that are not being pulled on as the pump vibrates. The ideal scenario is to tie wrap them to the supporting wire. See the following diagram:

Use of air pump to add humidity



Method 3: Using an Ultra Sonic Humidifier.

This is the best method. It will free you from the tyranny of your terrarium. It will effortlessly produce enough humidity to support as many mushrooms as you can grow at once. This setup will automatically eliminate CO₂ buildup before it occurs. The only draw back is that ultra sonic humidifiers cost around \$40. A little more for a super nice one, a little less for a budget version. Just about any ultra sonic humidifier will work.

A steam humidifier is not easy to integrate into this terrarium setup. First, the vapor it emits is too hot and will kill the fungus. The second reason is they typically run full blast. They do not have a control to throttle them way back like the ultra sonic humidifiers do.

Materials needed:

- Ultra Sonic Humidifier
- 8 feet of 7/16 inch outer diameter, 5/16 inch inner diameter vinyl tube

- 1 dozen 3/8 inch inner diameter grommets
- 4 clear 2 liter coke bottles
- 3/8 inch, fine thread bolt
- tube of silicon glue
- pliers
- high granularity A/C timer. [Adaptation-21](#)

First, a small hole needs to be placed in the Basic Growing Chamber to let water and CO2 escape. It should be at the very bottom of the cooler. It needs to be big enough that water will not bead up and plug it. 1/2 to 3/4 of an inch is good.

This setup uses the ultra sonic humidifier to produce air that is close to 100% in humidity. The air flow out of the humidifier is limited by the fact that it has to travel through the 7/16 inch vinyl tubing. That is OK, because we want to limit the amount of air we feed into the terrarium. The humidifier will generate very humid air, but the air will also have many suspended water particles in it. Any time one of these water particles touches another water drop, they will merge. We don't want moisture forming on the rice cakes, so limiting the number of suspended water drops we allow into the terrarium is a big step towards this goal.

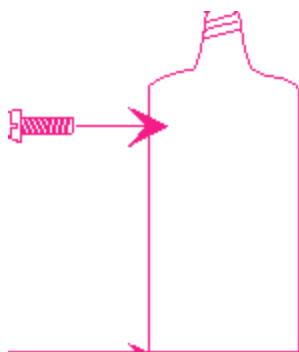
Even so, the air must be dried further. [Adaptation-21](#) The air is passed through several stages where it is allowed to swirl and condense. Each one of these stages is comprised of an empty 2 liter coke bottle or some other suitable container. These stages are connected together using the 7/16 inch vinyl tubing.

Every time a piece of vinyl tubing is used, it needs to be fluted. This means it is not cut off square, but rather at a very sharp angle. This is necessary to help moisture that condenses inside the line to drip out once it reaches the end of the line. Otherwise, it will form a big drop and eventually plug up the line. At that point you have no humidity entering the terrarium.

Drill a 7/16 inch hole in the center of the exhaust lid for the humidifier. Insert a grommet. Apply a bead of silicon glue to the slit through which vapor normally exits. You want to plug this slit up. The only exit for vapor should be through a piece of vinyl tubing that will be placed inside this grommet.

Remove the labels on the coke bottles. Any large plastic container can be used but the 2 liter coke bottles are real nice because they allow you to see inside. This is useful to determine if the terrarium is running correctly later. Also, you will be able to see if moisture that has collected in the bottle needs to be emptied out of it.

Heat up the threads on the 3/8 inch bolt using a propane torch or burner on a gas stove. A cigarette lighter will work, but it will take a long time. Hold onto the bolt with the pliers. When the bolt is hot, quickly and neatly poke two holes in each 2 liter coke bottle. [Adaptation-15](#) See the following diagram for details:

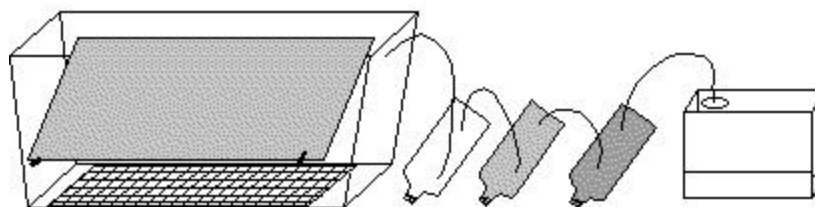




The bolt that is used is deliberately a little smaller than the hole that needs to be generated. The hot bolt will melt the hole a little bit bigger than it is when it pokes through the plastic bottle. You may need to insert the bolt a second time into the hole and let it touch the sides to expand the diameter of the hole. Some times little chunks of plastic stick to the side of the hole. Use a sharp knife to clean up the edges and insert a grommet. Check the fit of the vinyl tubing through the grommet. It should be very snug and air tight, but it should not collapse the inner diameter of the tubing very much.

Connect a piece of tubing from the humidifier to the first coke bottle. Flute both ends of each piece of vinyl tubing. Connect the this coke bottle to the next. Do this until you have all four coke bottles connected. The picture shows 3 coke bottles because that is what is normally required, but for now connect in all 4. Now connect the last coke bottle to the terrarium. You will need to poke a hole in the side and insert the tubing. The tubing should be blowing humid air into the part of the terrarium that is above the drip shield. It should be setup as follows:

Ultra Sonic Humidifier Setup



Checking out the Ultra Sonic Humidifier Setup:

Fill the humidifier with water and position the various stages of the coke bottles between the humidifier and terrarium. At no place should the vinyl tubing have a low spot for condensation to form and plug up the line. Condensation will form in the lines but it should run to the end and drip harmlessly out of the line.

Set the humidity level at the minimum setting. This is still more than you should need. [Adaptation-19](#) After you give it time to stabilize, you should see that each stage of the coke bottles has less fog in it than the preceding stage. Usually, 3 bottles is the right amount, but depending on your humidifier and ambient humidity, it could be more or less. You want the last coke bottle to just have the slightest hint of fog in it. Add or delete stages as necessary.

The humidity in the terrarium should stabilize at about 90%. The ideal amount of humidity is as much as you can get without moisture forming on the rice cakes. Keep in mind that most humidity meters you get at department stores are not very accurate.

[Back to table of contents.](#)

The Growing Cycle.

This section is relatively short considering its topic. That is because when you get to this point you are only needed to make sure the fungus has the right conditions to thrive.

Once you place a fully colonized rice cake in the terrarium it just needs several things to grow mushrooms. It needs high humidity, temperatures below 90 degrees F. and a little light. Once the mycelium network has gained access to enough nutrients the cake can initiate mushrooms if conditions are right. The initiation of mushrooms requires some light and temperatures in the mid to upper 70's F. The mushrooms can grow at higher temperatures, and in fact grow faster at higher temperatures. But the fact remains that the temperature range is fairly narrow to start new mushrooms. Normally, it takes about a week for pin heads to form if the rice cake was removed from the culture jar as soon as it was 100% colonized. It can happen after just a couple days if the network is well established, or it can take several weeks if things aren't just perfect for the cake.

If you keep the terrarium's temperature in the mid to upper 70's F. you will be constantly initiating new mushrooms (pin heads) while providing a good environment for the growing mushrooms to mature. This is the simplest way to grow if you can arrange for this to be the case. [Adaptation-16](#) If you deviate outside of this temperature range, you will still get a few mushrooms, but the fungus will initiate new pin heads only occasionally. You will spend a lot of time waiting for a mushroom to form.

The rice cakes will have a very bright white appearance when they are first placed in the terrarium. Soon, they will be coated with a layer of fluffy mycelium. When pin heads form, they will look like a short section of a common pin. Hence, the name. The end of these pin heads will soon grow dark brown. This is the cap beginning to form. When the rice cakes are fresh, the small mushrooms will start adding bulk rather than grow longer. They will form balls the size of a marble. Then, they will start to thin out and grow long, adding bulk the whole time.

You should avoid the temptation to grow the mushrooms as large as possible. Significantly more psilocybin is produced during the early periods of growth. By letting the mushroom grow too large you are simply consuming nutrients and moisture from the rice cake for no purpose. Also, the mushrooms taste increasingly bad as they get larger. Lastly, the mycelium network in the cake can only provide so much in the way of nutrients and water to maturing mushrooms. If you let the mushrooms grow too big, they will hurt the development of other mushrooms on the cake. The mushrooms should be picked just as the cap is starting to tear away from the stalk.

As the cakes get older, they will produce less and less and it will be more difficult for the mushrooms to grow. [Adaptation-17](#) This is a result of the moisture in the cake being consumed by the earlier mushrooms. You will eventually see mushrooms form and start to grow but never bulk up during the initial phase of development. These mushrooms will seldom get big enough to develop caps. You can harvest these mushrooms but it is an indication that the rice cake is about exhausted.

[Back to table of contents.](#)

Drying and Preservation

of the Mushrooms

Once you have grown and harvested some mushrooms, you need to think about preserving them. They will only keep for a short time in their fresh state. Sometimes a single mushroom needs to be harvested and it isn't enough for a dose. Other times, too many mushrooms will be fully grown for a single dose. Either way, you will be in a situation where you want to preserve them for later. And, even if this didn't happen, you may find yourself in a situation where you simply don't have the time or inclination to trip. The good news is that if they are dried correctly, nearly all of the psycho-active compounds can be preserved for many months.

There are several ways to dry them, but we will only cover the best way. What ever you do, don't use heat to dry them. Heat is very harmful to the psycho-active compounds. You will drastically reduce the mushroom's potency if you use heat to dry them.

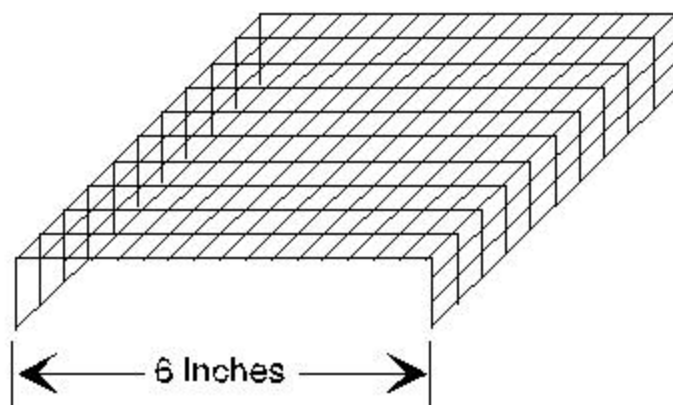
Materials needed:

- 1/4 inch wire mesh
- carton of Damp-Rid or Damp-be-Gone (Anhydrous calcium chloride)
- Large, freezer size zip-lock bag

Several pounds of calcium chloride can be purchased for a couple of dollars at any large building supply outlet. It will usually be found in the paint department because it is used to dry the air in musty closets before painting and things like that. If possible, get the bulk refill containers. It will be cheaper than the calcium chloride that comes with the units to hold it and the moisture pulled from the air. You won't be using the unit, so don't buy it unless you have to.

Bend a section of the 1/4 inch wire mesh to look like the following illustration. A 7 or 8 inch square piece is a good size to try first. This piece of mesh is going to be used to hold the fresh mushrooms up and away from the anhydrous calcium chloride.

Wire Screen for Drying Mushrooms



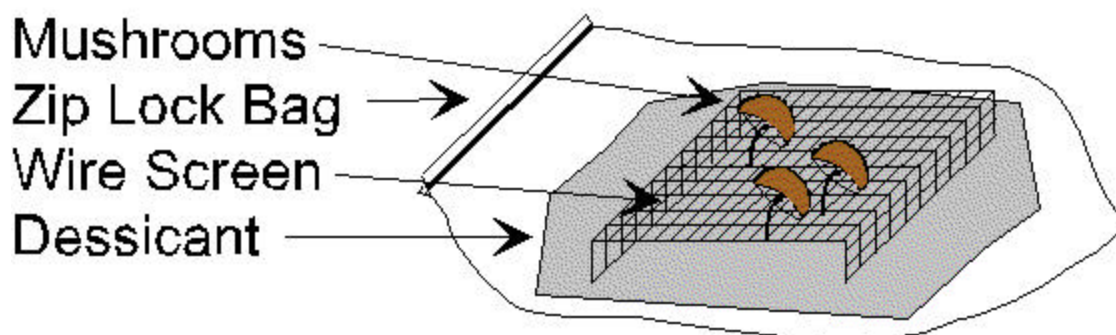
If your freezer bag is big enough, put the entire contents of the calcium chloride container in it. Be careful not to let the desiccant come in contact with the top surface of the bag. When you are using the drying system, it is possible for mushrooms to touch the upper side of the bag and you don't want any residue from the desiccant there. Lay the bag on its side and smooth out the contents. Place the wire mesh screen

on top of the desiccant in the bag.

Typically, the screen will have sharp edges along each side where it was cut from the stock. Each wire in the mesh will have a sharp edge. Be careful not to let these sharp edges poke a hole in the bag. Make sure the calcium chloride is not touching the bottom of the screen. There should be an air gap between the top of the desiccant and the bottom of the screen. You do not want your mushrooms to touch the calcium chloride while they are drying because some of it will dissolve into the mushroom if this happens.

That is the entire preparation for preserving your mushrooms with minimal loss of potency. In order to dry your mushrooms, simply harvest them and place them on the wire screen. Close the zip-lock bag so it is air tight. The mushrooms will shrink and shrivel over the next couple of days. After about three days, they will be fairly hard and contain very little moisture. If you are not pushed for space inside the bag, you may as well leave them in the bag for five or six days to thoroughly dry them.

Setup For Drying Mushrooms



After the mushrooms have been in the bag for three days, they can be moved to another zip-lock bag for long term storage. Remember that the dryer the mushrooms are, the longer they will keep. [Adaptation-18](#)

The reason this system works so well to dry the mushrooms is the calcium chloride is a good desiccant. It has a very strong affinity for moisture and can pull almost all the moisture out of the air. Eventually however, liquid will start to collect in the bottom of the bag. Mushrooms are 92% water by weight. This moisture has to go somewhere when the mushrooms are dried, and it will eventually find its way to the bottom of the bag.

You have several choices when moisture starts to collect in the bag. You can simply drain it out and continue to use the old desiccant. It will work, but you should be careful not to contaminate the upper side of the bag or the screen with residue from the desiccant. You do not want your mushrooms to touch the residue. For one thing, it tastes terrible, but in addition to this, the mushrooms will not dry completely. The residue will attract moisture. If the bag gets contaminated and you still want to use the old desiccant, try to pour it into a new bag without letting it touch the top side of the bag. Rinse the screen and place it in the bag.

Another option is to simply throw it out and set up a new bag with fresh desiccant. Lastly, you can dry the

desiccant in the oven and reuse it, but if it gets too hot it will melt into a big brick and loses much of its surface area. This will limit its effectiveness. If you choose to dry it in the oven, try 225 degrees Fahrenheit for an hour. Also, you must keep the desiccant sealed in an air tight container while it is cooling or it will absorb a fair amount of moisture from the air before you put it in a new zip-lock bag.

[Back to table of contents.](#)

Dosage and Various.

Ways to Ingest.

First, we need to make sure some thing is understood. Before you dose, you need to be some one that likes your self and feels pretty secure about your self. You should not have any major troubles in your life. If this does not describe you, don't dose! Go find some other drug to play with.

OK, you've decided that your going to dose. After all, why did you grow these little devils if you weren't going to trip? The most important question to answer is how hard do you want to trip? If a 170 pound person had never done alcohol before, this is the advise I would give him. Dosage could be anywhere from 1 beer to 12 beers. 1 beer is just enough that you might feel something, but everything will be pretty normal. 4 beers is enough you will have a strong sensation of what alcohol does, but you will be in complete control. At 6 beers, you will start to be drunk. At 12 beers, your pig drunk and may pass out. I would recommend 4 beers the first time out. This would give you a good feeling for what alcohol is about, but still keep you out of trouble.

These mushrooms will be fairly consistent in potency. They are all grown on the same medium under the same circumstances. If you take 4 average P. cubensis mushrooms, that will put you at the same relative spot on the spectrum as 4 beers. But remember that psilocybin is more powerful than alcohol. What you experience will be more intense than 4 beers. However, on the spectrum of what is possible, you will still be on the low side. What are average size mushrooms? Mushrooms are like snowflakes. No two are the same. I would call a mushroom that has a stalk 3 inches long and a cap 1 inch in diameter average.

Drying the mushrooms as described in this document will have minimal impact on their potency. Many sources claim that dried mushrooms are significantly less potent than fresh ones. If you use the method to dry the mushrooms described in this document, you'll find that claim is not true. It's your choice whether to eat them fresh or in their dry state. Some people have strong feelings one way or the other because of their taste. Most people agree that these mushrooms will never win any culinary awards. Try some each way. Find out if one way or the other is better for you.

Some people find that these mushrooms cause some nausea. AN165023@anon.penet.fi suggests the use of digestive aids available over the counter at any pharmacy. This will make consumption of the mushrooms a lot easier on you if you are susceptible to nausea. Also note, that most people should avoid consumption of alcohol while using these mushrooms. When the mushrooms are mixed with alcohol, even people with cast iron stomachs can loose it.

If you find the taste of these mushrooms particularly distasteful, you can always bury them in a burrito or peanut butter sandwich. If you do this, it will slow the onset of the effects some what. Some people just chew them up and wash them down with orange juice.

Some people dislike the taste so much, they are willing to go to extraordinary measures to disguise the taste. Several popular recipes follow. With the exception of the first recipe, these recipes all suffer from a common problem. They use heat. Heat will cause some of the psilocybin to break down and as a result you will need to use more mushrooms for the same effect than if you had ingested them directly. This fact in and of itself is not too big of a deal. After all, you can grow as many mushrooms as you need. A 25% to 50% loss of efficiency is not ideal, but it may be worth it to some people in order to avoid the nasty taste of these mushrooms. The real problem is it is impossible to predict how strong the effect is going to be. It depends on how hot you heat them when you do the preparation and how long they are hot. Use caution!

Mushroom Juice

Put several spoonfuls of frozen juice concentrate into a blender. Dole's Orange-Pineapple-Banana works especially well but regular Orange Juice or Lemon Aid will work. Add a bit of water, but keep the resulting juice on the strong side. Throw in a few ice cubes and your shrooms (fresh or dry) and whiz on high for a minute or so. Let it sit for a few minutes after you turn off the blender, then drink.

A 500 mg vitamin C capsule can be added and will make the juice more tart which is beneficial in masking the mushroom taste.

Mushroom Tea

Take the fresh mushrooms (6-7 per person depending on size of caps) and cut the caps and stems into very small pieces. Place mushroom pieces into medium sized pot 3/4 filled with water. Boil the water along with the mushrooms. Boil for ten minutes. Remove from the heat and let cool for 10 more minutes. Strain mushrooms with a coffee filter, or paper towel. At this point, if you truly desire tea, a mint flavored version works well. Otherwise, kool-aid is an option. Grape kool-aid mixed stronger than usual will definitely cover the taste. Serve with ice to chill the kool-aid to the desired temperature.

Mushroom Soup

Using Ramen Pride or any other dried noodle soup, follow directions on package, except put cut and cleaned mushroom pieces in the broth. Prepare as usual. If the mushroom pieces are small they are relatively unnoticeable.

Mushroom Pizza

Cook your favorite frozen pizza according to directions. Several minutes before the pizza is done cooking, add finely sliced fresh mushroom pieces to the pizza. Optionally, you can add some grated cheese on top of the newly added mushroom pieces. Adding cheese will help encapsulate the mushroom pieces and dramatically help mask the taste. Place pizza back in oven and cook until done.

One final note. If you ever find that you have dosed too heavily, just remember that 90 minutes after ingestion will be the peak experience. Things will start to settle down after that. The good news is that

medically you can't overdose on psilocybin. If you remember these things, and believe them, they can help ease you through a high dose experience.

[Back to table of contents.](#)

How to Get a Spore Syringe.

This section is ordered for some one just starting off in the home cultivating experience. Once you have grown a crop, this section is ordered backwards for your needs. The intent is to get you started easily. In order to grow subsequent generations of fungus you need to generate a spore print and use this to create a spore syringe. This information is at the tail end of this section.

In order to use the process detailed in this document, you need a sterile, viable spore syringe. The spores should be *Psilocybe Cubensis* spores. Preferably, they should be of the Amazonian strain. The Amazonian strain has wider parameters for fruiting and is more tolerant of mistakes. However, any *Psilocybe Cubensis* strain will work. There are several ways to get started. The easiest way to get started is to order a spore syringe but alternatively, you could obtain a spore print and use that to prepare a spore syringe.

Once you have grown some mushrooms, it is worth while to learn how to generate your own spore prints so that you can produce spore syringes when ever you need one. Currently, you don't have to do this if you choose not to because the spores are still readily available from mail order suppliers. Many people believe the day is coming when this will not be true. Many of the sources of psilocybe spores have quit selling to the public and others have destroyed their cultures because of mandates given by the DEA. If you have a sterile, viable spore print, you can eliminate your dependence on these suppliers.

Sources for a Spore Syringe

Currently the most cost effective place for a United States resident to order a spore syringe is from the company that pioneered many of the concepts in this document. They have a very fast turn around time and are very reliable. Their spore syringes are \$10.00 (US) and that includes shipping. They are very high quality. They currently supply *P. cubensis* Matias Romero. This is a substrain of the Amazonian strain.

If you are outside the United States, there is a \$10.00 shipping charge. All their packages are shipped in a discrete manner. However, be aware that outside the US, a customs sticker with the description "mushroom spores in blunt-tipped pipette" is stuck on the box.

If you wish to minimize the paper trail, you can send cash to Psylocybe Fanaticus. They are totally reliable and you will get what you order. Psylocybe Fanaticus advertises that they do not keep customer files and by sending cash, you can distance your self from any records of the transaction.

If you learned about *Psilocybe Fanaticus* here on the Web, please mention it when you order. Currently, *Psilocybe Fanaticus* doesn't believe much business comes their way because of the net. We would like for that to change.

Psilocybe Fanaticus
1202 E. Pike #783
Seattle, Wa. 98122

In Canada there is a company called Hemp Nation. They are reliable and ship promptly. They sell suitable spore syringes (*Psilocybe cubensis* Amazonian strain) for \$30 Canadian. Since U.S. currency is worth slightly more than Canadian there is no problem sending U.S. currency. There is a \$5.00 shipping charge within North America. I used to say the main reason you would want to order from this company is they are in Canada. If you're in Canada, your order will not have to go through customs. There is another reason you might want to order from this supplier. This company is the focus of a [Constitutional Challenge](#) to legalize hemp in Canada. The profits from your purchase will assist this.

Hemp Nation Headquarters
183 King Street, Suite 115
London, Ontario
Canada N6A 1C9
Phone/fax (519) 433-5267
E-mail: cclay@icis.on.ca
Hemp Nation Headquarters

Also in Canada, there is a company called Hemp-BC. They are reliable and ship promptly. They sell suitable spore syringes for \$30 Canadian. U.S. currency is accepted. There is a \$5.00 shipping charge within North America. If you're in Canada, your order will not have to go through customs.

Hemp BC
324 West Hastings, Vancouver BC
ph (604) 681-4620
fax (604) 681-4604

On the net they have a site: WWW.HEMPBC.COM

- [Spore Syringe from Hemp-BC.](#)
 - [Order Information](#)
-

Sources for Spore Prints

In the event you wish to start with a spore print instead of a spore syringe, this section provides a few places you can obtain suitable spore prints. In general, the first time grower really ought to start with a spore syringe because it eliminates many of the sterility issues. The one benefit to starting with a spore print is you can make close to fifty 10 cc. spore syringes from a single spore print. However, this is really a moot point. Once you have grown a crop of mushrooms, you can generate as many spore prints as you want. One spore syringe is guaranteed to produce a crop if you follow the directions in this guide.

Mostly, this section is included just for completeness. In the event you can not obtain a spore syringe for some reason, you can get a spore print and use that to make a spore syringe.

The following information was pilfered from the mushroom FAQ on Hyper-Real.

Homestead Books P.O. Box 31608 Seattle, WA 98103	P. cubensis spores (\$25), kits (\$70), and books/videos about growing. (Phone: +1-206-782-4532)
Pacific Exotic Spora P.O. box 11611 Honolulu, HI 96828	Panaeolus cyanescens and Coplandia cyanescens spores. Very expensive, \$40-\$75.
The Shroom King P.O. Box 17444 Seattle, WA 98107	Str. cubensis print and a book for \$25, above above plus compost and agar for \$35. (Phone: +1-206-784-9328)
SYZYGY P.O. Box 619 Honaunau, HI 96726	\$15 + \$1 (S&H) for a Str. cubensis print on a slide.
J.L.F. P.O. Box 184-SC Elizabethtown, IN 47232	Supposedly sells some rare species ready to and lotsa weird stuff. Free catalog. (Phone: +1-812-379-2508)

How to Make a Spore Syringe

Sterility is key. If your spore print is contaminated or you introduce contamination into the spore syringe, you will have difficulty later in the process. Ideally, there should be no fans blowing or drafts of air. You should clean the area where you will be working carefully and make sure that everything is tidy.

Materials needed:

- spore print
- 10 cc. syringe with long needle
- distilled water
- shot glass
- regular glass
- cigarette lighter

- sharp table knife
- microwave oven

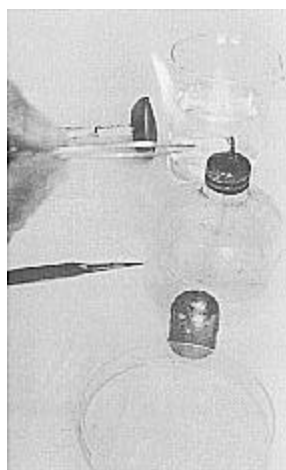
Fill the shot glass with distilled water and place it in the microwave oven. Turn on the oven and let the water boil for a few minutes. Fill the syringe with the hot water. Eject the hot water and repeat several times. This will insure the inside of the syringe and the needle is sterile. This is especially important if you are using a syringe from a previous crop. When the needle is inserted into the substrate, it is possible to get nutrients up inside the needle and for contamination to grow.

Make certain that nothing touches the needle of the syringe. Empty the excess water out of the shot glass and place the other glass over the shot glass. This will keep air born contaminants from getting in the shot glass while you wait for the water in the spore syringe to cool.

The Psilocybe mushroom spores will be killed if they come in contact with anything too hot. You need to wait until the shot glass and spore syringe are room temperature. When it is safe to proceed, use the cigarette lighter to flame sterilize the sharp table knife. Let the blade of the knife cool, but make sure it does not touch anything. When it is cool, carefully open the spore print and scrape a fleck of spores into the shot glass. A fleck 1/4 inch by 1/4 inch is more than sufficient for a 10 cc. spore syringe. Purge the water out of the syringe into the shot glass. Pull the water back into the syringe, being sure to suck the spores in also. Do this once or twice more to make sure the spores are well mixed in the spore syringe. Often, it takes several tries to get the spores broken apart and well mixed.

If the spores in the print have been dried and are not fresh, you should wait six hours to use the spore syringe. The spores need to rehydrate.

How to Make a Spore Print

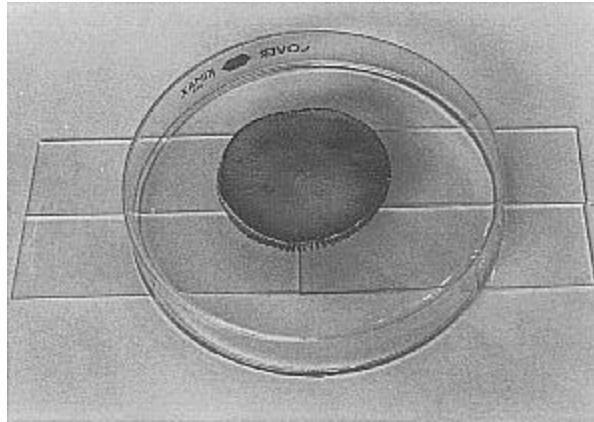


Once you have a mature mushroom, you are in a position to make a spore print and use it to continue cultivation of mushrooms. Depending on the growing conditions of the mushrooms, the timing of when to harvest the mushroom cap varies. For most environments, you want to harvest the cap when it is flat or starting to invert. If you have a particularly humid growing environment, it may work better to harvest a young, bulky cap just after the veil underneath the cap rips. If one method does not work for you, try the other. It is likely that it will take you several tries to convince the cap to drop its spores and be successful.

Sterility is key. Be careful not to do anything that will compromise the sterility of your spore print. The typical procedure is to cut the stalk off of a mature mushroom very close to the cap. A sterilized knife or razor blade is used to do this. The cap is then laid on a sterile piece of tissue paper or card stock and a small glass set over it. The glass keeps the humidity in and contaminants out. If everything goes well, after a day or two the cap will drop its spores. There will be a purple-brown dust underneath the cap. These are the spores. Eye glass lens paper is good source of sterile tissue paper. A box of waxy tissue paper that deli's use to pick up donuts and rolls is



another excellent source of sterile tissue paper. Card stock (such as a recipe card) is a bit easier to use later when you want to prepare a spore syringe, but you have to expend the extra effort up front to sterilize it. To use card stock, place in a 425 degree F. oven for 15 minutes. Let it cool with a glass over it before you place the cap on it.



Once you have a spore print on the paper, remove the glass and cap. Fold the spore print in half and seal the edges so air can not get in. A piece of scotch tape on each side will do nicely. The spores will stay viable for 18 months if they are kept in a cool, dry and dark spot. If you place a small amount of desiccant in the bottom of a film container and place a cotton ball on top of the desiccant, you have an ideal container to keep the spore print. The cotton ball will keep the desiccant from touching the spore print. Seal the spore print in the canister and place the canister in your refrigerator until you are ready to use it.

Note that if you want to be self sufficient, it is a good idea to have multiple spore prints and store them separately. You just never know when you are going to be surprised with a massive contamination problem or thermal death. The safest thing to do is have a couple viable spore prints so it is easier to recover from disaster.

Combination of Spore Print and Preparation of Inoculant

This excellent idea is from: AN165023@anon.penet.fi

If it is your intent to use a mushroom to immediately generate inoculant for a successive crop, you can eliminate some of the above steps and reduce the risk of contamination.

Poke a small nail hole in the cap of a wide mouth jar. Cover the nail hole with a piece of electrical tape. A 1/2 pint canning jar similar to that used for the cultures is fine. Sterilize both the jar and the lid.

Place the harvested cap in the sterilized, wide mouth jar. Seal the top with the lid and wait until a spore print has been generated on the bottom of the glass. Open the jar and remove the mushroom cap. Add 3/4 cup of sterilized water. Seal the top of the jar with the lid and shake the jar. The spores need to be mixed well into the water. This procedure eliminates the need to transfer spores from a print to some container to make the solution. The spore print is generated inside the container and the only extra step is adding water. It also has the benefit of making a large amount of solution that is easy to use.

Now, any time you need inoculant, you can shake the jar and peel the tape back to expose the nail hole in the lid. Simply insert the needle of the syringe into the inoculant and pull some into the syringe. The syringe needs to be sterile or you risk contaminating the entire jar of solution. The solution will keep longer if you refrigerate it. You still should keep some spore prints on paper because it is possible to contaminate the entire jar of inoculant if you make a mistake.

[Back to table of contents.](#)

The Author's First Trip

OK, some of you experienced druggies are going to get a chuckle from this. This is a description of my first trip. I grew up in a real conservative environment. I always wanted to hallucinate but I was real scared of LSD. After all, it causes chromosome damage and a lot of the people that trip on it either jump out of windows or end up in a permanent psychosis. Some of the lucky ones that make it through the trip ok suffer from uncontrollable flash backs for the rest of their life. Pretty scary stuff.

I never was around people that used psychedelics much. The few times I had the opportunity, I was unable to find out enough about the source and quality to put my ignorant self at ease. It seemed like I was never going to get to have a psychedelic experience.

Well, I was surfing the net one day and decided to test the reach of information contained on it. I was trying one exotic topic after another in Yahoo. I was amazed at the knowledge contained on the net. I decided to push it to the limit. I asked about psilocybin. To my amazement, a few indexes to documents came back. I quickly down loaded them and started studying them. I was astonished to find out that the spores for Psilocybe mushrooms could be mail ordered because the spores did not contain any controlled substances. And best of all, there was no overdose for psilocybin.

It doesn't take a rocket scientist to figure out what I was thinking! The net contained bits and pieces of information. I was able to learn some of the basic concepts for growing shrooms but there was a lot of uncertainty and contradictions in the information I had. I kept increasing the depths of my searches on the topics. It eventually became obvious that my best chance of success lay with Psylocybe Fanaticus' method. I promptly ordered their Tek Notes and a spore syringe.

I followed their directions and had cultures well under way soon enough. But, I was frustrated with their humidification techniques. They did not work for me even though I experimented like crazy. My job involves doing research and development at a high tech. computer company. I was determined to solve the problem and make it easy for others with access to the net to succeed. I found a few people on the alt.drugs news group that had vast mushroom growing experience and they helped me with advice that got me over some of my initial problems.

I was going home in a few months on vacation to visit old buddies. I told them I thought I was going to be able to bring some shrooms so we could all trip together. They freaked with joy. I have a basic personality flaw. Anything worth doing, is worth doing to excess. I didn't know how many shrooms I would need so I figured I had better grow a couple pounds. I worked out the problems I was having and simultaneously ramped production. I had a couple pounds of dried mushrooms by the time I headed north on vacation.

We were at a friends cabin on the lake when the time was right. I broke out my stash of shrooms as we prepared to go out on the lake fishing. Of course I offered some advice about what I thought was a reasonable first dose, but then I made the mistake of trying to comfort them with the information that it was impossible to overdose on psilocybe mushrooms. My friends have my same basic personality flaw

about doing things to excess as I do, except worse. The closest I can figure, I ate about an eighth of a cup of crushed, dried shrooms and they all ate about twice that. My first dose was significantly higher than the Dosage section of this document recommends. Just because I got away with it, doesn't make it a smart thing to do!

Being the scientific type, I grabbed my cam corder just in case we needed to document anything and we headed to the boat to go fishing. The first 25 minutes seemed pretty normal, but then I started to feel myself coming on. I had done enough research to know that the peak experience was a good hour away. I kept fishing. Soon I had to put down my fishing pole and just watch my buddies. I just had way too much stuff going on to be holding my fishing pole.

I had heard that the most basic visual experience was how colors became vibrant while tripping. I kept looking for this, but never noticed it. I was wondering if we dosed high enough or if I had gone to all the trouble to grow these damn things and eat those awful tasting shrooms for nothing. I started to feel a little down. I just stared at the seat where one of my buddies was sitting.

Suddenly the seat was alive. I became mesmerize by how the grain in the wood seats of the boat would not stay still. Every time I looked at the seat, it would ebb and flow. Too cool! The surface of the water was even more intense. The patterns formed by the little ripples and waves were unbelievable. I was frying big time. Even though my buddies dosed way higher than me, they seemed unaffected. They just kept fishing and cracking jokes. I was still 30 minutes from peak.

I was looking across the lake at the far shore. There were lots of clouds blowing across the sky. I was enjoying just watching them. Then it happened. It became obvious to me which clouds were going to break apart into little clouds and which little clouds were going to combine to make bigger clouds. I spent a lot of time trying to figure out if I was just imagining this ability or if I could really do it. I just kept watching the far shore. Eventually my buddies noticed my fascination with the far shore and I became the focus of their jokes. They still didn't seem like they were tripping. I told them about my new found ability. That only encouraged them to make more jokes. I challenged them to predict which clouds were going to break apart and which ones would combine. They admitted that would be impossible. When I told them I thought I could do it, the jokes really started.

Naturally, I had to prove I wasn't making up this ability. I started pointing and telling my buddies which clouds were going to do what. They were real skeptical at first, but finally I convinced them. One of them realized that we ought to get this on the cam corder tape or nobody would believe this had happened. It was a little work to get the cam cord setup because we were so fucked up, but I got about 5 minutes of this on tape. This was real valuable in making me a believer that psychedelics really can expand your mind and give you insight that you never had before.

Later that day, everybody commented on how they thought they were the only one affected by the shrooms. We were all having a good time, but nobody recognized that the others were tripping hard. I was only at 1/2 the dose my buddies were at, so it's not too hard for me to believe they were really looped.

The next day, everybody wanted to trip again. I gave them some advice. I told them that a person's tolerance builds quickly to psilocybin and that they would have to dose significantly higher to get the same effect. Interestingly enough, they all thought they wanted a little less of an experience. The first trip had tired everybody emotionally and intellectually. Strangely enough, that day, straight or tripping, I was unable to repeat my cloud predictions. It seems to have been a one time experience. Yet, I know and have proof I was able to do it that one time. It turns out the real life value of being able to predict cloud

behavior is pretty small, but the important point is that psychedelics can give you insight you would not have had otherwise.

When we got back to town, all my buddies wanted me to teach them how to grow shrooms. My buddies are not very scientifically minded people. I have been trying to get them to use computers and get on the net for a long time with no success. I did not think I could just explain the steps and have much probability of them succeeding. I thought about this problem for a little while. I wanted to write a comprehensive guide for the people on the net and I wanted to get my buddies on the net. I could kill two birds with one stone. I told them that if they figured out how to get on the net, I would have a simple guide there for them to follow.

[Back to table of contents.](#)

What is Vermiculite?

Well, it turns out a lot of people are asking this question. In fact, I didn't know what it was until I bought some to prepare a few culture jars. That is why this description has been added to the guide. We want people to understand everything and be comfortable with the process.

The good news is that vermiculite is cheap and readily available. Vermiculite is made from ground up mica. It is normally used as an additive to potting soil to make the soil hold moisture and allow roots to easily penetrate through the soil. The easiest place to get it is a well stocked Garden Center at a local department store. If they sell several different kinds of potting soil and fertilizer, they will probably sell vermiculite. If they don't, be a little persistent and get some one that knows what the stuff is and ask where you can get it.

Prices vary dramatically, but a big bag of it with several cubic feet of vermiculite usually runs less than \$10.00. Much smaller bags are available and sell for several dollars.

[Back to preparing the substrate.](#)

[Back to table of contents.](#)

Adaptation-1: Use of Big Substrate Jars.



Normally, 1/2 pint canning jars are used to prepare the rice cake cultures. It is possible to use 1 pint canning jars instead. In fact, in some parts of the country you may have a difficult time finding the 1/2 pint size.

Advantage:

The main benefit to using the larger 1 pint size is that more substrate can be growing mushrooms in your terrarium. The terrariums described in this report typically will hold 6 or 8 cakes. If you want more substrate growing mushrooms, one way to accomplish the goal is to use bigger cakes.

Disadvantages:

There are several disadvantages to using bigger cakes. First, it takes several weeks longer for the fungus to colonize the entire cake. Another disadvantage is that if you suffer from contamination, you will be throwing out more substrate material. Lastly, you need to make sure when you construct your terrarium that you leave a few more inches of space under the drip shield for the cakes to reside. Since they are taller, they will require the drip shield to be placed higher.

You may notice mushrooms trying to grow inside the jar before the substrate is 100% colonized. This is not ideal because you are using up moisture in the cake for something that you won't consume, but it is a fact of life using the 1 pint jars. It is normal.

[Back to preparation and colonization of substrate.](#)

[Back to table of contents.](#)

Adaptation-2: Use of a Pressure Cooker to Sterilize.



Normally, most people will elect to use a large kitchen pot to sterilize the culture jars. A pressure cooker can be used instead. Instead of letting the substrate jars sit in boiling water for 1 hour, you can place them in a pressure cooker set to 10 or 12 P.S.I for 20 minutes.

Advantage:

If you use a pressure cooker, you can sterilize the jars quicker and with more certainty.

Disadvantages:

Pressure cookers cost money. If you already have one, there is no disadvantage. You may as well use it!

[Back to preparation and colonization of substrate.](#)

[Back to table of contents.](#)

Adaptation-3: Tight Packing of Substrate to Slow

Colonization.

You can slow the colonization of a jar dramatically by simply packing the substrate material very tightly in the culture jars.

Advantage:

Normally, people want the substrate to colonize as quickly as possible. In the case where more culture jars are being prepared than can fit in the terrarium, it is good to space out the colonization of the jars so that some of the early rice cakes are consumed and spent before the last jars in the batch are ready to be placed in the terrarium. This technique allows you to space out the colonization of your jars so you can prepare more of them at one time and harvest them later than usual.

If you are doing twice as many jars as will fit in your terrarium, pack half of the jars very tightly.

Disadvantages:

The substrate material will compress a little bit when packed tighter. You may have to mix up a little extra substrate material to fill the tightly packed jars to the proper level.

[Back to preparation and colonization of substrate.](#)

[Back to table of contents.](#)

Adaptation-4: Injection at Only 1 Site

You can inject only one site instead of the usual four sites in the culture jar.

Advantage:

There are two advantages to doing this. First, you use significantly less inoculate. Generally it is not worth while for this reason. The inoculate is not very expensive if you purchase spore syringes. It is virtually free if you prepare your own spore syringes.

The main reason why this is sometimes worth while has to do with contamination. By far, the most likely spot for contamination to enter the culture jar is at the site of the inoculation. If you have a spore syringe that may not be entirely free of contamination, you can increase your probability of keeping the culture free of contamination by only inoculating one site. Note that commercial spore syringes are typically very sterile. If you do nothing to change this fact, it is best to inoculate at four sites in the culture jar.

In order to illustrate the point, assume that the spore syringe has slightly 'dirty' contents but is still viable. Assume any given injection site has a 50% chance of becoming contaminated. If you inject only one site,

the culture has a 50% chance of becoming contaminated. If you inject four sites, the culture has a

$$.5 * .5 * .5 * .5 = 6\%$$

of NOT becoming contaminated. If you do everything right, this technique to increase your probability of producing a contamination free culture should not be necessary. However, many people have problems generating sterile spore prints at the start of their cultivating experience and this will help those people continue to generate cultures until they get enough experience. The first time you use a spore syringe that you prepared yourself, you may want to inoculate half of your jars the normal way, and the other half this way. If your spore syringe is just a 'little' dirty, this will give you second chance to grow more mushrooms and prepare a cleaner spore syringe.

Disadvantages:

It will take significantly longer for the jar to become 100% colonized.

[Back to preparation and colonization of substrate.](#)

[Back to table of contents.](#)

Adaptation-5: Large amounts of Inoculate.

You can speed up the colonization of a jar dramatically by simply injecting the substrate material with more inoculate.

If you inject 1 cc of inoculate at each site, you will get many germination's and the cake will colonize significantly faster. You should place the beveled side of the syringe needle against the glass so that the inoculate is coming out of the syringe and heading towards the glass. It should form a thin puddle of liquid between the glass and the substrate. 1 cc of inoculate should produce a puddle several inches in diameter.

Advantage:

Normally, people want the substrate to colonize as quickly as possible. This will help accomplish that goal. Also, the sooner and more fully the cake gets colonized, the less chance there is that contamination will get a foot hold and destroy the cake.

Disadvantages:

This adaptation requires extra inoculate. If you are producing your own spore syringes it is not a factor. A single spore print can produce many (close to 50) spore syringes. If you are purchasing your spore syringes, you may wish to wait the few extra days to avoid the extra cost of using more inoculate.

[Back to preparation and colonization of substrate.](#)

[Back to table of contents.](#)

Adaptation-6: 80 Degree Colonization Temperature

The culture jars can be colonized at a temperature higher than room temperature. 80 Degrees F. is ideal. Slightly higher is OK.

There are several easy ways to accomplish this. If you have a floor heater with a pilot light and it is summer time (so the heat is not going to come on), you might be able to put the cakes in a shoe box and set them on the unit. The top of your water heater might be a good candidate. You can fill a cake pan half way with water and put a submersible fish tank heater in the water set to 80 degrees. Then simply put the jars in the cake pan.

However you choose to do this, make sure the temperature does not get above 90 degrees. Check out the heat source before you subject your cakes to it.

Advantage:

Colonizing the substrate at 80 degrees F. is the ideal temperature for several reasons. First, the mycelium will grow faster and the substrate will be colonized in the shortest amount of time. Secondly, when the cakes are removed from the jars, initiation of fruiting is enhanced by shocking the cakes with a temperature drop, lower CO2 levels, and light.

If you plan to have your terrarium at normal room temperature, then colonizing at 80 degrees will help you initiate a massive flush of mushrooms when you place your cakes in the terrarium.

Disadvantages:

None.

[Back to preparation and colonization of substrate.](#)

[Back to table of contents.](#)

Adaptation-7: More Oxygen for Colonization

The culture jars can be given more oxygen during colonization. This is done by inverting the jars so that the lid is down.

Advantage:

As the CO2 builds up, growth of the fungus slows down. Indeed, the mycelium benefits from increased CO2 during its vegetative growth stage, but eventually it gets too high for optimum growth. If you invert the jars, the CO2 can drain out and is replaced by fresh air. This will speed the colonization of the substrate.

Disadvantages:

There are several disadvantages to this. First, the rice cakes normally shrink a little bit while in the jars and when you invert the jars they will slide down a little bit. This will create a vacuum and pull some air into the jar. This air could have contaminants that get a foot hold in the uncolonized portions of the cake.

The second reason you will want to avoid doing this is the initiating of the fruiting process is triggered by three things. A drop in temperature, a drop in the CO2 level and light. You may confuse the fungus and inhibit a massive flush when you take the cake out of the jar. You will still get a crop, but it may take longer to consume the cake.

[Back to preparation and colonization of substrate.](#)

[Back to table of contents.](#)

Adaptation-8: Taking the Rice Cake Out of the Jar Before it is 100% Colonized

The partially colonized substrate can be removed from the jar if the uncolonized portions of it are cauterized. Remove the cake from the jar and heat a nail head red hot using a propane torch or burner on a gas stove. Brand the entire uncolonized area.

Advantage:

Nothing will grow on the uncolonized, cauterized portions of the rice cakes. If you need to remove a cake early from the jar this will keep contamination from having a place to get a foot hold. There are very few good reasons to exercise this adaptation. The reason the authors have included it is sometimes growing cycles overlap and you want to start a new culture in every jar you have. If you birth the rice cake early, you have an extra jar to prepare cultures in. One other reason for doing this is travel. If your leaving on a trip (one where you will be out of town) and your cake will be overly colonized by the time you get back, you can use this adaptation to birth the cake early and move it to the terrarium.

Disadvantages:

This is dangerous. It is asking for trouble. First, you are assuming that you can inhibit growth of contaminants on the uncolonized portion of the cake. The bigger the area that is uncolonized, the more risky this assumption is.

Secondly, the process assumes that when the cake is removed from the jar it has sufficient networks in place to provide the nutrition needed for the fruiting process. If you take the cake out too early, this may not be the case.

[Back to preparation and colonization of substrate.](#)

[Back to table of contents.](#)

Adaptation-9: Waiting to Remove Rice Cake From the Jar

The colonized substrate does not need to be removed from the culture jar immediately after it is 100% colonized. You can wait until primordia form on the substrate.

Advantage:

There are a number of reasons why you might want to delay the 'birthday' of the rice cake. You may not have room in the terrarium or be planning a trip where you won't be around to maintain the terrarium. Also, waiting gives the mycelium more time to fully develop its network throughout the substrate and can result in larger flushes.

Disadvantages:

The continued development of the mycelium network will take place at a slower rate in the jar than it would with lots of oxygen available.

[Back to preparation and colonization of substrate.](#)

[Back to table of contents.](#)

Adaptation-10: Checking Out Terrarium Prior to Removing Rice Cake

The terrarium and its life support systems can be checked out prior to removing a rice cake from the culture jar. Make sure everything is 100% functional before removing the rice cake from the jar.

Advantage:

If you have any problems, you get a chance to fix them before you destroy a rice cake.

Disadvantages:

None.

[Back to preparation and colonization of substrate.](#)

[Back to table of contents.](#)

Adaptation-11: Use of a Coleman Cooler instead of a Styrofoam Cooler

A fancy, nicer, plastic cooler can be used instead of a Styrofoam cooler.

Advantage:

The nicer, plastic coolers typically have more space in them so they can hold more rice cakes. Also, it is nice to have a cooler with a hinged top that simply flips up and allows access easily. Lastly, the plastic coolers are more durable than Styrofoam coolers. If you plan to use the terrarium a lot, go ahead and use a plastic cooler from the start.

Disadvantages:

Cost is one disadvantage. Another disadvantage is the plastic coolers are more difficult to modify for use as a growing chamber than the Styrofoam coolers.

[Back to construction of basic growing chamber.](#)

[Back to table of contents.](#)

Adaptation-12: Adding a Humidity Gauge to the Terrarium

A humidity gauge can be added to the terrarium. Especially for Styrofoam coolers, it is easy to cut out a window in the side of the cooler and insert a combination humidity/temperature gauge. The gauge should be put below the drip shield so that it is showing the actual conditions where the mushrooms are growing. In reality, the conditions will not vary much inside the terrarium, but there is no reason to add inaccuracy. The gauge can be glued in place with silicon glue. Make sure the vents in the gauge are only open to the inside of the terrarium and not the outside world. The combination gauge can be got very inexpensively at any department store.

Check all the gauges on the shelf. Most likely, some will deviate greatly from the rest. You want to pick one that seems to be accurate! Bare in mind that usually there are several different brands of gauges available. Check and see what various gauges from different brands are reading. Use some common sense to eliminate the obviously inaccurate gauges. Even so, you are making the assumption that at the high end of the humidity spectrum the chosen gauge will be accurate. Remember that absolute accuracy is not so important as knowing the relative conditions inside you terrarium over time. Even if you gauge is off a little bit, it will tend to be off in the same direction all the time. The easiest way to use a gauge during the growing process is to know what it used to read during previous growing cycles and keeping close to that reading. If a problem does develop, it will provide a clue which direction you need to move.

Advantage:

A humidity gauge is very helpful during the growing cycle, but it takes up valuable real-estate inside the terrarium. This gets it out of the way inside the terrarium and makes it easy to see the state of the terrarium with out messing around inside the terrarium.

Disadvantages:

None.

[Back to construction of basic growing](#)

[Back to table of contents.](#)

Adaptation-13: Use of Fish Tank Heater to Raise Humidity.

If you are using the fish tank bubbler system to create humidity in your terrarium, you can use a submersible fish tank heater to help raise the humidity. You can place the fish tank heater in the water and use it to raise the water's temperature 10 or 15 degrees F. over ambient. This will make it easier for the air bubbling through the water to absorb moisture, thus raising the humidity. The higher you set the temperature of the heater, the more humidity you can get. You should be careful not to allow the inside temperature of the terrarium to get above 80 degrees F. In order to effectively use this adaptation, your terrarium will need to be in a cool location.

Advantage:

You will be able to generate an extra 5% of humidity over ambient by using this adaptation.

Disadvantages:

You will increase the temperature inside your terrarium some by doing this. You can minimize the

temperature increase by using a container to hold the water that is well insulated. You want the water warm, but you don't want heat leaking any more than necessary into the terrarium.

[Back to Method 2, Using a Fish Tank Bubbler.](#)

[Back to table of contents.](#)

Adaptation-14: Use of Angel Hair to Raise Humidity.

If you are using the fish tank bubbler system to create humidity in your terrarium, you can place angel hair or anything else that will slow the bubbles rise in the water container. Simply pack it into the container. This will increase humidity by several percent. Ideally, you want to slow the bubbles but also split them into smaller bubbles. Some plastic versions of steel wool for use washing dishes work well. Steel wool would work well except that it will rust and get nasty.

Advantage:

You will be able to generate an extra 1% or 2% of humidity over ambient by using this adaptation. The smaller the bubbles are and the more time they spend in the water, the greater the benefit.

Disadvantages:

None.

[Back to Method 2, Using a Fish Tank Bubbler](#)

[Back to table of contents.](#)

Adaptation-15: Supporting Extra Terrariums with the Ultra Sonic Humidifier

First, build an extra Growing Chamber. Then on one of the 2 liter coke bottles, poke an extra hole. Insert a grommet and make this bottle the last stage for drying the air. Even the most basic ultra sonic humidifier can feed more than one terrarium with sufficient quantities of humid air to keep everything in the ideal range for the fungus.

Advantage:

You get twice the growing area for your mushrooms. Your crops can be twice as big. Alternatively, you can use one terrarium for older cakes. Older cakes are significantly more likely to become contaminated and pose a threat to the other cakes in the terrarium. Moving older cakes to the second terrarium drastically reduces your chances of a crop failure.

Disadvantages:

You need to build an extra Growing Chamber, and it takes up a little space.

[Back to construction of Ultra Sonic support system.](#)

[Back to table of contents.](#)

Adaptation-16: Use of an Ice-Pak to Initiate Fruiting.

You can keep the terrarium's temperature between 80 and 95 degrees F. If you have a terrarium setup that uses an ultra sonic humidifier, you can place a reusable, frozen Ice-Pak in the Terrarium. This will cool everything down and let the rice cakes slowly shift through the fruiting temperature range. Note that everything else must be right. The rice cake must have a fully developed mycelium network and there must be light. The Ice-Pak should be placed between 1/4 and 1/2 inch from the rice cakes. A flat Ice-Pak will work, but if you have the option, get one that is designed to slip into the center of a six-pak. It will have circular indents molded into each side and it will conform to the shape of the rice cakes better. If everything was ready, you should see pin heads develop 3 or 4 days after you perform this adaptation. If you don't see any develop after 3 or 4 days, you can repeat this operation again. The networks may not have been developed full enough and the few days since the last attempt may have been enough time to change this fact.

Advantage:

You can still initiate prolific flushes with the terrarium above the normal temperature range. The optimum temperature for growing mushrooms is higher than what is necessary to initiate new mushrooms and is between 80 and 90 degrees F. This adaptation can let the cultivator grow at the maximum rate, and still produce new mushrooms on the cakes.

Disadvantages:

The Ice-Pak will lower the humidity in the terrarium. Mostly, this is an issue when you have mushrooms on cakes that are part way through the growing cycle and not ready to harvest. They will usually survive the bad growing conditions for the six hours it takes the Ice-Pak to initiate fruiting, but they will suffer for it. You need to have an ultra sonic humidifier setup on your terrarium. Nothing else will be able to keep the humidity high enough. You can turn the humidity control up a little, but you will have to continue to adjust it down as the Ice-Pak loses its cool. If too much moisture forms on the cakes, it will prevent the

initiation of pin heads and that was the whole purpose of this operation.

[Back to the Growing Cycle.](#)

[Back to table of contents.](#)

Adaptation-17: Adding Moisture to the Rice Cake.

After a cake has produced several mushrooms you can add moisture to it. Flame sterilize a 3/16 inch drill bit. Let it cool. Use it to drill a hole at the center of the cake. You can do this by hand. You do not need a drill. Do not go all the way through the cake, but drill a deep reservoir into the cake. Cut a plastic straw to 4 inches in length. Insert the straw 1/2 inch into the hole. The straw should fit tightly in the cake. Straws from McDonalds are larger than most and work well. They seal well and hold more water. Fill the straw with water daily. A 10 cc. syringe works well to fill the straws with water. You should wait to drill the hole until the cake has produced some mushrooms because the inside of the rice cake is not colonized as quickly as the outside. Also, there is sufficient moisture in the cake at the start so there is no need to add water immediately.

Advantage:

The rice cake will produce many more mushrooms than it would have without adding moisture. Using this adaptation allows the nutrients in the rice cake to be almost totally consumed before the cake is exhausted.

Disadvantages:

Care should be taken when drilling the hole because there is no way to monitor for contamination inside the hole. Also, you will need to add water on a daily basis.

[Back to Growing Cycle.](#)

[Back to table of contents.](#)

Adaptation-18: Continued Drying of Mushrooms During Storage

You can place a small glass with a small amount of desiccant in the long term storage bag to continue to extract moisture from the mushrooms. A shot glass with 3/4 of an ounce of desiccant is sufficient to keep the humidity very low in the long term storage bag. A larger glass that is more stable might be a better choice in order to avoid an accident of spilling the desiccant inside the bag.

Advantage:

The mushrooms will continue to dry and their preservation is enhanced.

Disadvantages:

You will need to be careful not to knock the glass over and spill desiccant in the storage bag.

[Back to Drying and Preservation of Mushrooms.](#)

[Back to table of contents.](#)

Adaptation-19: Reducing Output Of Ultra Sonic Humidifier

The output of the ultra sonic humidifier can be reduced by changing the circuitry. Almost all ultra sonic humidifiers use a 5 K-ohm or 10 K-ohm potentiometer to control the output. By adding a 5 K-ohm or 10 K-ohm resistor in series with the potentiometer, the original 'low' setting becomes the new 'high' setting. The humidity output can be turned down even lower than originally possible. Simply cut the wire going to the potentiometer and solder a similar sized resistor (available at Radio Shack) in series. You may need to set the humidity control above the minimum setting once you make this modification.

Note that this adaptation is mutually exclusive with Adaptation-21. If you try to combine them, it won't work.

Advantage:

This drastically reduces the suspended water particles emitted by the humidifier. However, the big advantage is that the humidifier uses significantly less water. It is possible to fill up the humidifier and leave on a trip for 10 days without having to add water.

Disadvantages:

Complexity is the major disadvantage. The above instructions are deliberately technical. If reading them doesn't give you enough information, don't attempt to do this. Find someone to help you. It is very easy and straight forward for someone that is handy with a soldering iron to accomplish.

[Back to Method 3 of Terrarium Construction.](#)

[Back to table of contents.](#)

Adaptation-20: Providing a Moisture Reservoir in the Substrate

This idea is from 'Flashback Nash'. He is a Chemical Engineering student in South Africa. He basically believes bigger is better! When it comes to efficiency in growing shrooms, we definitely agree and thank him for his contribution. His email address is : rjn@chemeng.uct.ac.za

A reservoir for moisture can be built into the cake while packing the jars with substrate material. Start with an empty jar and tamp 1/4 inch of substrate material in the bottom. Next, position a magic marker or some other object with a cylindrical shape and a diameter of about 3/4 inch in the center of the jar. Fill the jar as normal. Next, remove the object and fill the bore with damp vermiculite. Lastly, pack 1/4 inch of substrate material over the entire jar, sealing the damp vermiculite inside the cake.

The damp vermiculite can be mixed separately from the substrate material. Use about 1 cup of vermiculite and 1/3 cup of water. This should produce enough damp vermiculite for a dozen 1/2 pint culture jars.

After the cake has fruited, occasionally inject water into this reservoir. The easiest place to inject is the position of the cake that used to be at the center of the bottom of the jar. Just insert a syringe filled with sterile water and inject water until it is full.

In case you are wondering, the substrate material can't be injected with water directly. The rice flour and vermiculite form a very tight seal and it is next to impossible to inject water. Even if you do manage to inject water, it doesn't spread through the cake. Having this reservoir filled with damp vermiculite gives the mycelium network access to a lot of moisture.

The easiest way we have found to implement this adaptation is to cut the bottom off of a 10 cc syringe and press the bottom of the syringe into the wet vermiculite several times. This will load the syringe with wet vermiculite. Then place the syringe in the culture jar and pack the substrate around it. Use the syringe's plunger to hold the wet vermiculite stationary while you remove the syringe. Tamp an additional 1/4 inch of substrate material over the entire surface of the jar.

Advantage:

This adaptation will dramatically extend the longevity of the cake. The cake's yield are normally limited by the amount of moisture in the cake. This procedure allows you to replace moisture as it is consumed by mushroom growth. In general, you will double the total output of the cake compared to not implementing this adaptation.

Disadvantages:

It is a little bit of extra work to prepare the jars this way. Also, there is a need to be careful to use sterile water when injecting moisture during the growing phase. There is no way to check for contamination introduced inside the cake by injecting water.

[Back to preparation and colonization](#)

[Back to table of contents.](#)

Adaptation-21: Use of a Timer to Control Suspended Water Droplets

The ultra sonic humidifier can be placed on a timer to control the amount of suspended water droplets that are released into the terrarium. You need to use a timer that can be controlled on a minute by minute basis. Most timers available in department stores only give you a granularity of 1 hour for deciding how long the duty cycle is. This will not work. You need a timer that gives you minute by minute control. Radio Shack sells a suitable timer for about \$30. Simply plug the humidifier into the timer and set the timer for 2 minutes on, 20 minutes off initially. Depending on your humidifier and terrarium you can vary the duty cycle to achieve high humidity without excessive water droplets forming on the rice cakes. A few small water Droplets on the rice cakes won't hurt you, but the less you have the better. Any place there is a water droplet is more susceptible to contamination and no new mushrooms can initiate there.

Note that this adaptation is mutually exclusive with Adaptation-19. Besides the fact that there is no need to implement Adaptation-19 if you use a suitable timer, it won't work.

Advantage:

There are several advantages to using a timer.

- No drying stages are needed for the humidifier. The output can be piped directly into the terrarium.
- Finer control of the humidity inside the terrarium is possible.
- Water consumption by the humidifier is automatically reduced making unattended operation possible.

Disadvantages:

Cost and availability are the major disadvantages.

[Back to Building Terrarium with ultra-sonic humidifier.](#)

[Back to table of contents.](#)

Adaptation-22: Use of a Home Made Brown Rice Flour

This idea is from: AN165023@anon.penet.fi

Rather than use brown rice flour available at a health food store, you can grind your own from brown rice. Simply put the dried rice into a coffee grinder and let it chew the rice into a chunky flour. You will need to increase the water from 1/4 cup per 1/2 pint jar by 1 and 1/2 tablespoons. The chunky home ground flour absorbs a little more water than the normal flour.

Advantage:

Cost is one benefit, but that is not the reason this adaptation is useful. Using home ground flour will speed the colonization of the substrate. It has been reported that a 1/2 pint jar can be 100% colonized in 11 days if fresh spores are used and the jar is kept at 85 degrees F. during colonization. Note that this is the current record, and most jars will take a bit longer but overall, the colonization time period is reduced.

Disadvantages:

Extra effort.

[Back to preparation and colonization of substrate.](#)

[Back to table of contents.](#)

Adaptation-23: Lowering the Contamination Rate

The raw ingredients of the substrate can be sterilized separately to eliminate nearly all of the contaminants. Spread the vermiculite and rice flour evenly into separate cake pans and bake in a preheated oven at 300 degrees F. for 20 minutes. While these are baking, boil a large bowl of water in for 10 or 15 minutes. Use these materials to mix the substrate. It is still necessary to sterilize the jars filled with substrate.

Advantage:

Nearly all of the possible contaminants in the raw materials will be eliminated. The sterilization of the mixed substrate will be much more guaranteed. You should experience a lower contamination rate. This adaptation is particularly useful if you are not using a pressure cooker to sterilize the culture jars. Boiling the culture jars only gets them up to a temperature of 212 degrees F. This provides an opportunity to eliminate contaminants that require a higher temperature to kill them.

Disadvantages:

Extra time and effort.

[Back to preparation and colonization of substrate.](#)

[Back to table of contents.](#)

Future Optimization:

Optimization goes here...

Advantage:

Advantages go here...

Disadvantages:

Disadvantages go here...

[link-1.](#)

[link-2.](#)

You are reading this document at the [Sputnik Drug Information Zone](#). For more information on growing magic mushrooms, check out our [Shroom Pages](#).